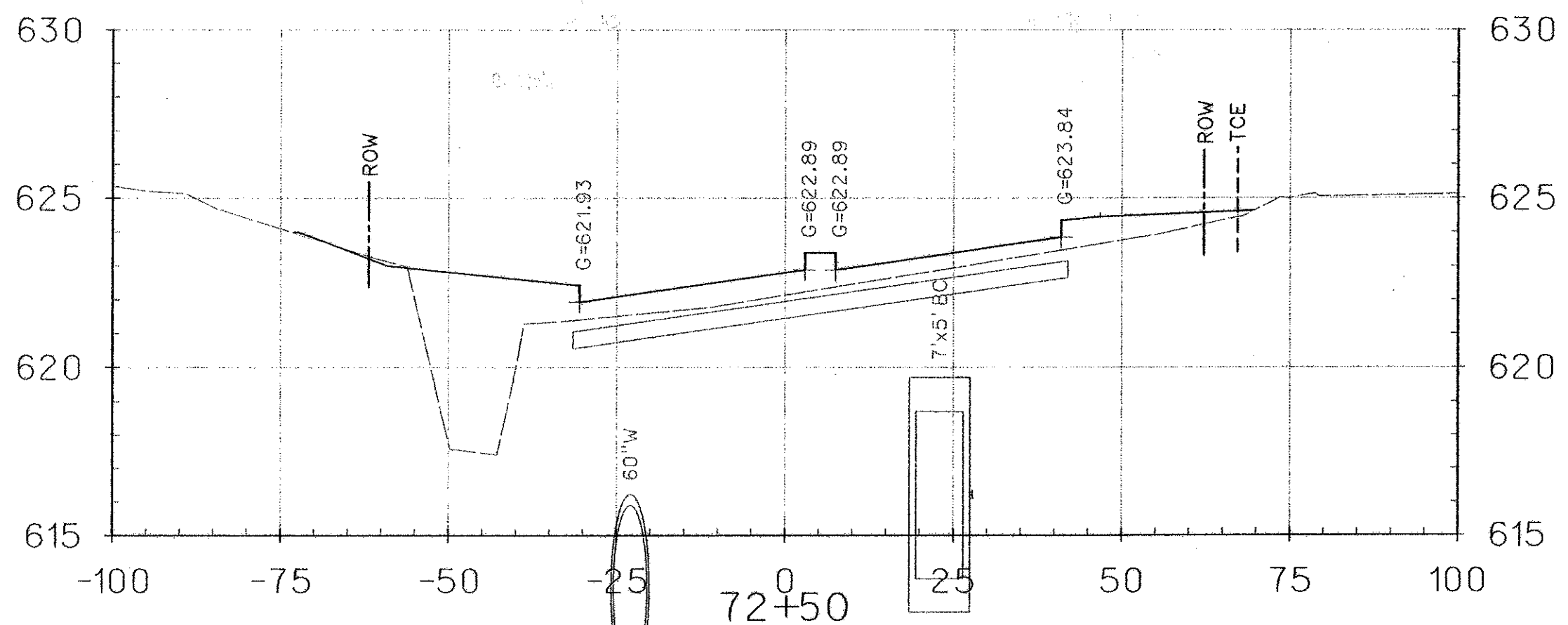
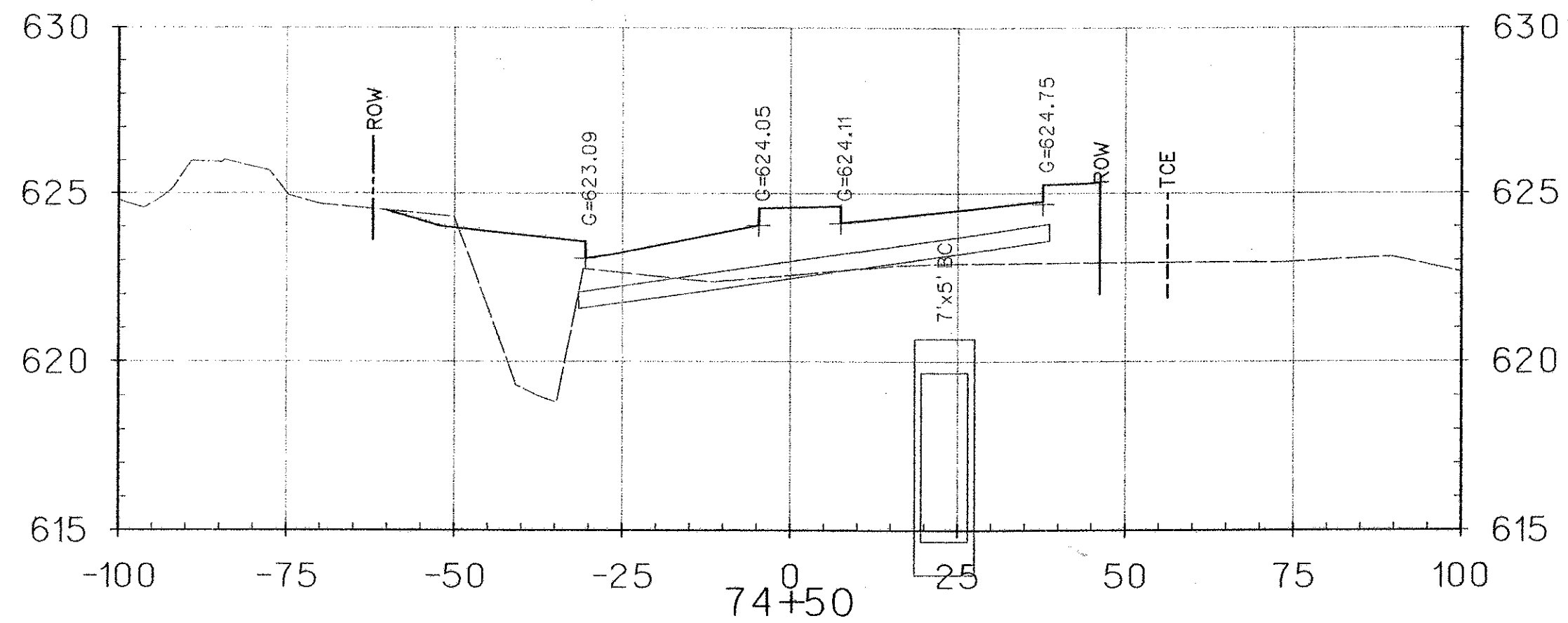
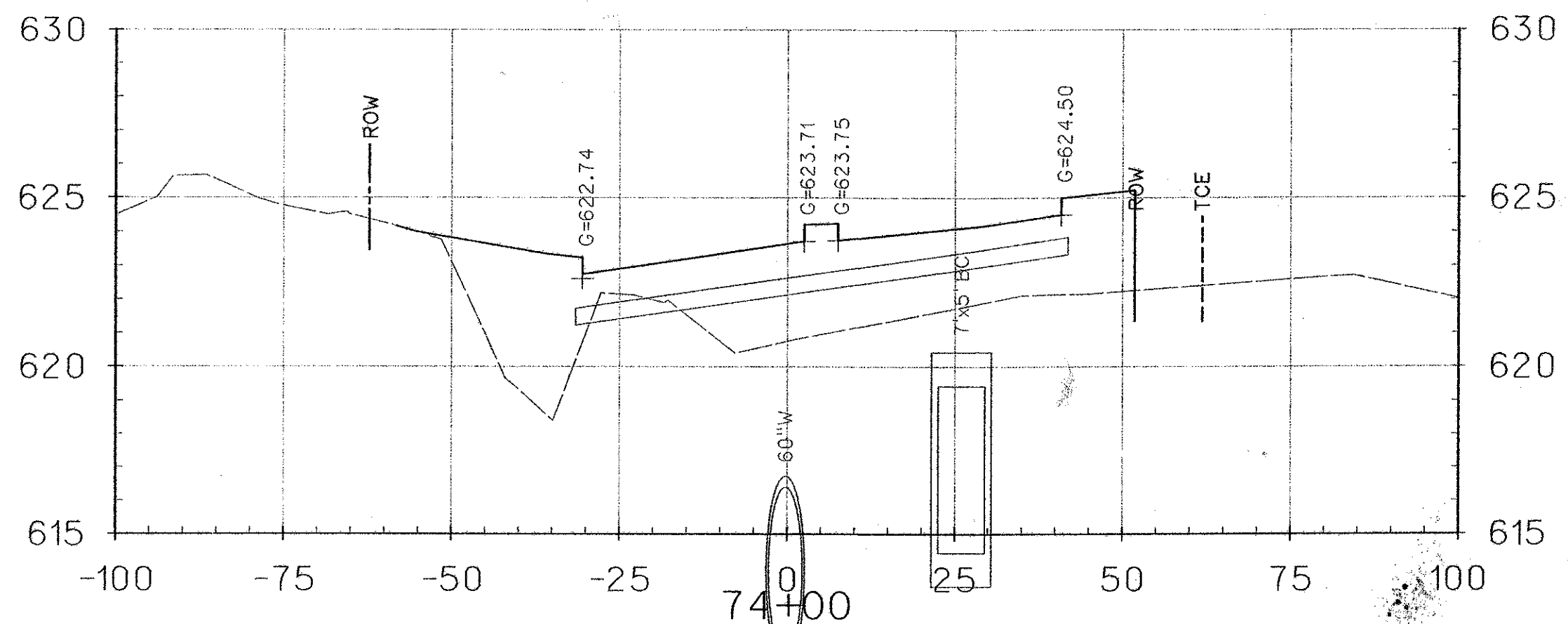


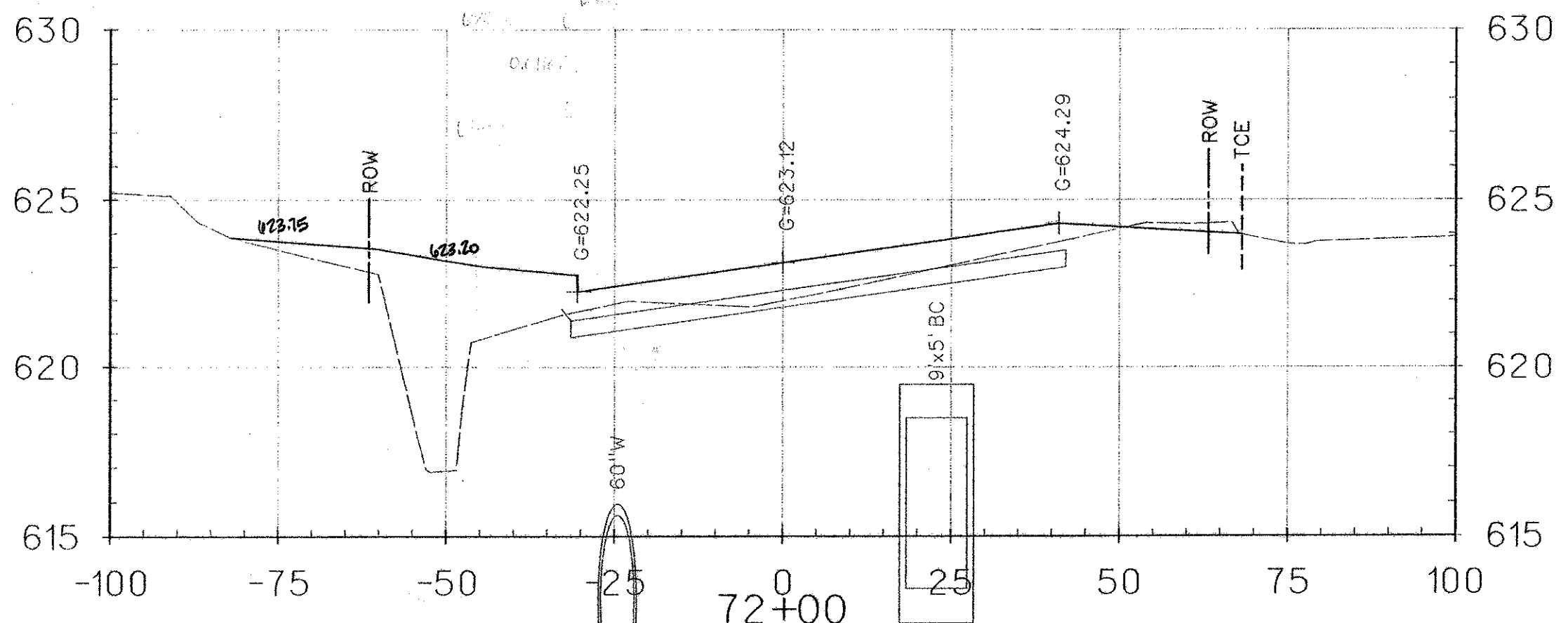
FL 611.17



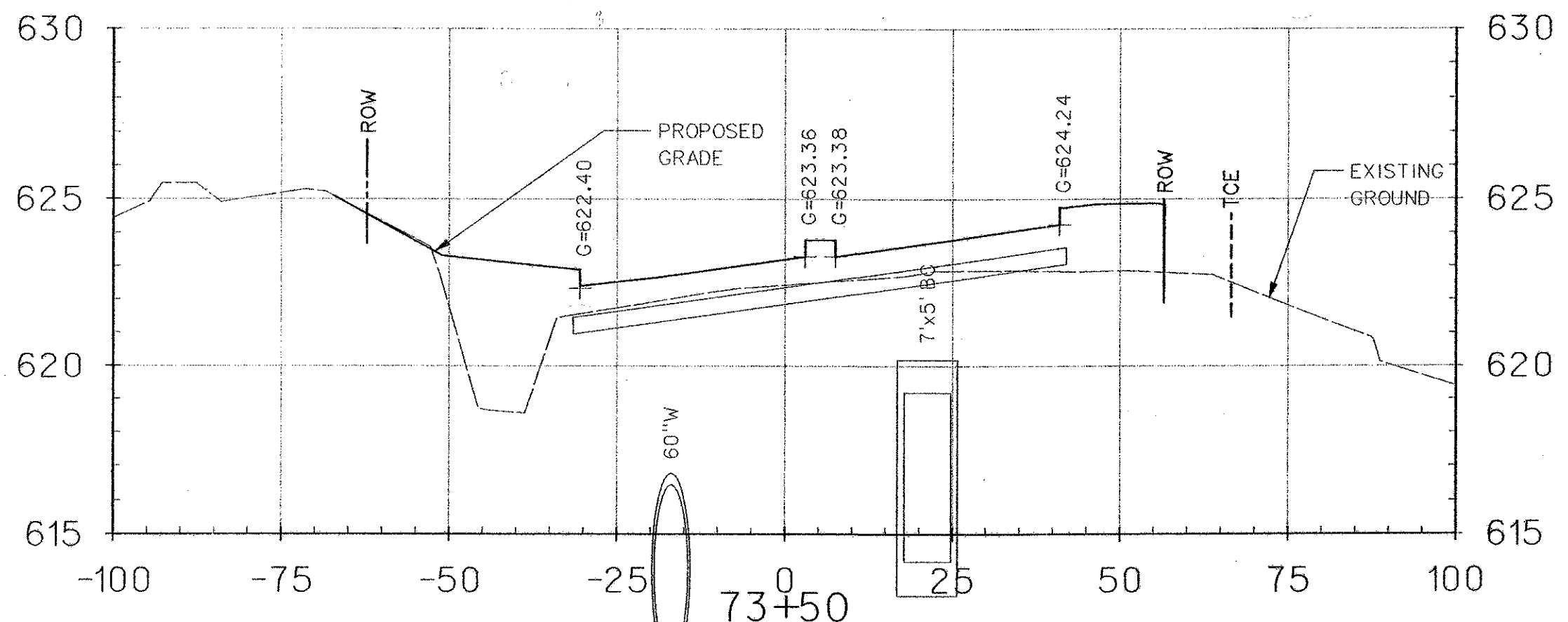
FL 610.89



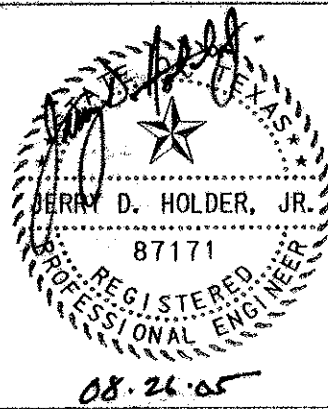
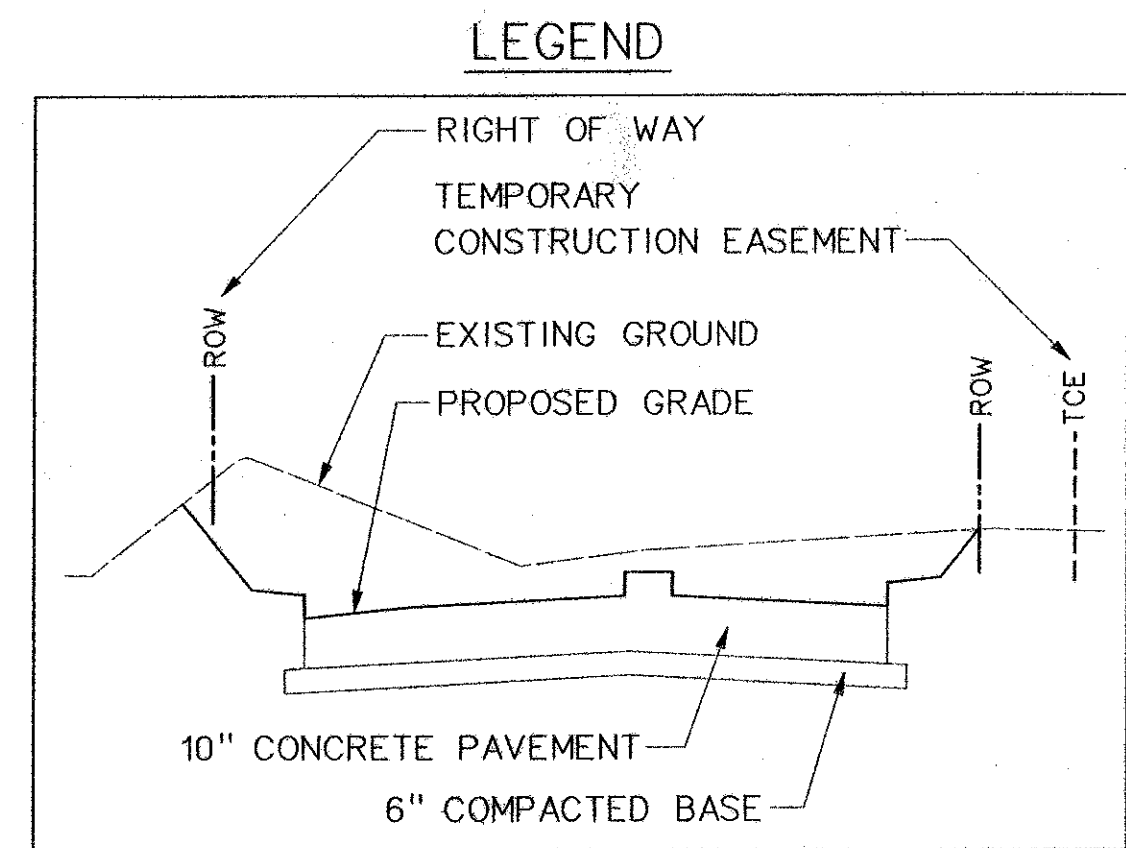
FL 611.40



FL 610.62



FL 611.44



1	8/22/05	REVISED CROSS SECTIONS	147
			JDH
NO.	DATE	REVISION	APPROV.
<b>HNTB</b> ARCHITECTS ENGINEERS PLANNERS The HNTB Companies			
<b>ARAPAHO ROAD - PHASE III</b>			
SURVEYOR BOULEVARD TO ADDISON ROAD			
CROSS SECTIONS			
SHEET 24 OF 29			
TOWN OF ADDISON, TEXAS			
Design JSN	Drawn GFS	DATE	SCALE
Check JDH	Check JSN	APRIL 04	1" = 20' H 1" = 4' V
PROJECT NO.	SHEET NO.		
25768	XS-24		