

ELECTRICAL SERVICES NOTES:

All work, materials, services, and incidentals, whether or not specifically shown on the plans, which may be necessary for a complete and proper electrical service installation as specified in the plans to obtain electrical power (except extending primary lines to electrical service) shall be paid for, performed, furnished and installed by the Contractor. The Contractor shall contact the Utility for metering and shall comply with all Utility requirements.

Primary line extensions, when required, shall be paid for under Force Account work. The Contractor shall consult with the appropriate Utility to determine costs and requirements, and shall coordinate the Utility's work as approved by the Engineer. The contractor shall be reimbursed only the amount billed by the Utility. No additional amount for supervision of the Utility's work will be paid.

Materials shall be new and unused, materials and installation shall comply with the applicable provisions of the National Electrical Code (NEC) and National Electrical Manufacturers Association (NEMA) standards and shall be Underwriters Laboratories (UL) Listed. Electrical Service conduits, conductors, disconnects, contactors, circuit breaker panel sizes, and branch circuit breakers, shall be as shown in the Electrical Service Data elsewhere in the plans. Faulty fabrication or poor workmanship in any material, equipment, or installation shall be justification for rejection.

The Contractor shall submit for approval no less than six (6) copies of catalog cut sheets on electrical service materials. Submittals shall be legible and shall be marked to indicate which product on a cut-sheet is to be supplied. Where manufacturer's provide warranties and guarantees as a customary trade practice, Contractor shall furnish to the State such warranties or guarantees.

The Contractor shall provide locks keyed with Master #2195 for all lockable electrical enclosures. Unless otherwise approved by the Town, enclosures shall not be energized until locks are provided and all bolts are installed.

Circuit directories, where provided, shall be filled out. All breakers and components in shop built panels and enclosures shall be labeled with duo-colored plastic labels. Color shall be white letters with red background. Letters shall be a minimum 3/8" in height.

Enclosures with external disconnects that de-energize all equipment inside the enclosure, need not have dead front trim, except that incoming line terminations shall be protected from incidental contact.

Stainless steel nuts, screws, bolts and miscellaneous hardware may be used when galvanized is specified. All wiring and components shall be rated for 75 degrees C. Minimum size for service entrance conductors shall be #6XHHW.

I. Safety Switch. A safety switch, placed ahead of the meter, shall only be used when specified by the Utility and when shown on the Electrical Service Data. The switch shall be UL Listed, heavy duty type, 600 volt, unfused, with a UL type 3R enclosure and equipped with a solid neutral (s/n) assembly. The switch shall be padlockable in the "on" position.

II. Service Type. Electrical service types A, C, D, and T shall be as schematically detailed on TS-8 or TS-9. Other service types shall be as detailed elsewhere on the plans.

III. Branch Circuit Breakers. Circuit breakers shall be thermal magnetic and have a minimum interrupting capacity of 10,000 amps and a voltage rating compatible with their use. Circuit breakers shall be sized as shown in the electrical service data. Circuit breakers in panelboards and load centers shall be full size and designed exclusively for the panelboard or load center in use. Tandem and half-width breakers shall not be used. All circuit breakers shall be permanently and clearly marked identifying the circuit or device attached. Circuit breakers shall be UL Listed to UL489.

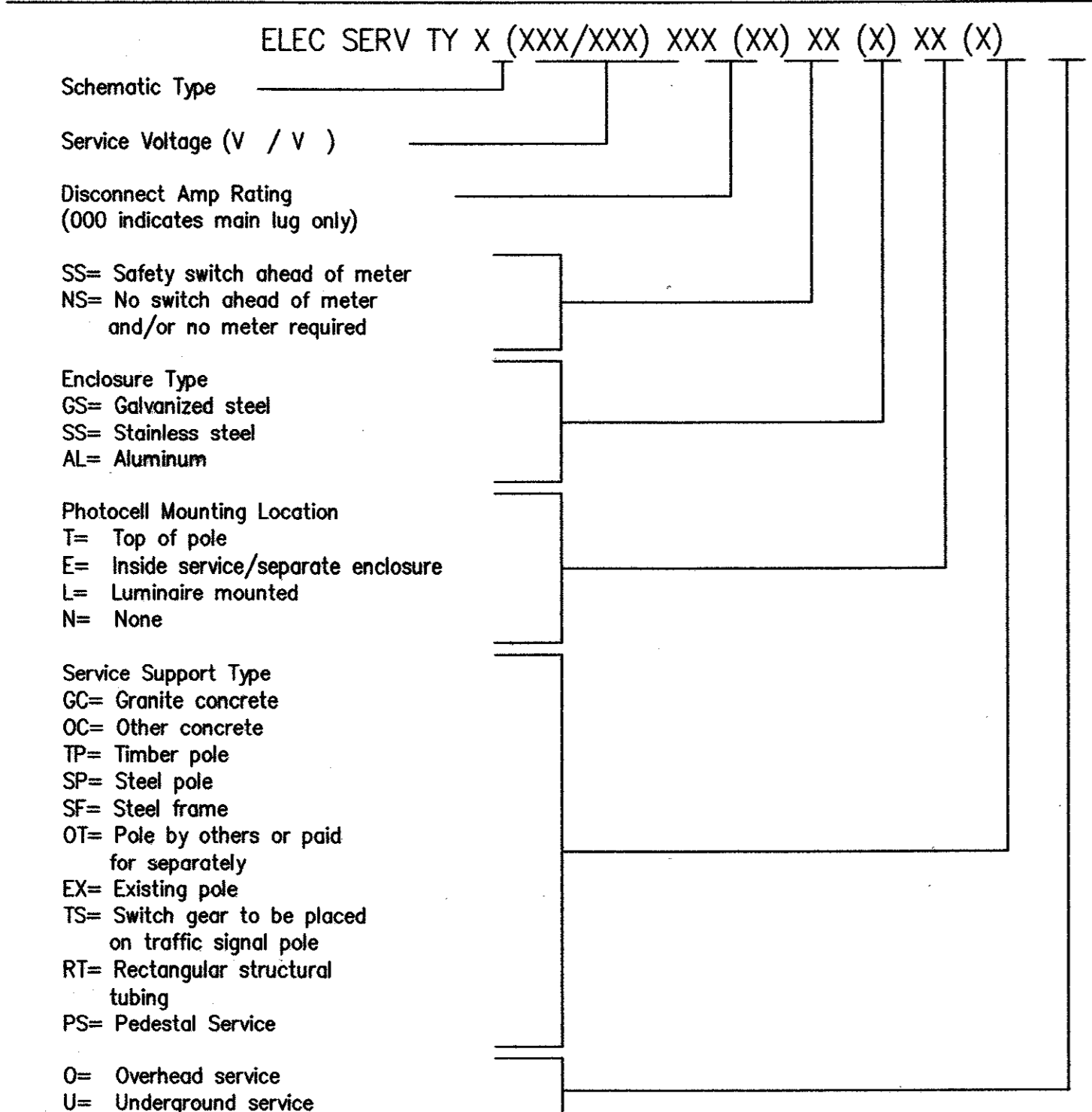
IV. Circuit Breaker Panelboard. Panelboards shall be UL Listed and shall meet Federal Specification W-P-115b, Type 1, Class 1 requirements. Panelboards shall have copper busses, a minimum of 6 one-pole spaces or as required in the electrical service data, and when required will be rated for service equipment. Enclosure shall meet UL type 3R classification. Panelboards shall have a threaded hub conduit entry for conduit entering the top of the enclosure. Circuit breakers shall be bolt-in type only.

V. Circuit Breaker Load Center. Load centers shall be UL Listed, and shall meet Federal Specification W-P-115c, Type 1, Class 2 requirements. Load centers shall have copper busses, a minimum of 4 one-pole spaces, and shall be rated for service equipment. Enclosure shall meet UL type 3R classification. Load centers shall have a threaded hub conduit entry for conduit entering the top of the enclosure. Circuit breakers shall be plug-in type only. Load centers for type T services shall accommodate a maximum of 6 one-pole breakers.

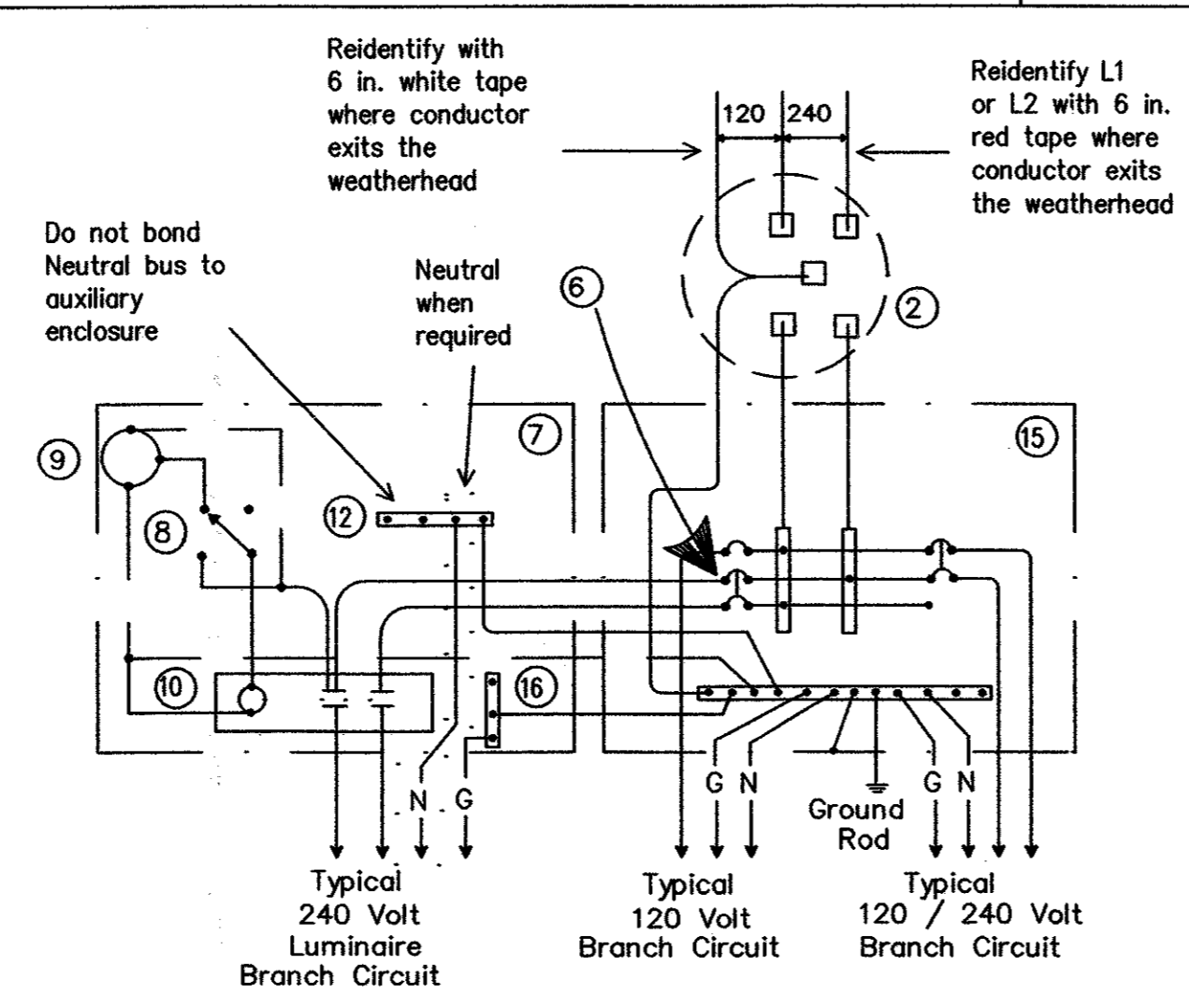
VI. Separate or Auxiliary Enclosure. Separate enclosures for HOA, photocell and lighting contactors for types D & T Services shall be a UL Listed assembly and shall have dead front trim. HOA switch operator shall extend through the dead front trim. Photocell shall be mounted inside the enclosure as described in paragraph XIII, when required by descriptive code. Separate enclosures shall meet the construction requirements of paragraph VII. E. except that separate enclosure shall not have external operating handle, need not have a data pocket and door may latch at only one point. Contractor may install all equipment in one enclosure instead of two, when approved by the Engineer.

VII. Where a Type D or T service is provided, laminated "as built" drawings are required as shown on TS-9 VIII E; shall be delivered before completion of the work, to the Engineer in lieu of placement within these smaller enclosures. Conduit may not enter the back wall of a service enclosure penetrating the equipment mounting panel. Provide grounding bushings on all metal conduits, terminate bonding jumper to grounding bus. Grounding bushing is not required when the end of the metal conduit is fitted with a conduit sealing hub or threaded boss such as a meter base.

EXPLANATION OF ELECTRICAL SERVICE DESCRIPTIVE CODE



Example: ELEC SERV TY D(120/240)070(NS)GS(T)TP(O)

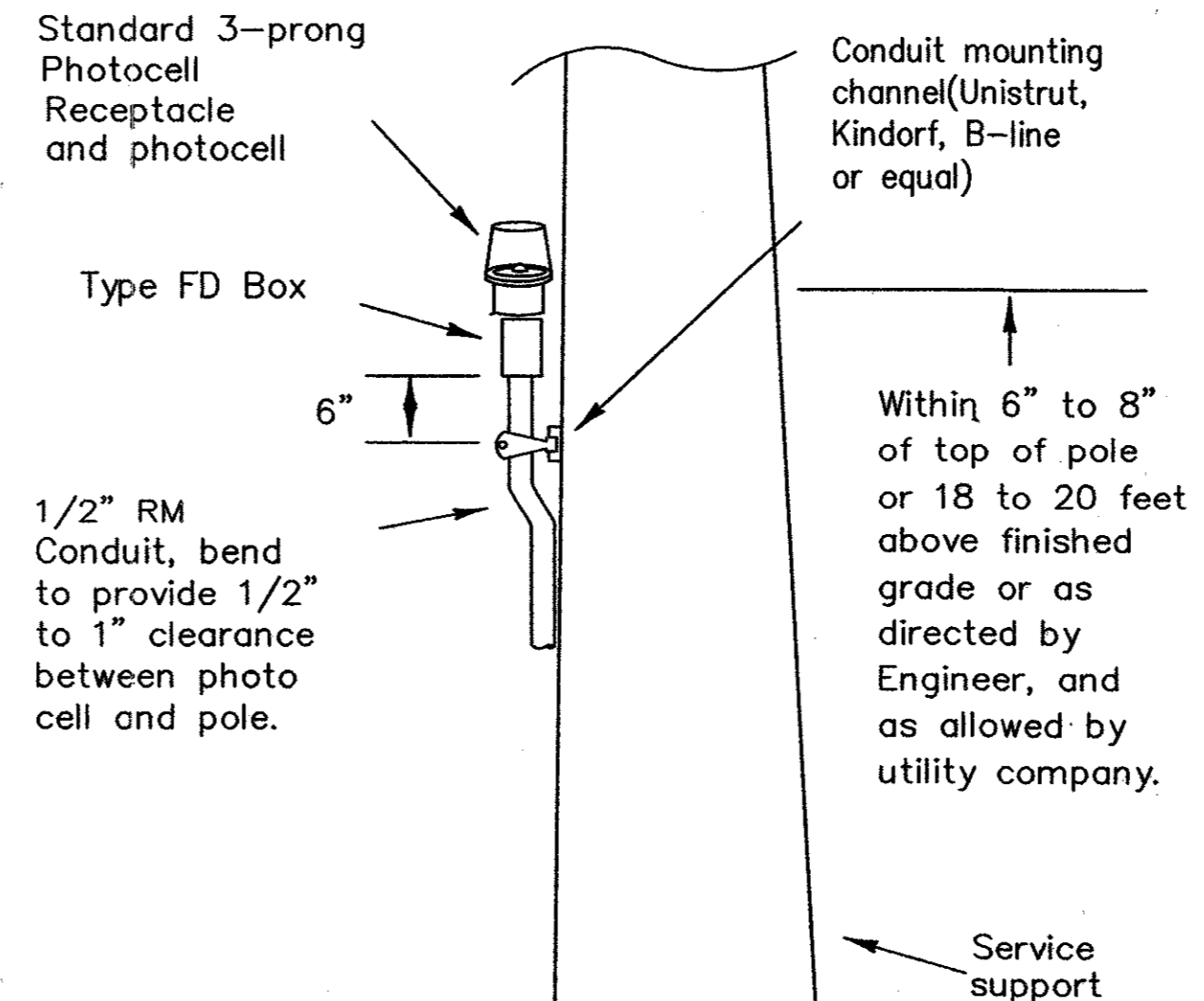


SCHMATIC TYPE T
120/240 VOLTS -THREE WIRE
Install photocell and lighting contactor when shown on Electrical Service Data.

- SCHMATIC LEGEND**
- 1 - omitted
 - 2 - Meter (when required)
 - 3 - Service Assembly Enclosure
 - 4 - Main Disconnect Breaker (See Electrical Service Data)
 - 5 - omitted
 - 6 - Circuit Breaker, 15A typical and max. for control circuit wiring
 - 7 - Auxiliary Enclosure
 - 8 - Control Station ("H-O-A" Switch)
 - 9 - Photo Electric Control (enclosure-mounted shown)
 - 10 - Lighting Contactor
 - 11 - Power Distribution Terminal Blocks
 - 12 - Neutral Bus required when 120 v. lights are controlled by lighting contactor
 - 13 - Branch Circuit Breaker (See Electrical Service Data)
 - 14 - Circuit Breaker Panelboard (See Electrical Service Data)
 - 15 - Load Center
 - 16 - Ground Bus
- Power Wiring
— Control Wiring
— N — Neutral Conductor (when required-to serve 120 v. loads only)
— G — Equipment grounding conductor—always required

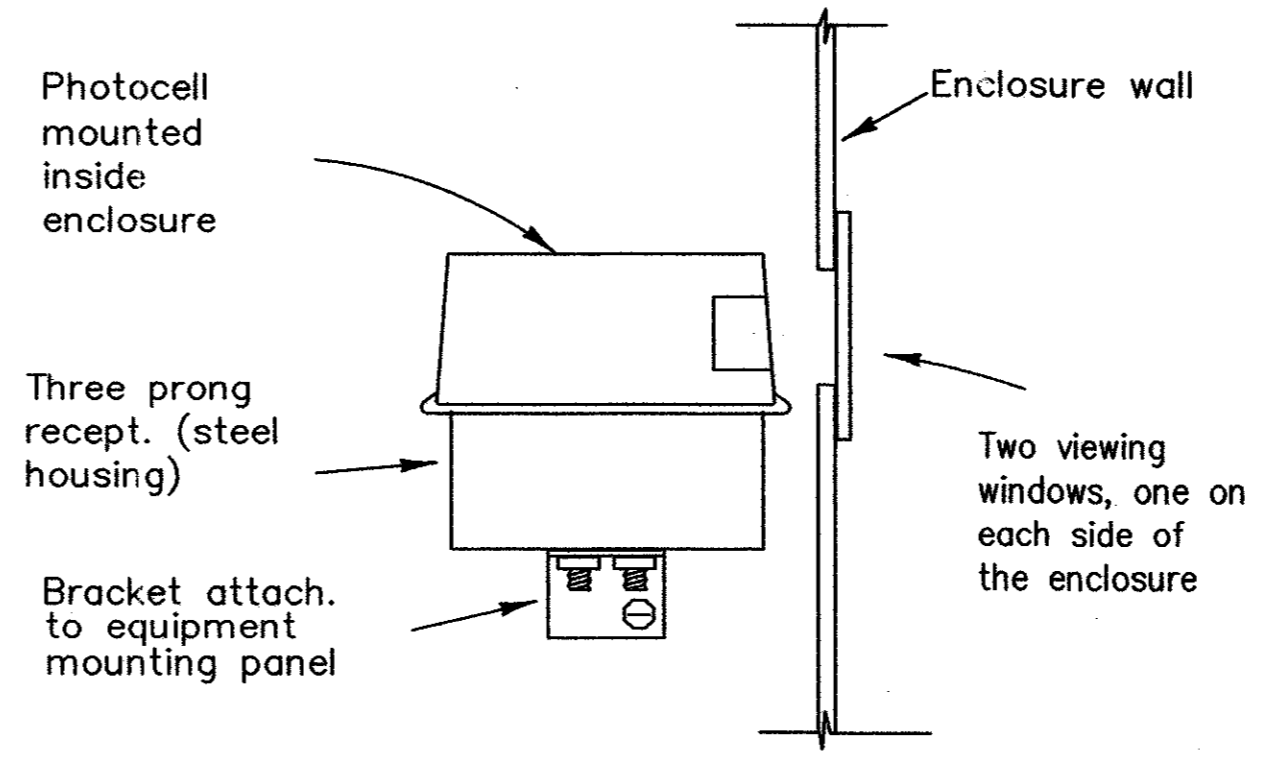
12-22-00 Revision
Modify legend numbers

THIS DETAIL SHEET WAS OBTAINED FROM TXDOT



TOP MOUNTED PHOTOCELL

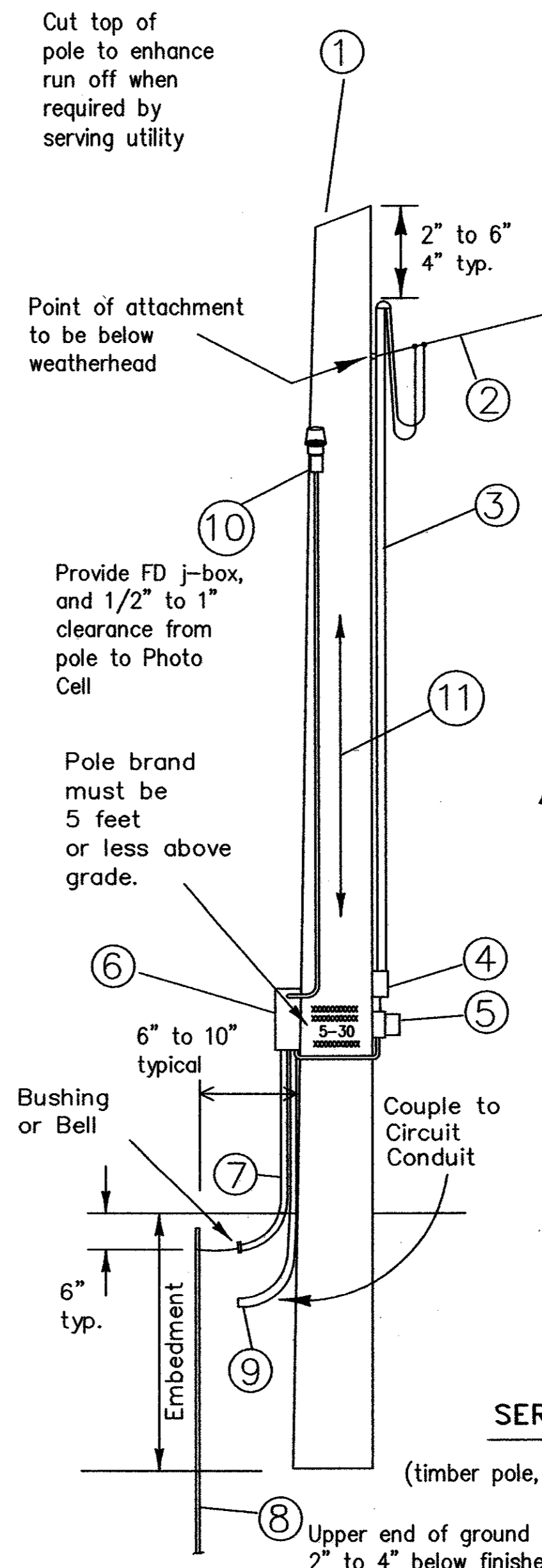
Conduit support spacing 3 feet from enclosure; 5 feet max.



ENCLOSURE MOUNTED PHOTOCELL

For photocell specifications see ED(5),XIII.

NO.	DATE	REVISION	APPROV.
1			
2			
3			



- 1 - Class 5 pole, height as required
- 2 - Service drop from utility company (attached below weatherhead)
- 3 - Service conduit and service entrance conductors(RMC) (See Electrical Service Data)
- 4 - Safety switch (when required)
- 5 - Meter (when required)
- 6 - Service enclosure
- 7 - No. 6 bare grounding electrode conductor in 1/2" PVC to ground rod - extend 1/2" PVC 6" underground.
- 8 - 5/8" x 8' Copper clad ground rod - drive ground rod completely underground unless otherwise approved by the Engineer.
- 9 - RM conduit - same size as branch circuit conduit.
- 10 - Photocell and conduit - if top mounted. (See Electrical Service Data)
- 11 - When required by the serving utility provide bare #6 awg copper conductor. Run wire from pole top to butt wrap or copper butt plate. Protect conductor to a height of 8 ft above finish grade.

LIQUIDTIGHT FLEXIBLE METAL CONDUIT
(If applicable)

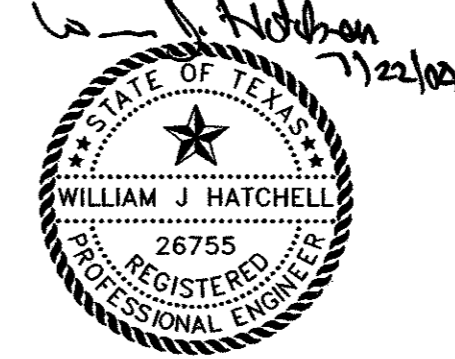
- Liquidtight flexible metal conduit, may be used when meter and service enclosure are mounted 90 to 180 degrees to each other.
- LFMC shall not exceed 3 ft. and shall be securely supported within one ft. of each end.
- Each end of LFMC must have a grounding bushing or be terminated with a grounding fitting.
- A neutral conductor must be installed within the LFMC.
- Bend in liquidtight flexible metal conduit shall not exceed 180 degrees.
- A pull test is required on all installed conductors, at least six inches of free conductor movement shall be demonstrated to the satisfaction of the Engineer.

SERVICE SUPPORT TYPE TP (O)

(timber pole, overhead service, typical arrangement)

TIMBER POLE NOTES

- 1. Conduit and conductors attached to service pole and underground within 12 inches of service pole shall not be paid for directly but shall be subsidiary to the service pole.
- 2. Pole top mounted photocell, install on north side of pole or in service enclosure as required. See Electrical Service Data.
- 3. Attach meter and service equipment with stainless steel or galvanized channel (Unistrut, Kindorf, or equal). Gain pole as required to provide flat surfaces for each strut. Paint ends of galvanized channel with zinc rich paint. Gain depth 5/8" max. Gain height 1 7/8" max. Strut to be 1" max. deep, and 1 5/8" wide max. Secure each strut section to timber pole with two galvanized or SS lag bolts, 1/4" diameter min. by 1 1/2" length min. Place flat cut galvanized or SS washer on each lag bolt. Gain pole in a neat and workman-like manner.
- 4. Embedment depth shall be as required in Item 627 Treated Timber Poles.
- 5. Poles trimmed for excess length shall be trimmed from the top end only.



THE SEAL APPEARING ON THIS DOCUMENT WAS AUTHORIZED BY WILLIAM J. HATCHELL ON 7-21-04. ALTERATION OF A SEALED DOCUMENT WITHOUT PROPER NOTIFICATION TO THE RESPONSIBLE ENGINEER IS AN OFFENSE UNDER THE TEXAS ENGINEERING PRACTICE ACT.

DATE: MAY 2004 SCALE: NOT TO SCALE JOB NO.: 320

DRAWN: G&A DESIGN: BRG REVIEWED: BRG DWG: 320DETAILS-ELEC

ARAPAHO ROAD PHASE III

STANDARD CONSTRUCTION DETAILS

TRAFFIC SIGNAL ELECTRICAL - SHEET 4

TOWN OF ADDISON

g&a Grantham & Associates, Inc. SHT. TS-8

1919 S. SHILOH ROAD, SUITE 310, L.B. 8 GARLAND, TEXAS 75042 (972) 964-2333 (TEL) (972) 964-2334 (FAX)