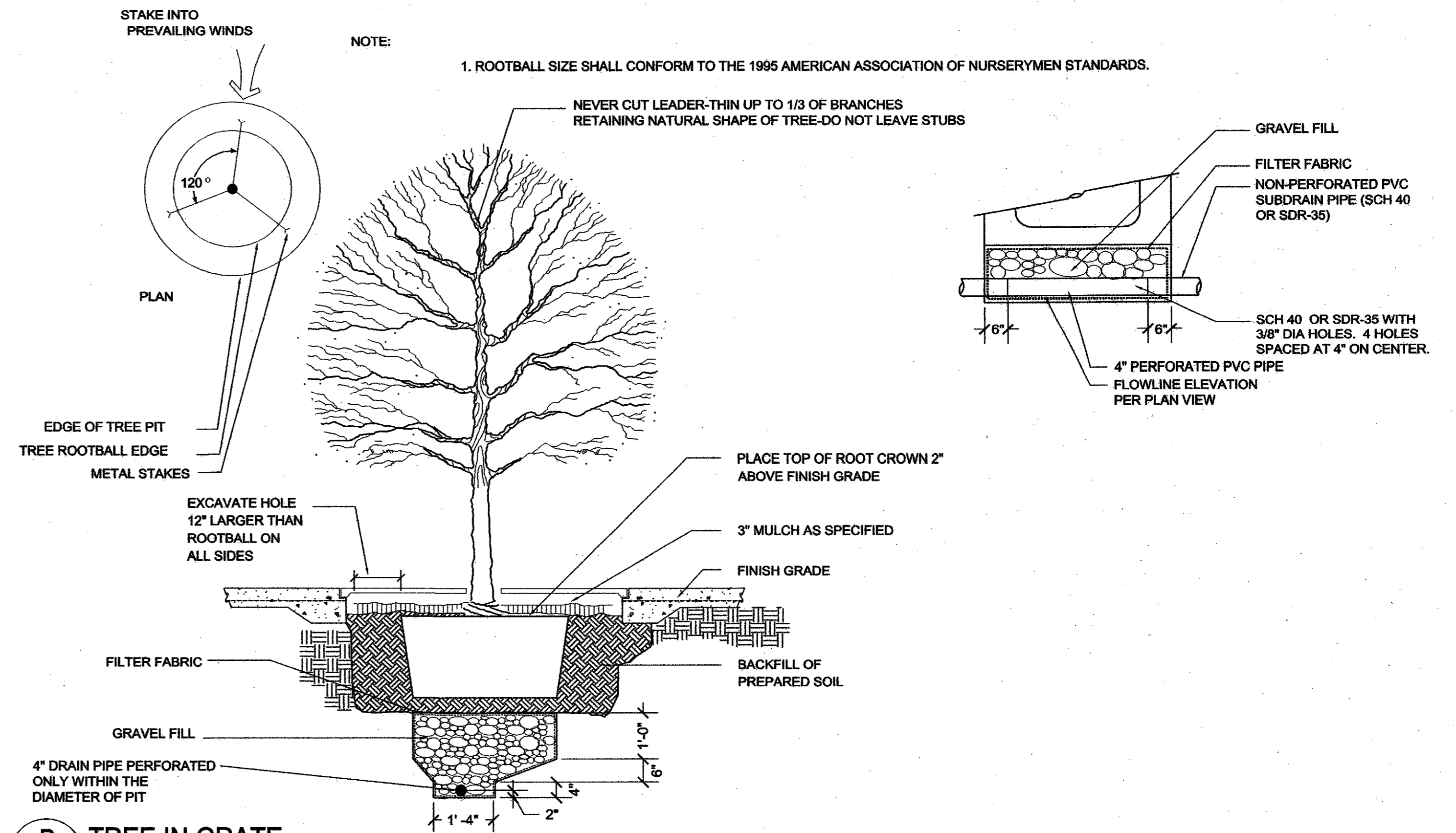


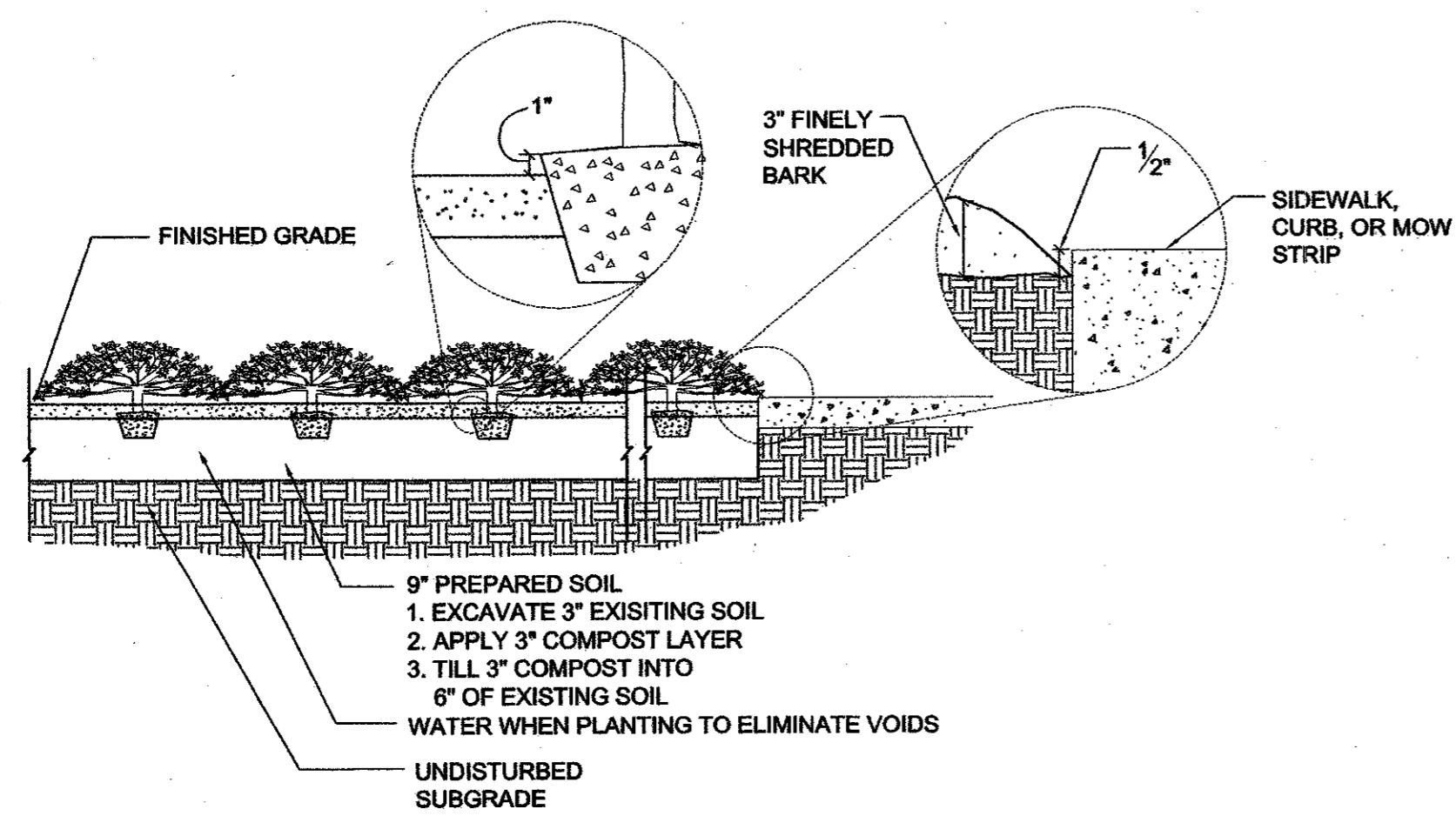
A TREE IN TURF
DT-07

SCALE: 1/2"=1'-0"



B TREE IN GRATE
DT-07

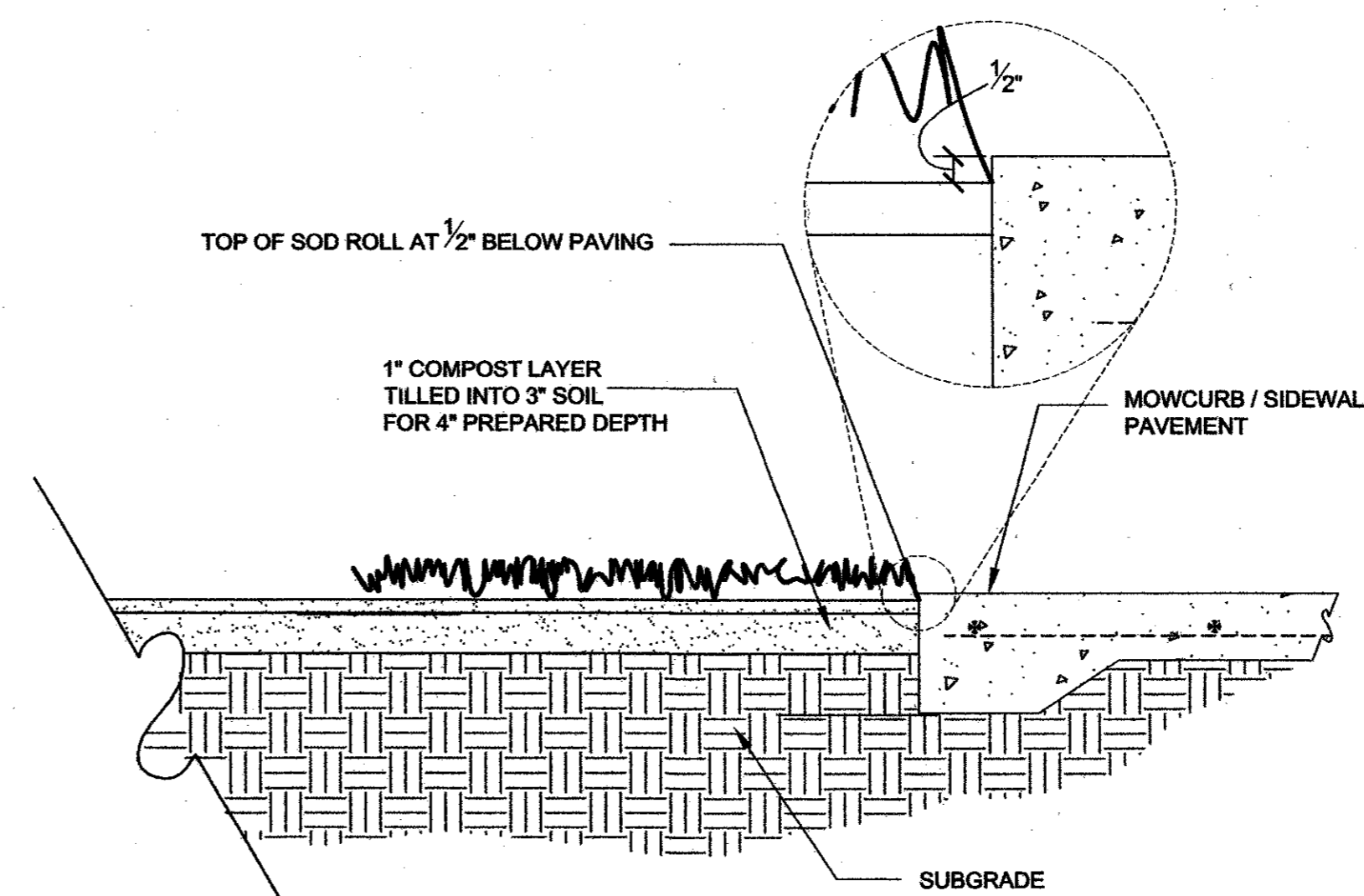
SCALE: 1/2"=1'-0"



NOTE:
PLANT GROUND COVER USING TRIANGULAR SPACING

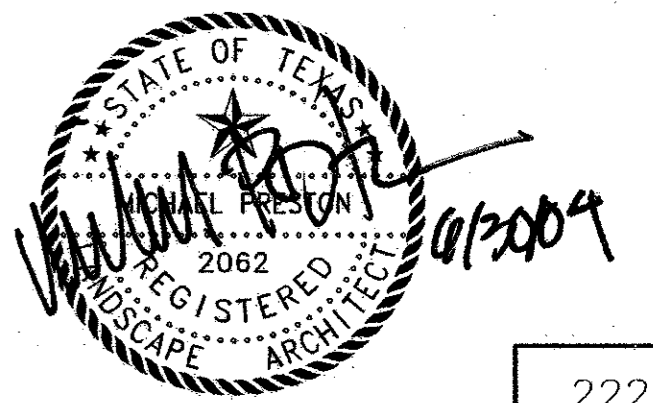
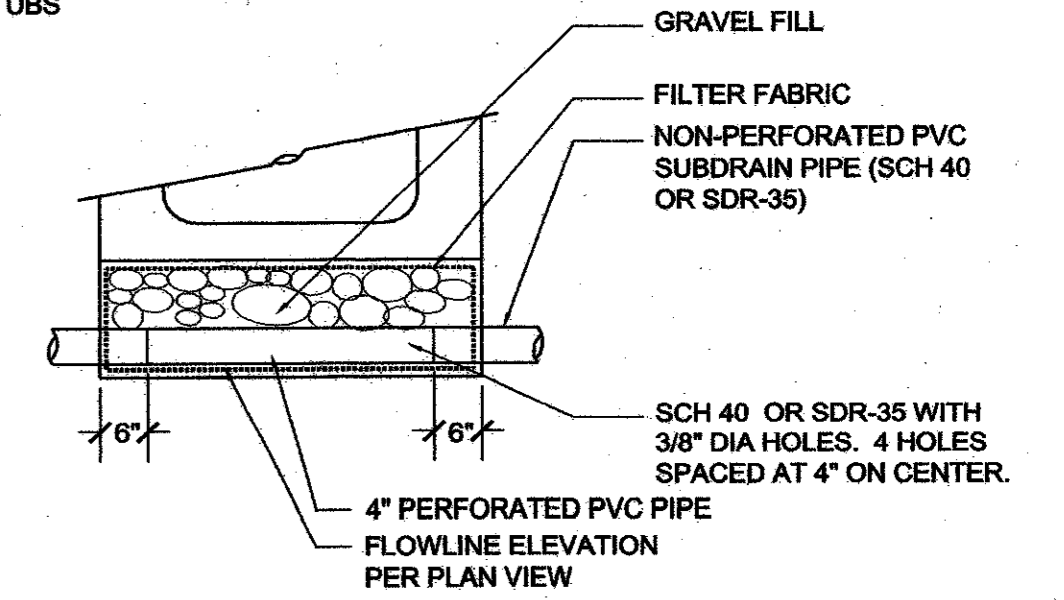
C SHRUB / GROUND COVER & ORNAMENTAL GRASS PLANTING
DT-07

SCALE: 1/2"=1'-0"



D SOD
DT-07

SCALE: 1"=1'-0"



NO.	DATE	REVISION	APPROV.
222			
HNTB ARCHITECTS ENGINEERS PLANNERS The HNTB Companies			
ARAPAHO ROAD EXTENSION			
SURVEYOR BOULEVARD TO ADDISON ROAD			
PLANTING DETAILS			
TOWN OF ADDISON, TEXAS			
Design	DAB	Drawn	DAB
DATE	6/3/04	SCALE	VARIES
PROJECT NO.	25768	SHEET NO.	DT-07