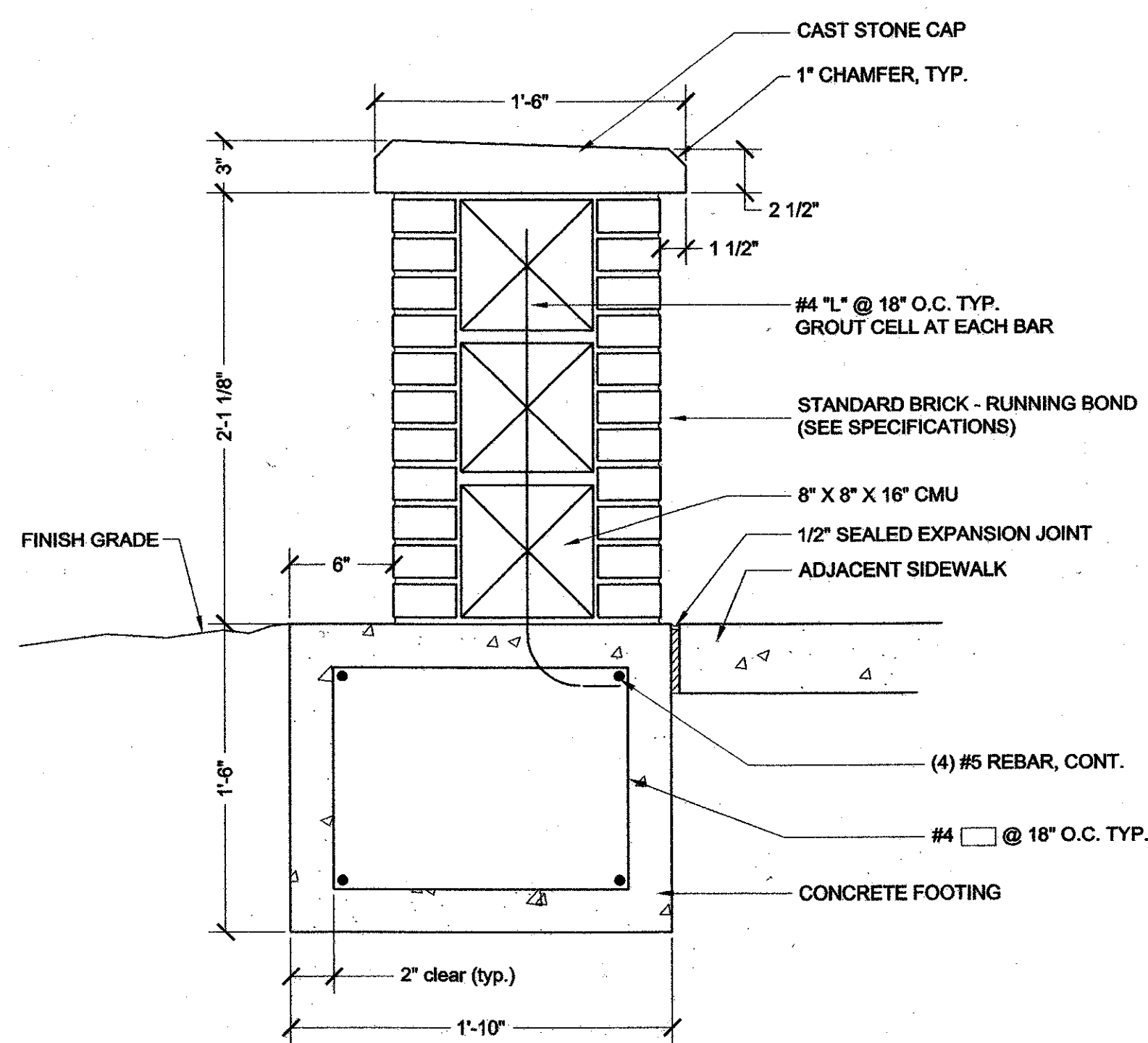


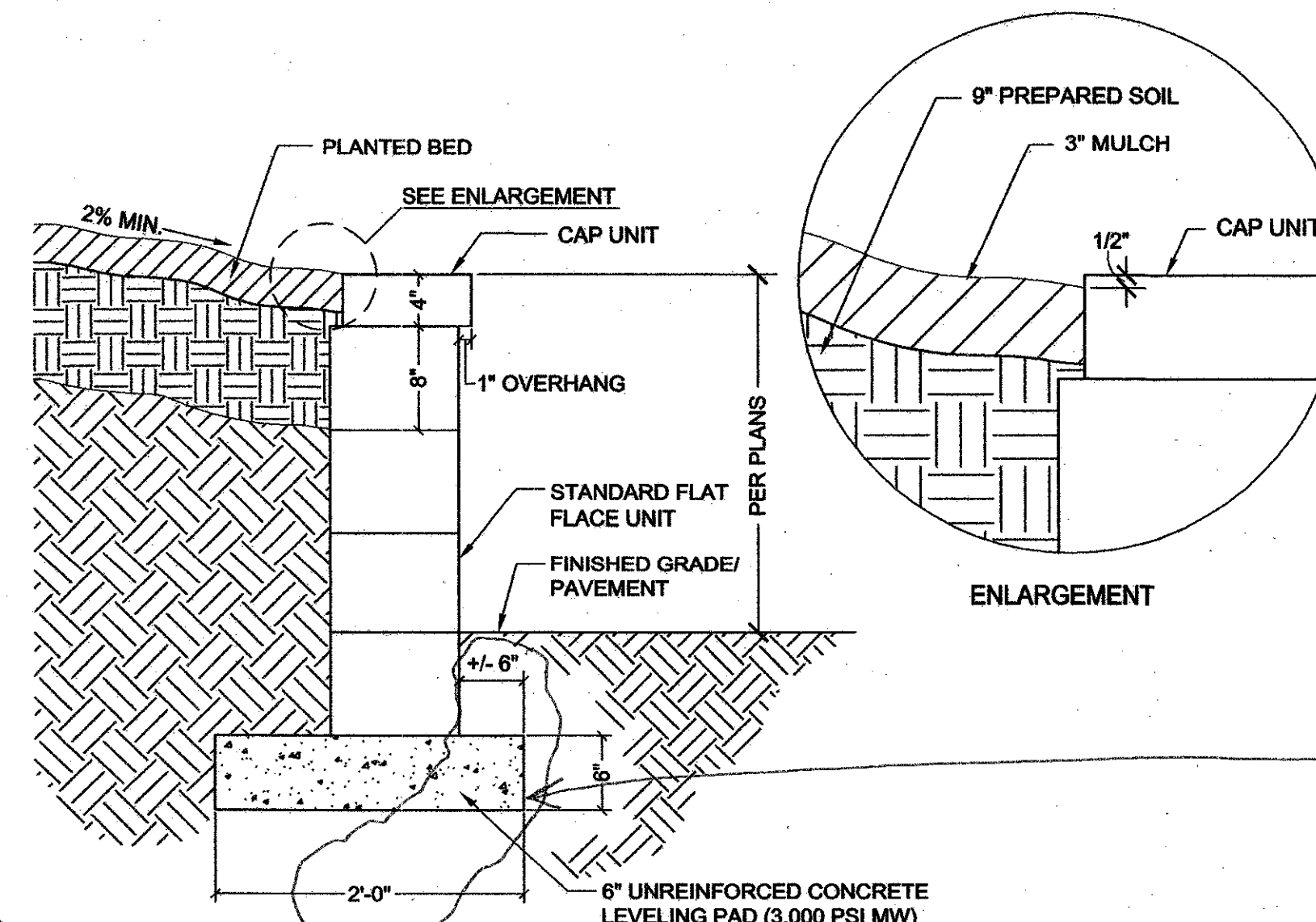
**END DETAIL**



**SECTION**

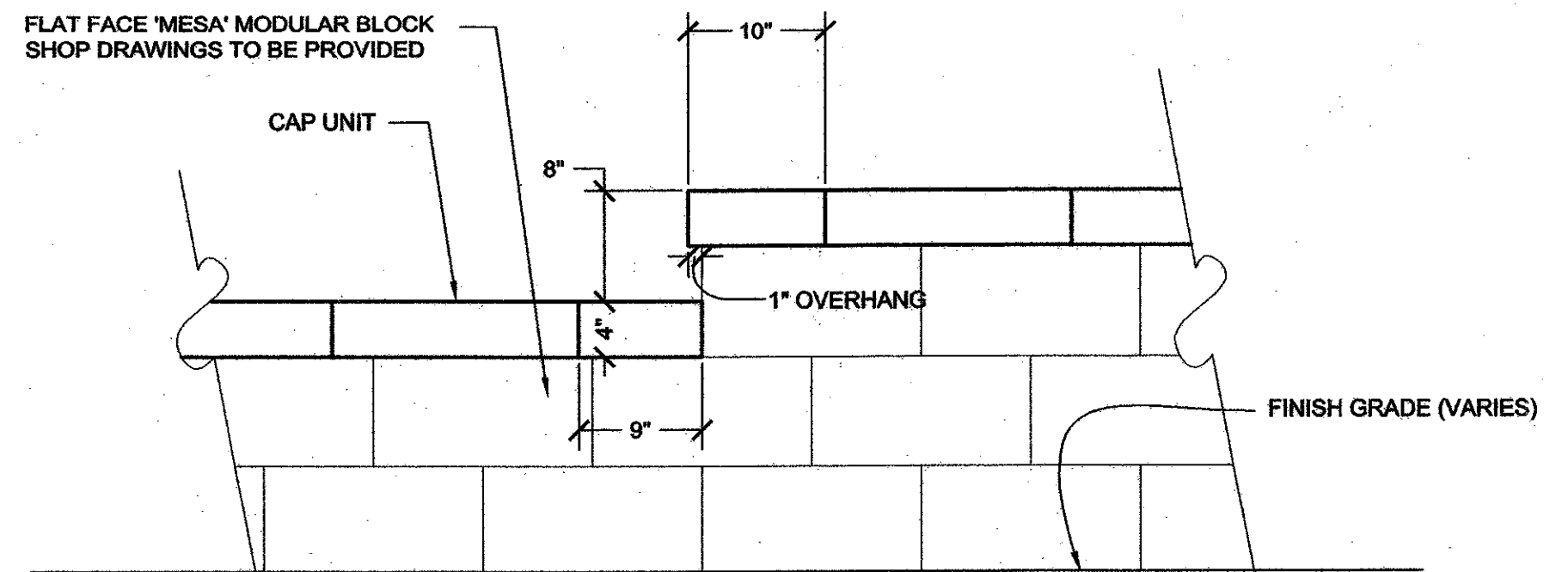
**A BRICK & CMU WALL**  
DT-08

SCALE: 1 1/2"=1'-0"

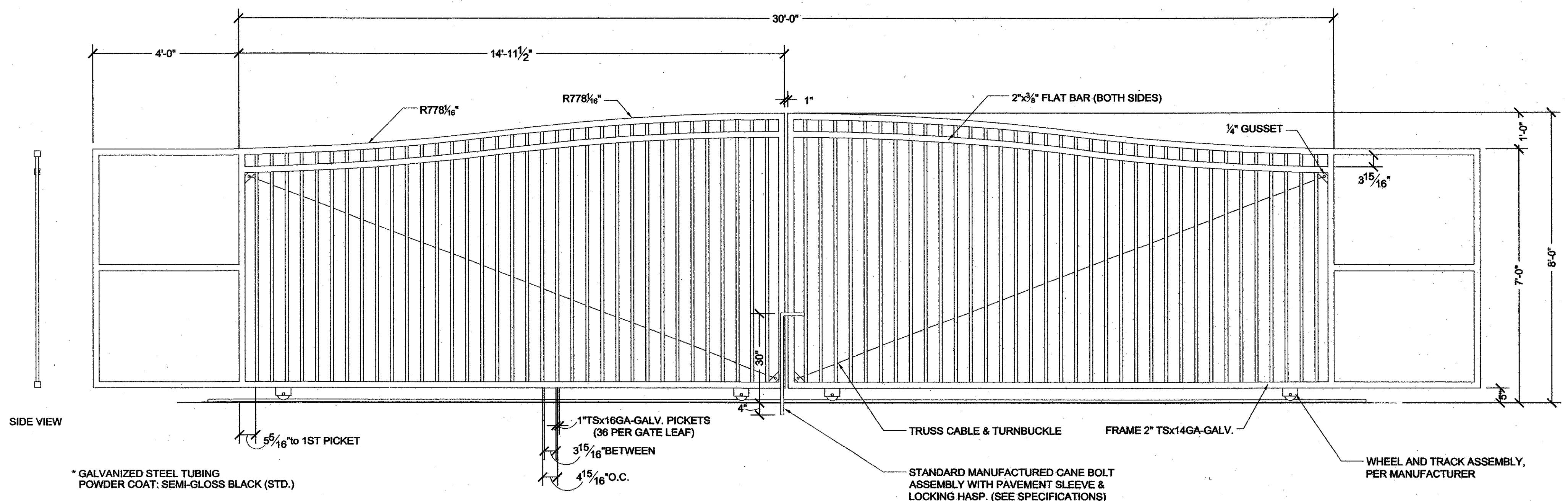


**C MODULAR RETAINING WALL**  
DT-08

SCALE: 1"=1'-0"

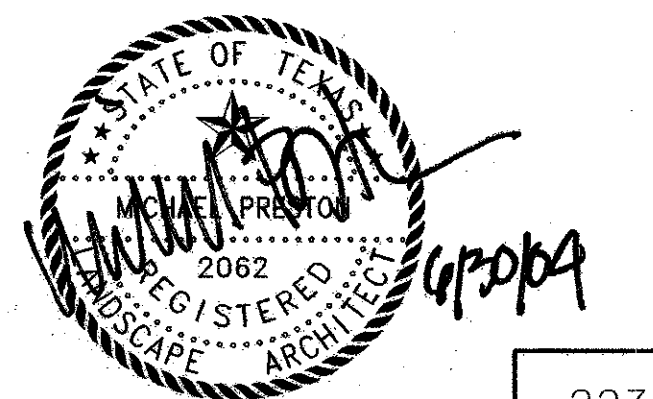


*See RFI #130  
Reduce width of 200' wide Level Pad to 150' in order to align Pad and Blocks with North Side of Inlet A-5B.*



**B DECORATIVE SECURITY GATE . V-TRACK SLIDE GATE**  
DT-08

SCALE: 1/4"=1'-0"



223

| NO.     | DATE | REVISION                                    | APPROV. |
|---------|------|---|---------|
| 6/2/04  |      | REPLACEMENT OF SWING GATE WITH SLIDING GATE |         |
| 5/27/04 |      | ADDITION OF MODULAR RETAINING WALL          |         |

**HNTB** ARCHITECTS ENGINEERS PLANNERS  
The HNTB Companies  
**ARAPAHO ROAD EXTENSION**  
SURVEYOR BOULEVARD TO ADDISON ROAD

MISC DETAILS

TOWN OF ADDISON, TEXAS

| Design | Drawn | DATE   | SCALE  | PROJECT NO. | SHEET NO. |
|--------|-------|--------|--------|-------------|-----------|
| DAB    | DAB   | 6/3/04 | VARIES | 25768       | DT-08     |

25768