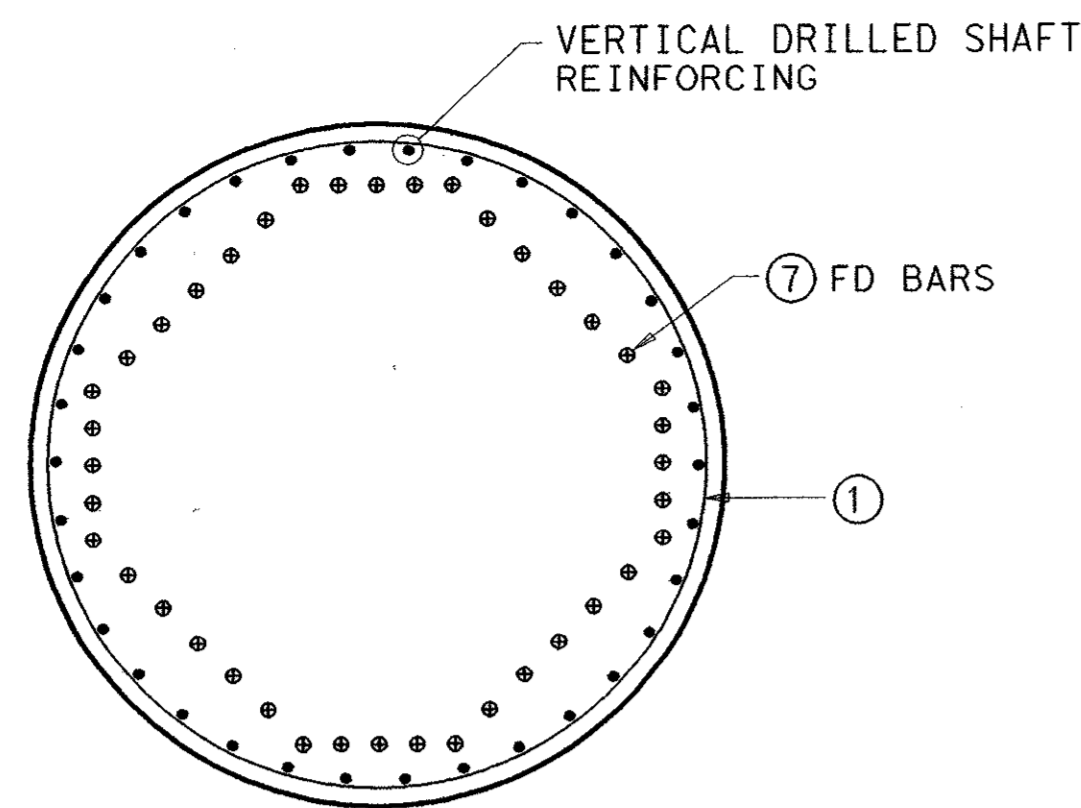


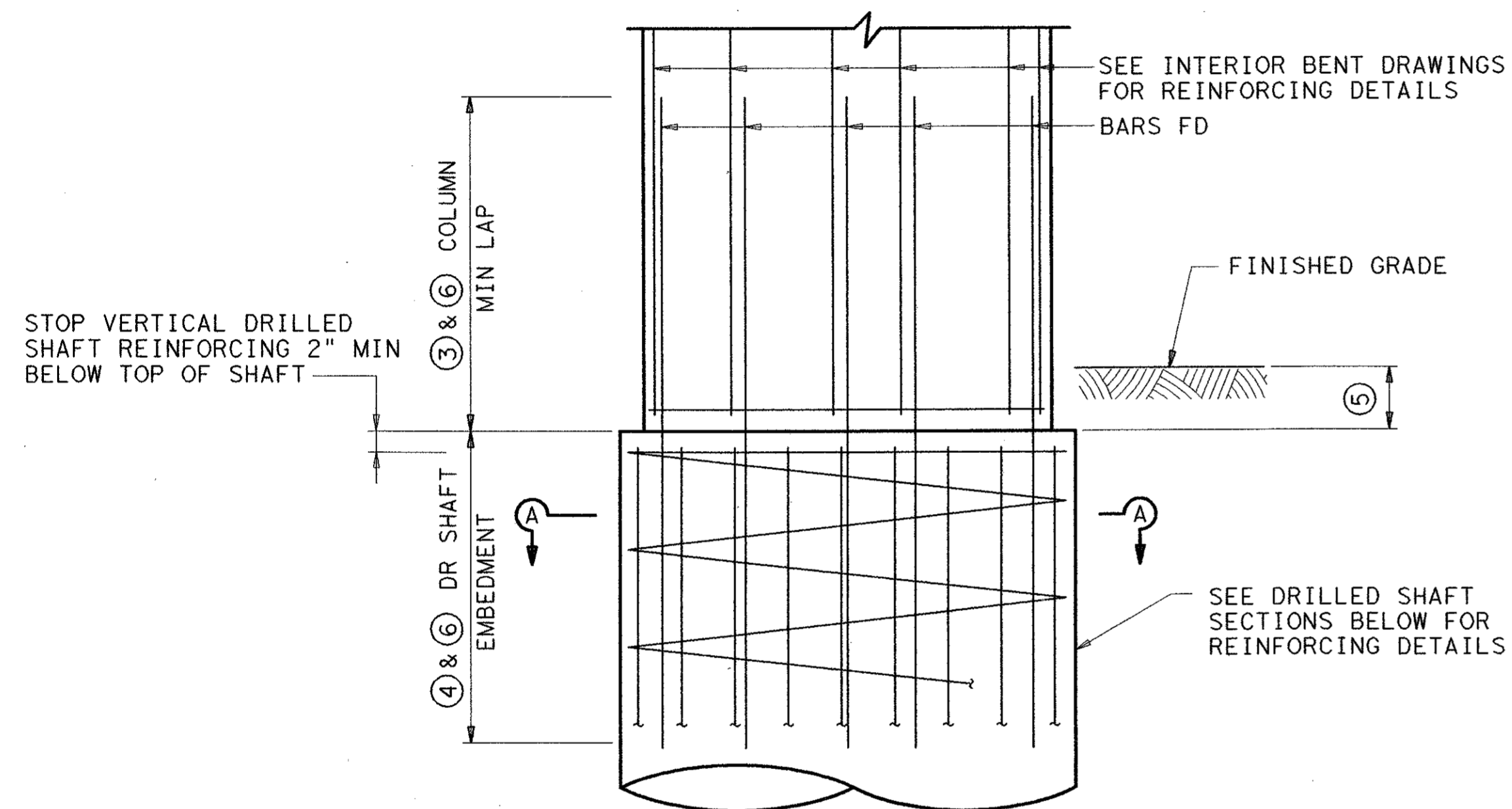
GENERAL NOTES:

1. DESIGNED ACCORDING TO AASHTO 1996 STANDARD AND CURRENT INTERIM SPECIFICATIONS FOR HIGHWAY BRIDGES.
2. SEE BRIDGE LAYOUT FOR FOUNDATION TYPE TO BE USED.
3. CLASS "C" CONCRETE STRENGTH F'C=3600 PSI.
4. DRILLED SHAFT REINFORCING SHALL BE GRADE 60.
5. ALL DRILLED SHAFTS SHALL BE FOUNDED AT THE LENGTHS INDICATED ON THE BRIDGE LAYOUT SHEETS OR LONGER TO OBTAIN THE SPECIFIED MINIMUM PENETRATION OF TWO SHAFT DIAMETERS INTO THE GRAY UNWEATHERED LIMESTONE.

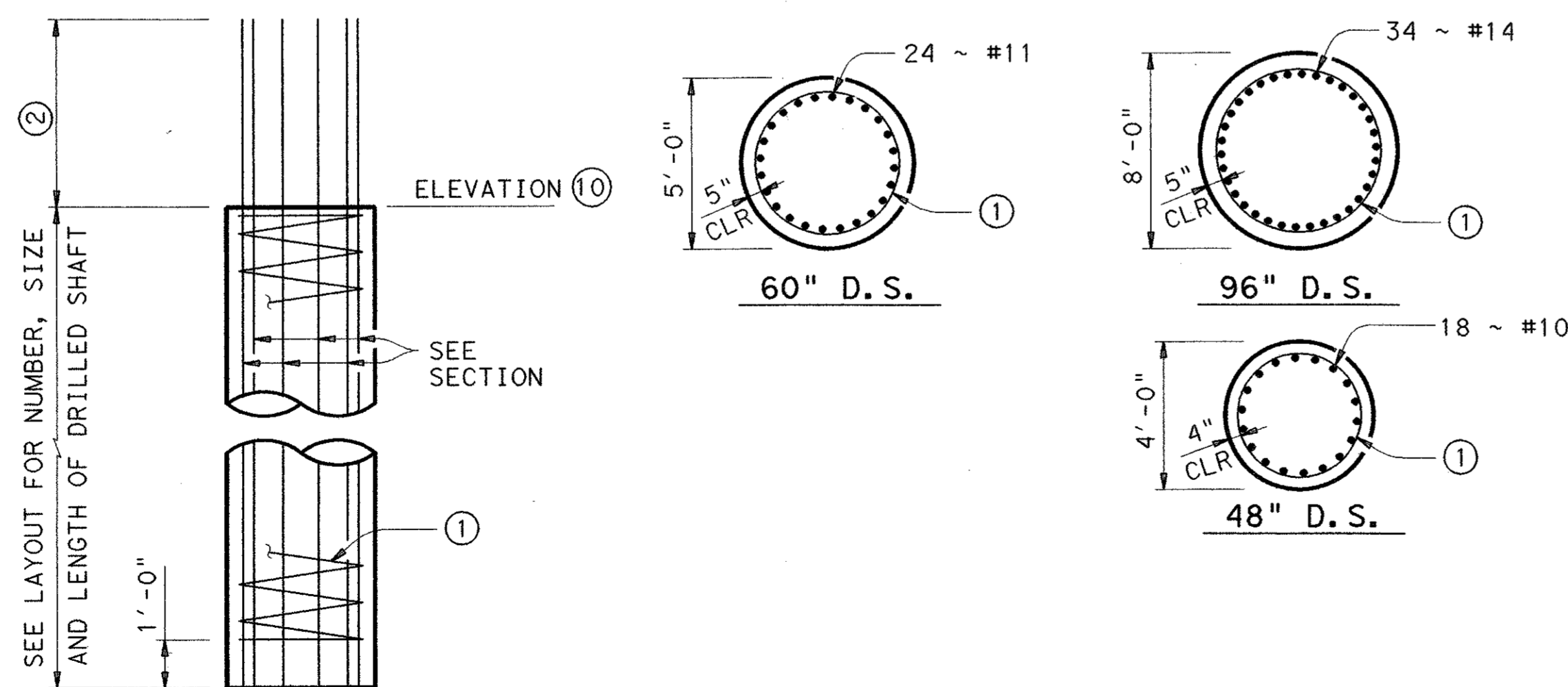
- ① 60" & 96" DRILLED SHAFT #4 SPIRAL AT 9" PITCH (ONE AND ONE HALF FLAT TURN TOP AND BOTTOM) 48" DRILLED SHAFT #3 SPIRAL AT 6" PITCH (ONE FLAT TURN TOP & BOTTOM)
- ② MIN EXTENSION 48" DIA = 3'-6" INTO ABUTMENT CAPS 60" DIA = 5'-0" INTO BENT CAPS 9 & 10
- ③ MIN LAP WITH COLUMN REINF: #11 BARS = 8'-11"
- ④ FD BARS MIN EMBEDMENT: #11 BARS = 8'-11"
- ⑤ 6" (MIN)
- ⑥ MIN LENGTH OF FD BARS: #11 BARS = 17'-10"
- ⑦ SEE BENT DRAWINGS AND MATCH THE SIZE AND NUMBER OF BARS V IN COLUMN.
- ⑧ THE CONTRACTOR SHALL FORM THE PORTION OF DRILLED SHAFT EXPOSED ABOVE FINISHED GRADE. THE COST FOR FORMING THE DRILLED SHAFTS SHALL BE CONSIDERED SUBSIDIARY TO THE DRILLED SHAFT PAY ITEM.
- ⑨ DRILLED SHAFT LOAD PER DRILLED SHAFT.
- ⑩ SEE DRILLED SHAFT TOP ELEVATIONS ON THIS SHEET AND ABUTMENT DETAILS.



SECTION A-A



STEPPED DRILLED SHAFT/COLUMN DETAILS - BENTS 2-8 & 11-14



ELEVATION

SECTIONS

DRILLED SHAFTS

DRILLED SHAFT		
BENT NO.	TOP ELEVATION	LOAD (TONS) ⑨
2	607.3	890
3	608.7	896
4	609.5	902
5	609.7	910
6	610.9	915
7	612.1	918
8	614.1	901
9	614.1	805
10	614.1	833
11	615.8	920
12	616.6	953
13	617.5	946
14	617.5	938



NO.		DATE		REVISION		APPROV.	
GREYSTONE CENTRE 5000 LBJ FREEWAY, SUITE 1500 DALLAS, TX 75254							
ARAPAHO ROAD - PHASE III SURVEYOR BOULEVARD TO ADDISON ROAD							
FOUNDATION DETAILS							
TOWN OF ADDISON, TEXAS							
Design	Drawn	DATE	SCALE	PROJECT NO.	SHEET NO.		
Check	Check	05-07-04		25768	BR-13		

7/2/2004 10:32:56 AM 43 45 61

\\ursdca1\dataprojects\arapaho_road\bridge\cadd\renders\as\form001.dgn