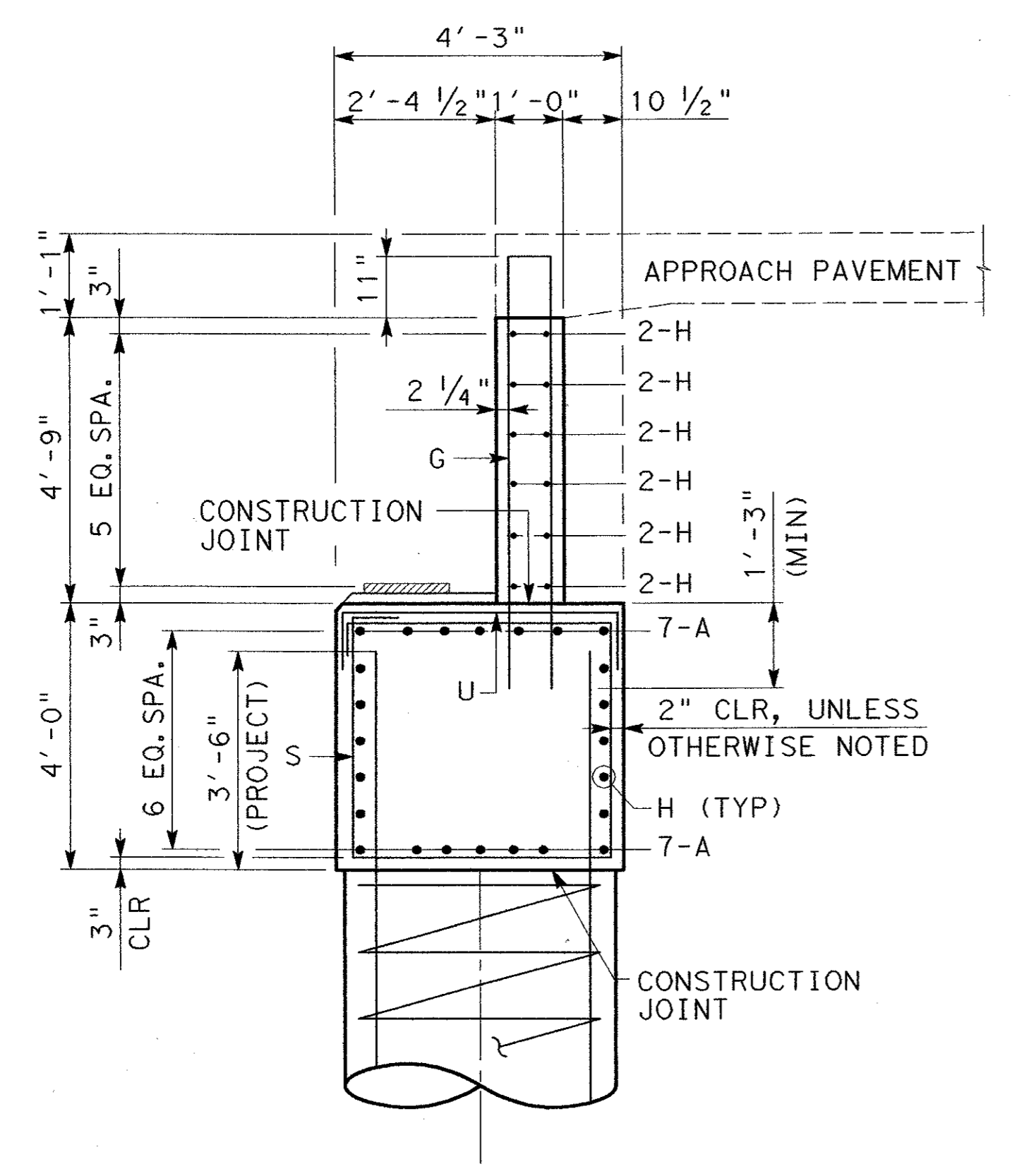
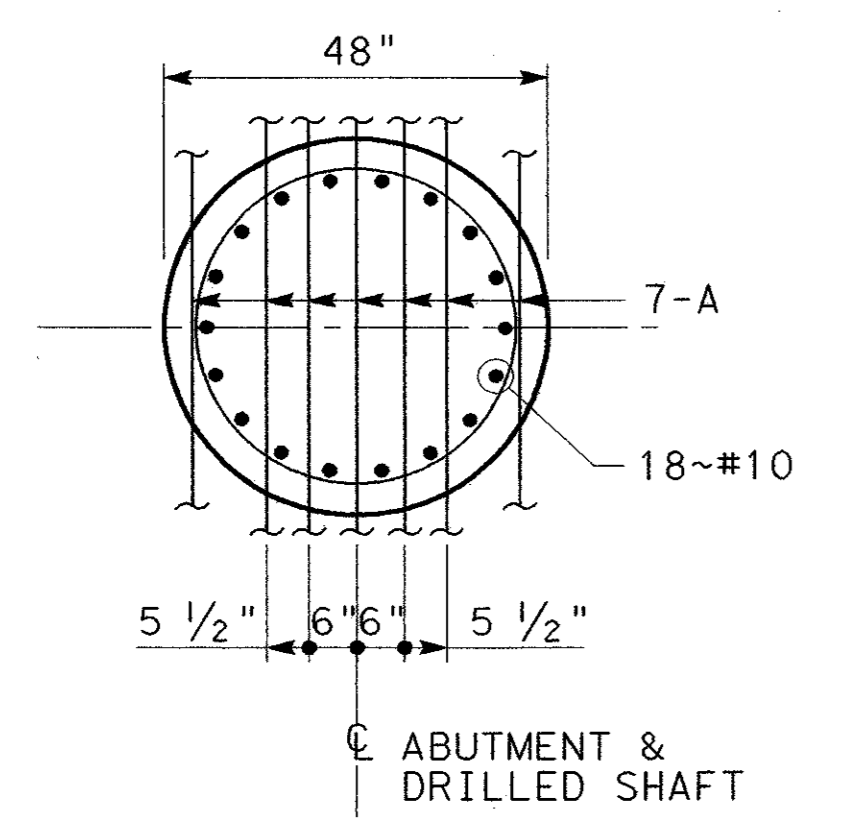


TABLE OF ESTIMATED QUANTITIES

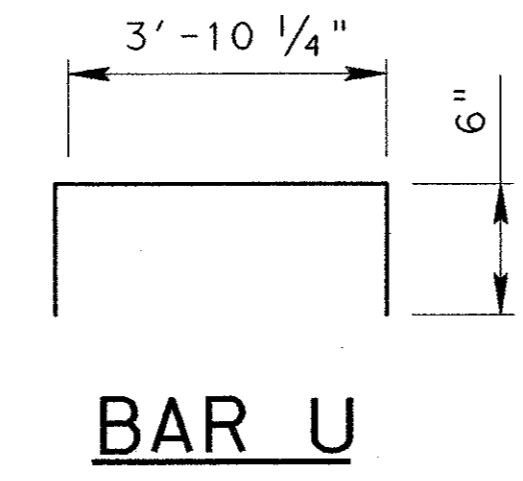
BAR	NO.	SIZE	LENGTH	WEIGHT
A	14	#11	52'-2"	3880
G	51	#5	14'-5 1/4"	768
H	22	#5	52'-2"	1197
J	2	#5	11'-1 1/4"	23
S	98	#6	17'-1"	2515
U	28	#5	4'-10 1/4"	142
TOTAL LBS.				8,525
ITEM			UNIT	QUANTITY
REINFORCING STEEL			LB	8,525
CL "F" CONC (CAP)			CY	42.3



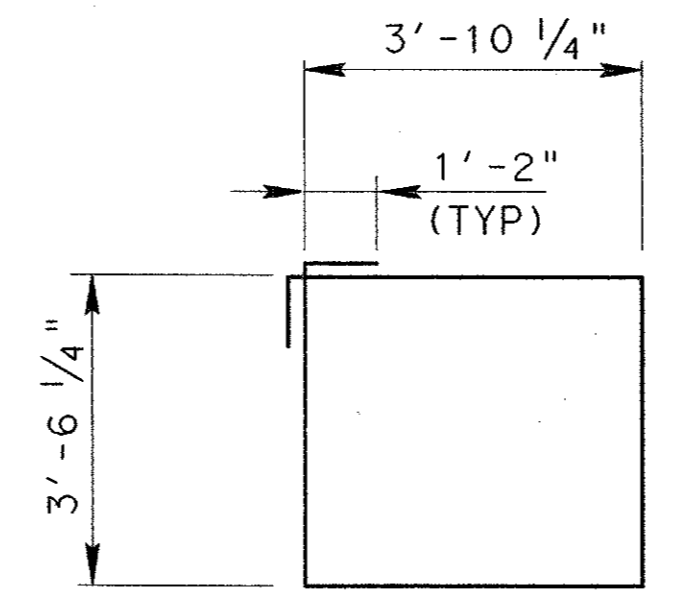
SECTION A-A



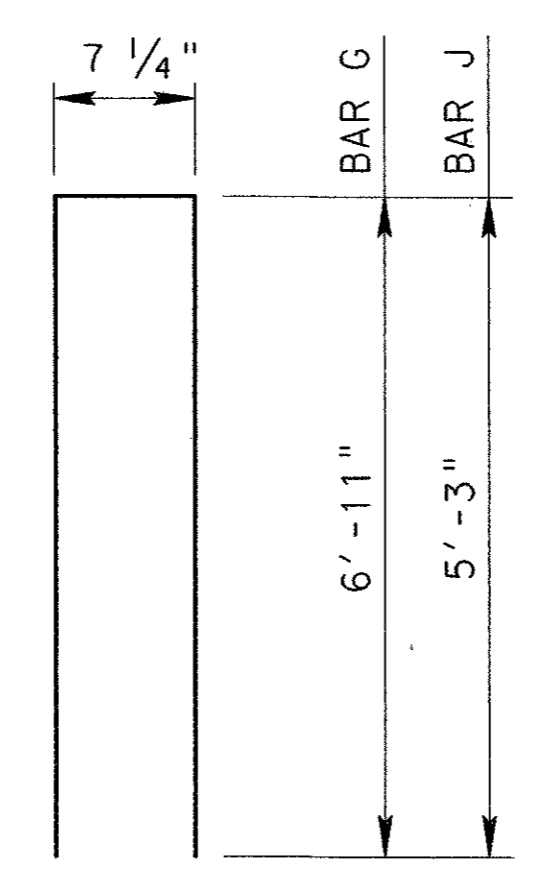
PLAN



BAR U



BAR S



BAR G & J



NO.	DATE	REVISION	APPROV.
<p>URS GREYSTONE CENTRE 2010 LBJ FREEWAY, SUITE 1500 DALLAS, TX 75244</p>			
<p>ARAPAHO ROAD - PHASE III SURVEYOR BOULEVARD TO ADDISON ROAD</p>			
<p>ABUTMENT 15 DETAILS</p>			
<p>TOWN OF ADDISON, TEXAS</p>			
Design	Drawn	DATE	SCALE PROJECT NO. SHEET NO.
Check	Check	05-07-04	25768 BR-17