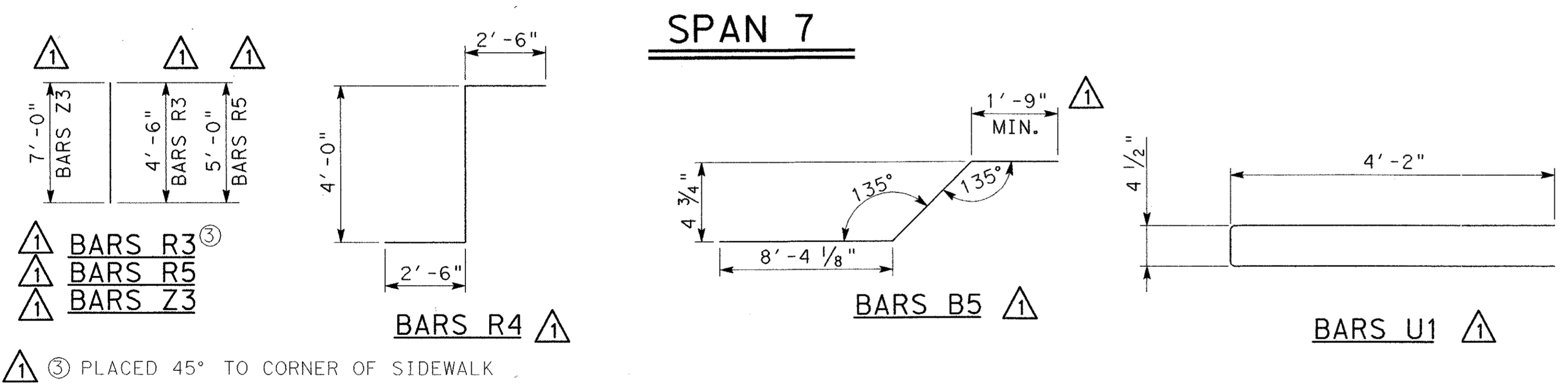


BAR TABLE	
BARS	SIZE
B5	#5
C	#5
D	#5
R1	#5
R2	#4
R3	#5
R4	#5
R5	#5
T	#4
U1	#5
U2	#5
Z	#4
Z3	#4

**GENERAL NOTES:**

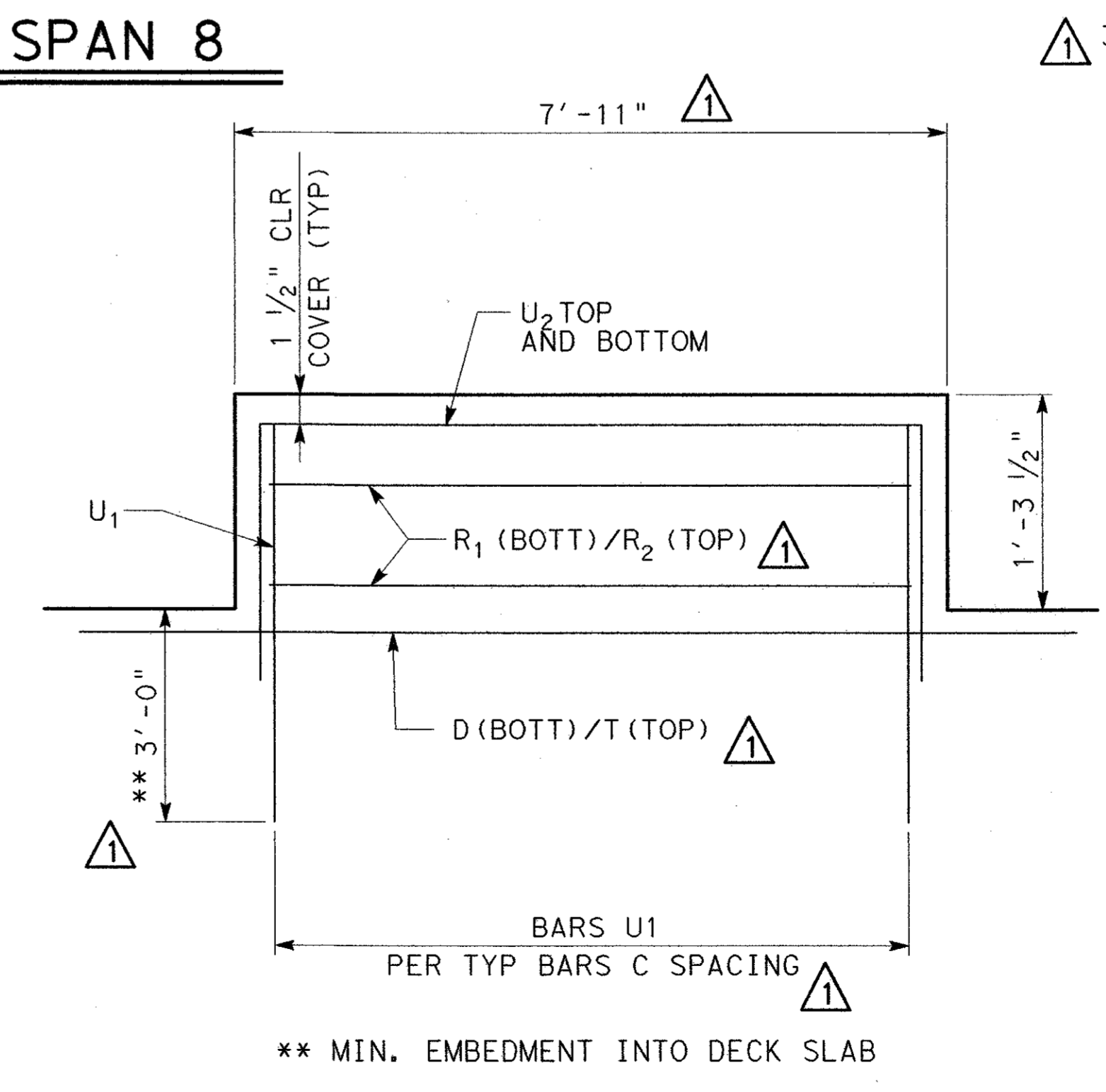
- 1. SEE UNIT 1 SLAB PLANS GENERAL NOTES
- 2. SEE SLAB DETAILS SHEET 4 OF 4 FOR SECTION D-D.
- 3. ADJUST AND/OR FIELD CUT BARS C, T, Z & D TO BE CLEAR OF DECK OPENING FOR STINGER.



SPAN NO.	REINF CONC SLAB	① PRESTRESSED CONC BEAMS TYPE U54		CLASS "S" CONC	② TOTAL REINF STEEL	
		SF	LF		CY	LB
7	5,628	411.73		139.0	36,582	
8	5,365	390.86		132.5	34,873	
TOTAL	10,993	802.59		271.5	71,455	

① BEAM LENGTHS SHOWN ARE BOTTOM BEAM FLANGE LENGTHS WITH ADJUSTMENTS MADE FOR BEAM SLOPE.  
 ② REINFORCING STEEL WEIGHT IS CALCULATED USING AN APPROXIMATE FACTOR OF 6.5 LBS/SF.

\* FOR CONTRACTORS INFO ONLY



**DETAIL A**



Design	Drawn	DATE	SCALE	PROJECT NO.	SHEET NO.
Check	Check	05-07-04		25768	BR-49

1 05/24/04 ADDENDUM CHANGES CRH  
 NO. DATE REVISION APPROV.  
**URS** GREYSTONE CENTRE 3010 LB FREEWAY, SUITE 1300 DALLAS, TX 75234  
**ARAPAHO ROAD - PHASE III**  
 SURVEYOR BOULEVARD TO ADDISON ROAD  
 SLAB PLAN UNIT 3  
 TOWN OF ADDISON, TEXAS

7/2/2004 10:33:02 AM