

BAR TABLE	
BARS	SIZE
C	#5
B5	#5
D	#5
R1	#5
R2	#4
T	#4
U1	#5
U2	#5
Z	#4

**SPAN 12**

**SPAN 13**

**SPAN 14**

**GENERAL NOTES:**

- 1. SEE UNIT 1 SLAB DETAILS GENERAL NOTES
- 2. SEE SLAB DETAIL SHEET 2 OF 4 FOR SECTION B-B

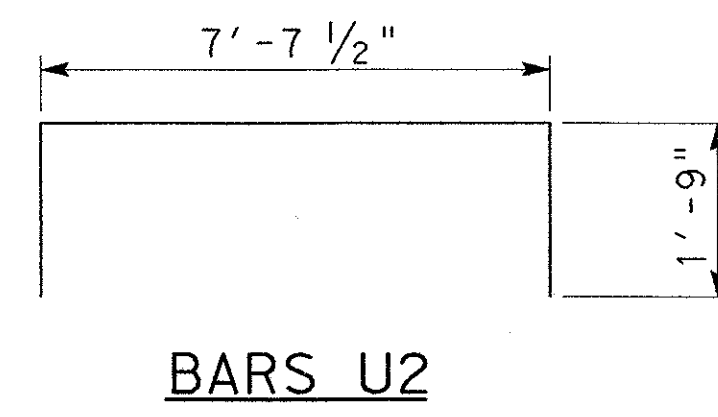
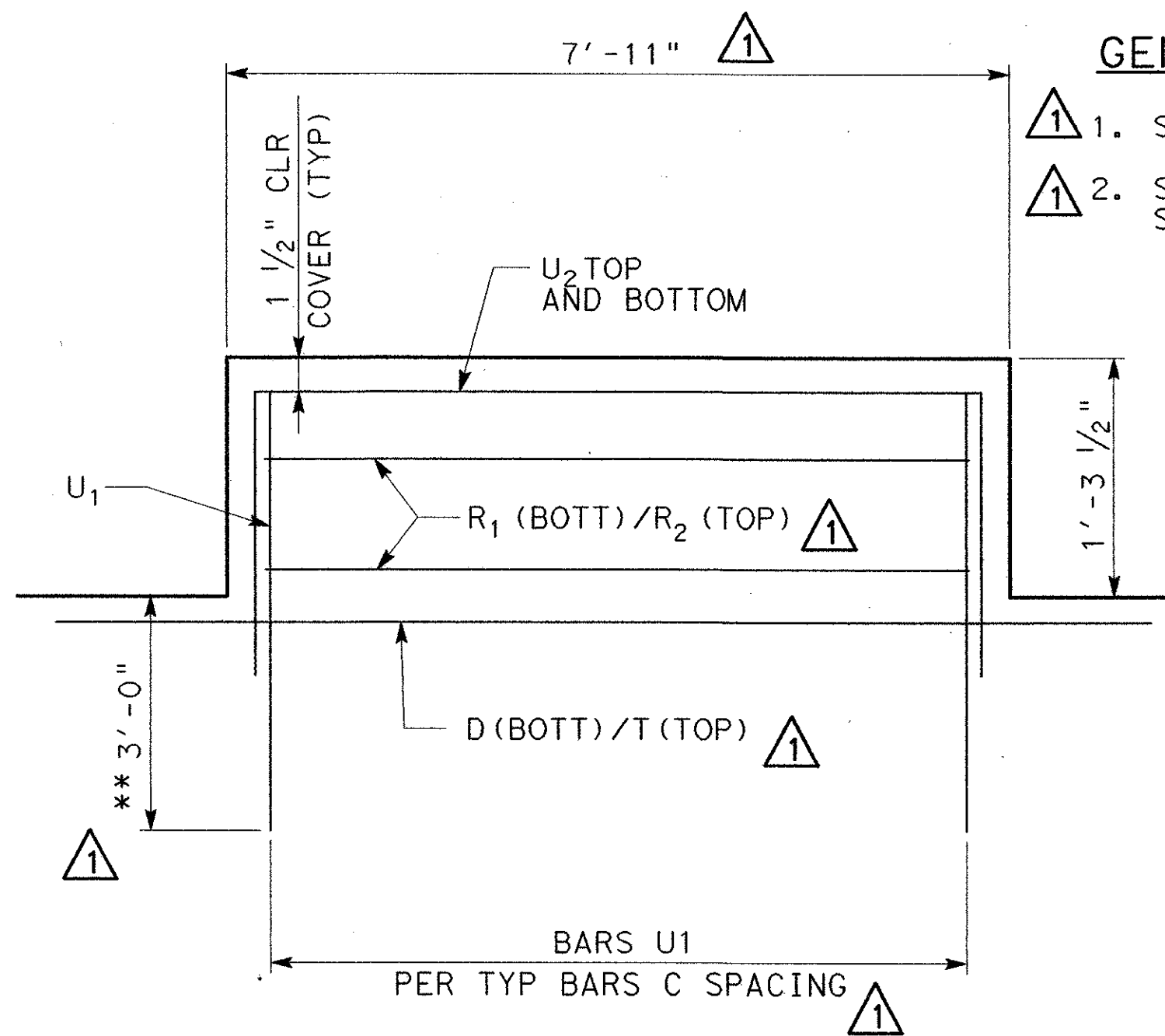
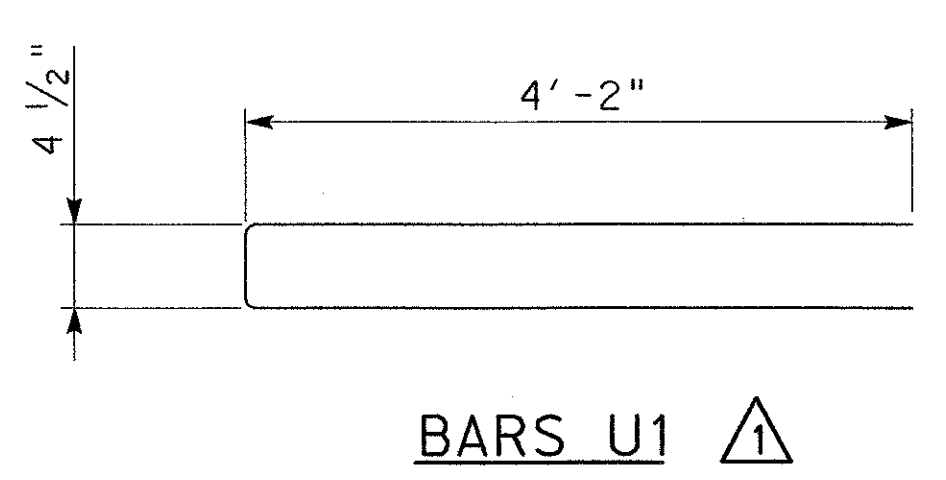
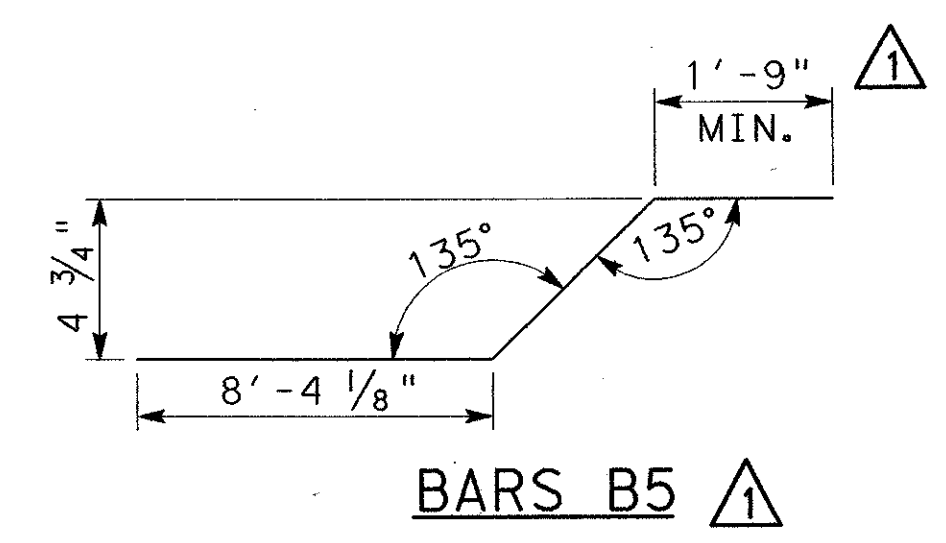


TABLE OF ESTIMATED QUANTITIES				
SPAN NO.	REINF CONC SLAB	① PRESTRESSED CONC BEAMS TYPE U54	CLASS "S" CONC	② TOTAL REINF STEEL
	SF	LF	* CY	* LB
12	5,995	439.74	148.1	38,968
13	5,985	439.77	147.8	38,903
14	5,995	446.93	148.1	38,968
TOTAL	17,975	1,326.44	444.0	116,839

① BEAM LENGTHS SHOWN ARE BOTTOM BEAM FLANGE LENGTHS WITH ADJUSTMENTS MADE FOR BEAM SLOPE. \* FOR CONTRACTORS INFO ONLY

② REINFORCING STEEL WEIGHT IS CALCULATED USING AN APPROXIMATE FACTOR OF 6.5 LBS/SF.



Design	Drawn	DATE	SCALE	PROJECT NO.	SHEET NO.
Check	Check	05-07-04		25768	BR-52

290

1 05/24/04 ADDENDUM CHANGES CRH

NO. DATE REVISION APPROV.

**URS** GREYSTONE CENTRE  
2010 LBJ FREEWAY, SUITE 1500  
DALLAS, TX 75234

**ARAPAHO ROAD - PHASE III**

SURVEYOR BOULEVARD TO ADDISON ROAD

SLAB PLAN  
UNIT 6

TOWN OF ADDISON, TEXAS

7/2/2004 10:33:03 AM

\\urs01d1\data\projects\arapaho\_road\_bridges\cadd\structures\10-arapaho\3-sp06.dgn