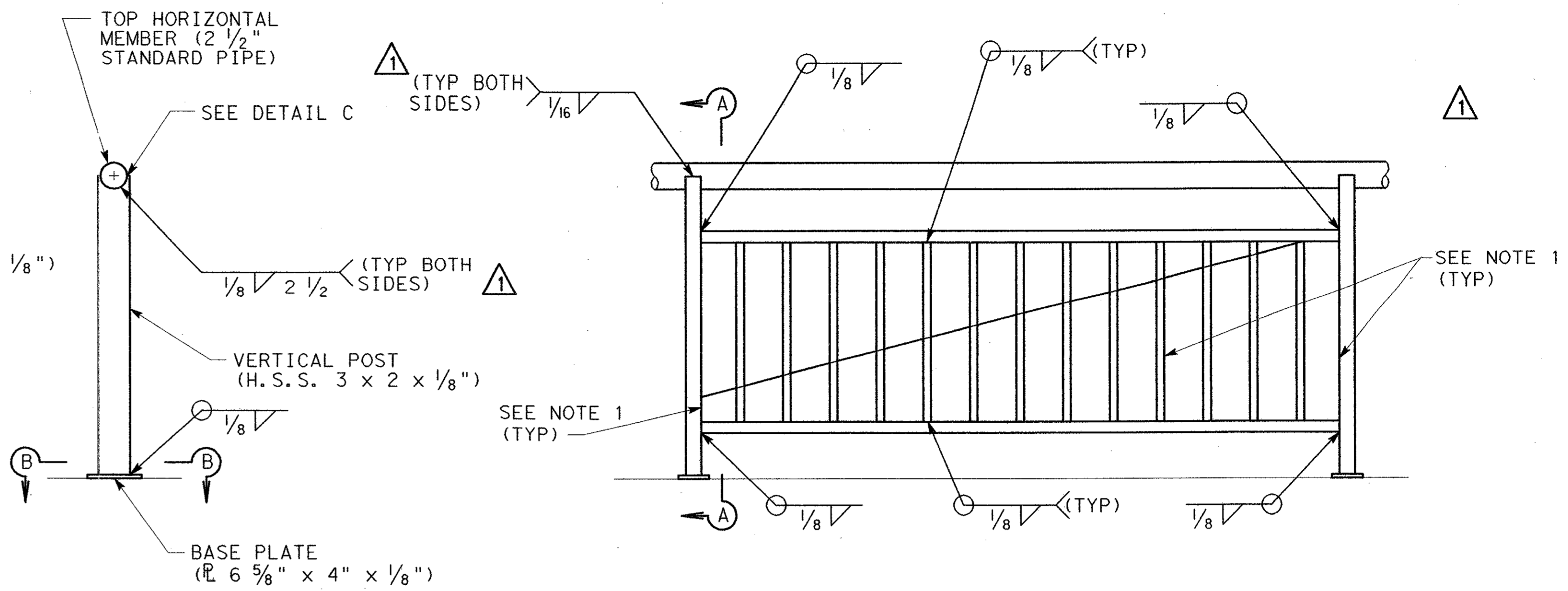


**SECTION B-B
BASE PLATE**

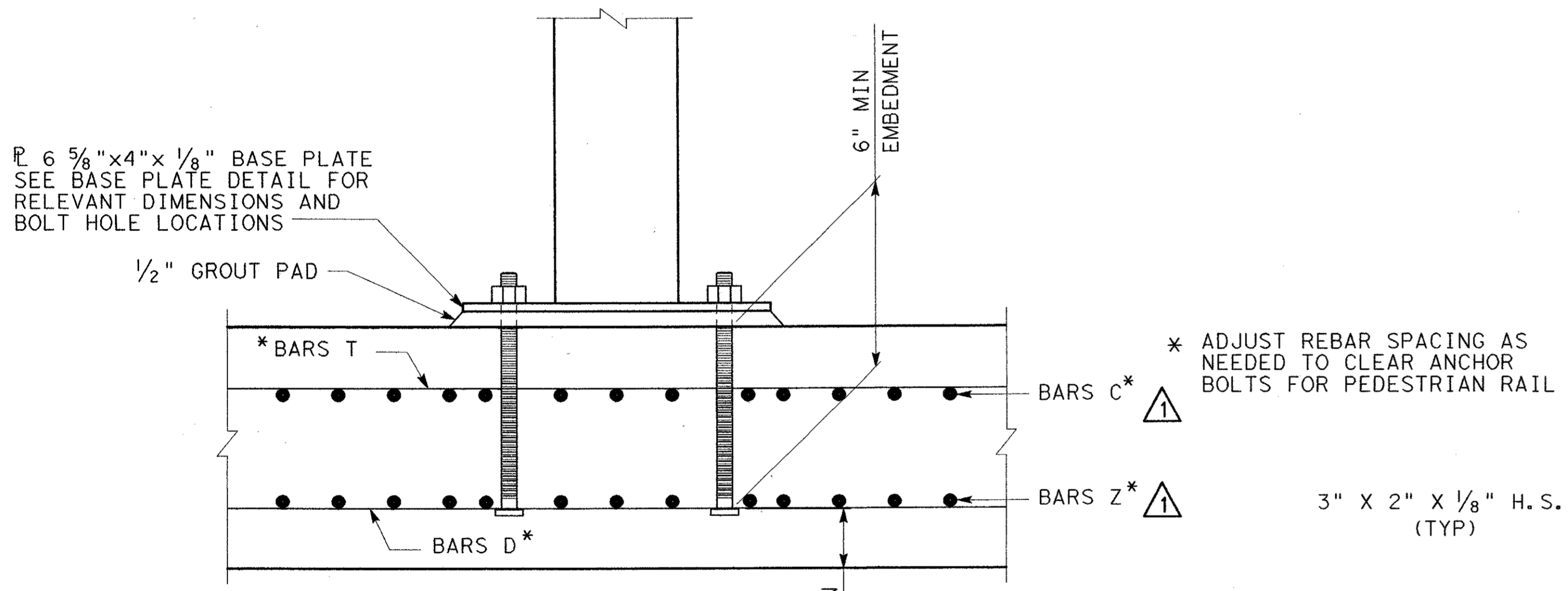


SECTION A-A

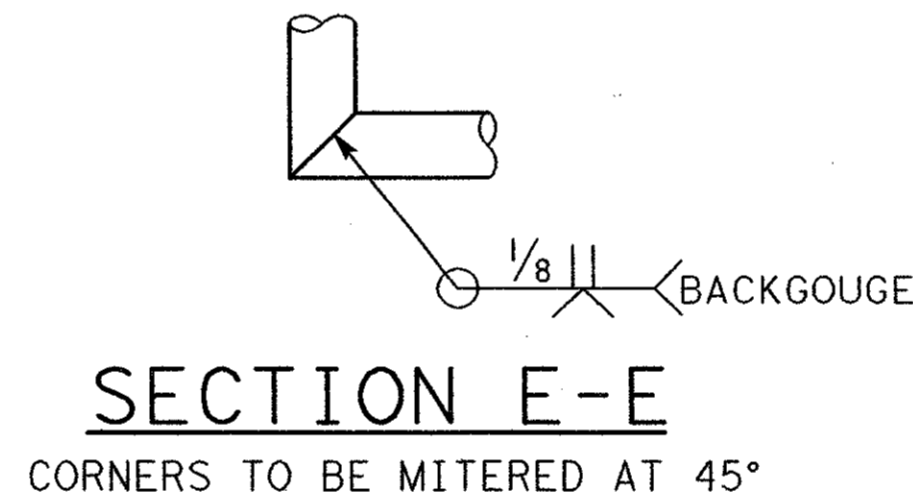
MEMBER CONNECTION DETAIL
(18 GAGE STEEL PLATE SHOWN FROM BEHIND)

NOTE 1: STEEL PLATE TO BE ATTACHED TO SQUARE ROD AND ALL H.S.S. MEMBERS WITH TACK WELDS WITH MAX SPACE OF 4" BETWEEN TACKS, FULL LENGTH OF RESPECTIVE MEMBER

DETAIL C



SECTION C-C

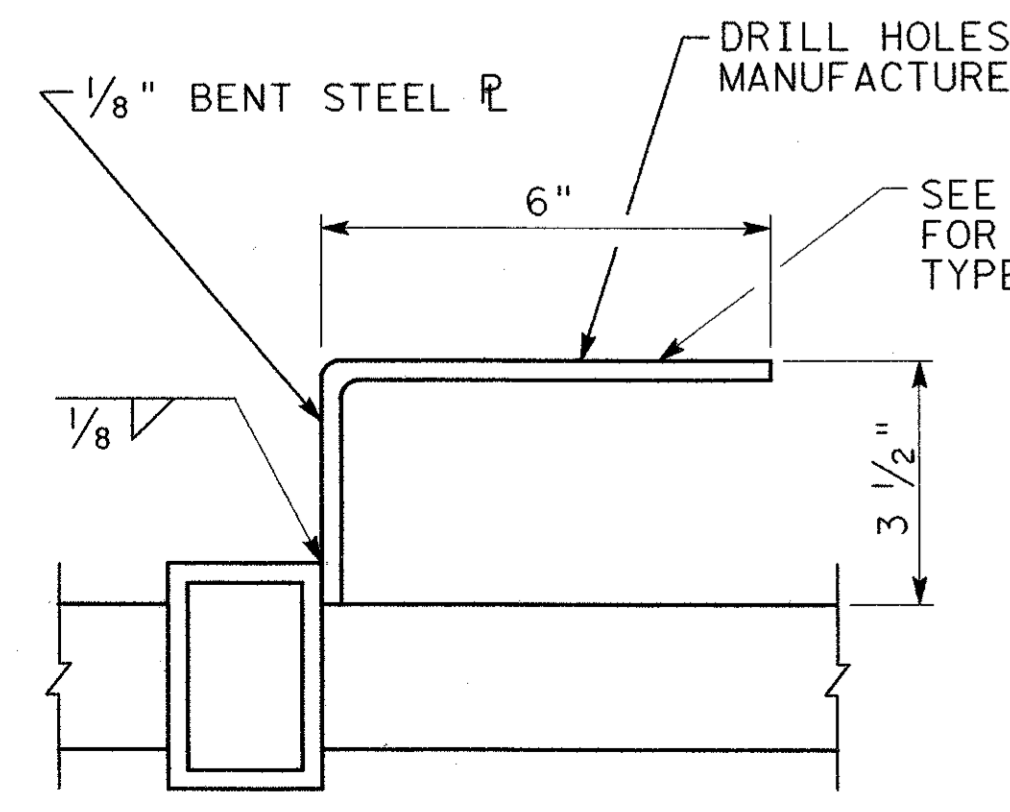


SECTION E-E

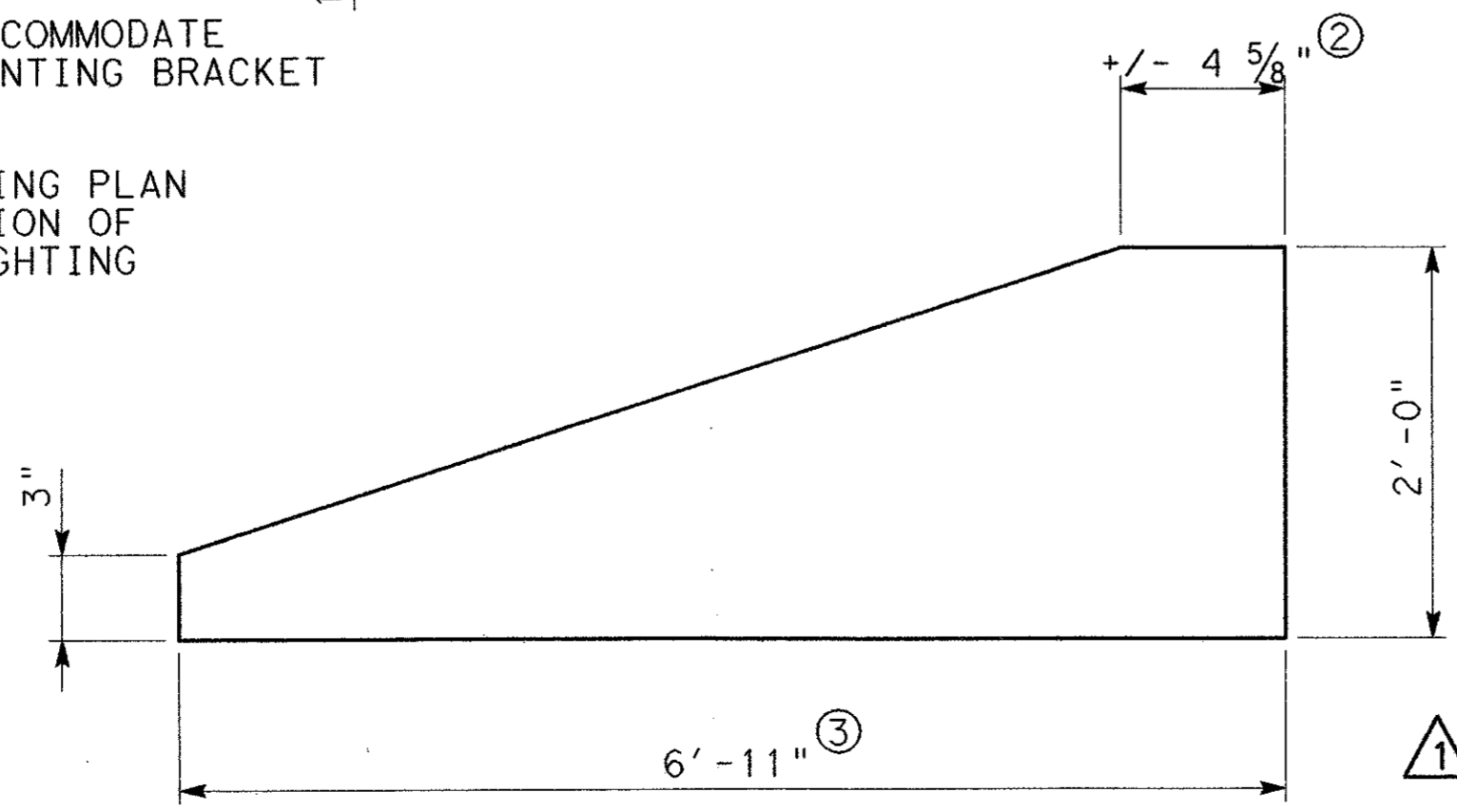
CORNERS TO BE MITERED AT 45°

See RFI # 079
Blister Width is 1-3/4"

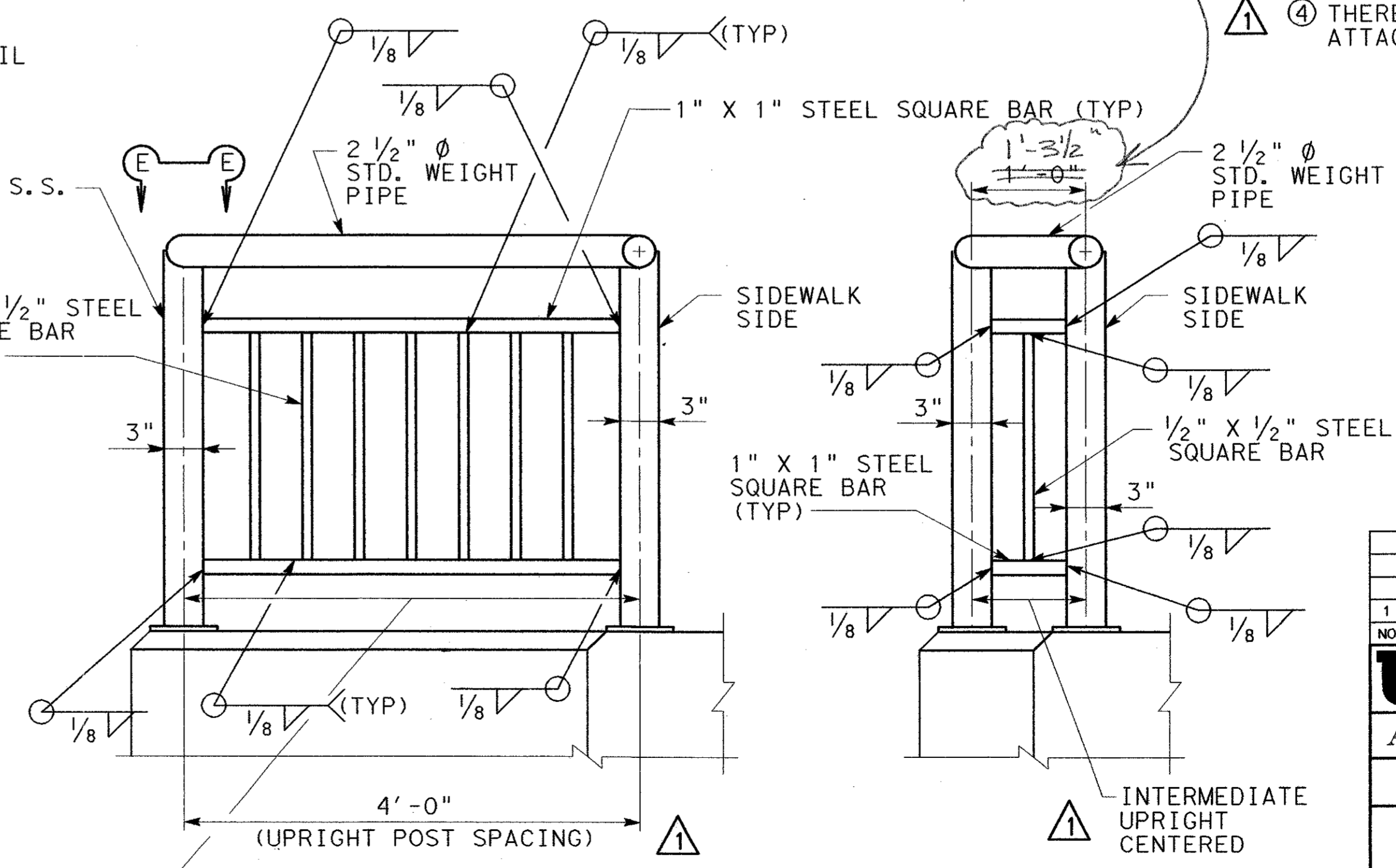
- ② POINT OF PLATE, BEFORE DIAGONAL, SHOULD LINE UP WITH OUTSIDE EDGE OF 1/2" SQUARE ROD
- ③ DIMENSION TO BE ADJUSTED WHEN POSTS ARE SPACED LESS THAN 7'-1"
- ④ THERE IS NO TRIANGULAR PLATE ATTACHED TO EITHER RAIL WIDENING



**LIGHTING REFLECTOR
SECTION D-D**



STEEL PLATE DIMENSIONS



AT BRIDGE WIDENING

AT SLAB BLISTER

RAIL WIDENING ELEVATIONS



1 05/24/04		ADDENDUM CHANGES	CRH
NO.	DATE	REVISION	APPROV.
URS GREYSTONE CENTRE 2010 LBJ FREEWAY, SUITE 1300 DALLAS, TX 75234			
ARAPAHO ROAD - PHASE III			
SURVEYOR BOULEVARD TO ADDISON ROAD			
PEDESTRIAN RAIL DETAILS			
SHEET 2 OF 2			
TOWN OF ADDISON, TEXAS			
Design	Drawn	DATE	SCALE PROJECT NO. SHEET NO.
Check	Check	05-07-04	25768 BR-63

7/2/2004 10:33:05 AM

I:\ur\sgalact\data\projects\arapaho_road_br\edge\cadd\structures\pedestr\en_rail\var3\pedr\01102.dgn