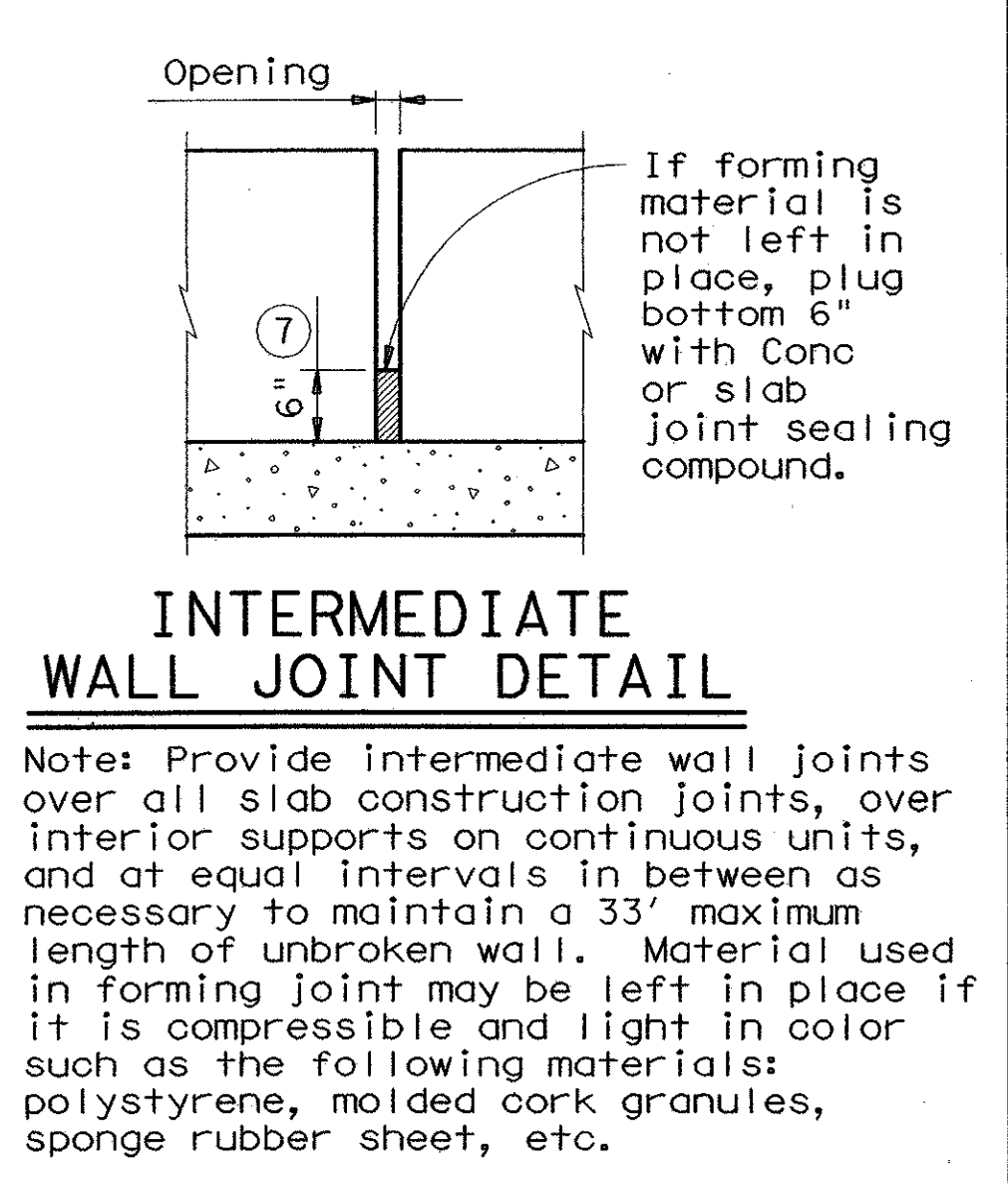
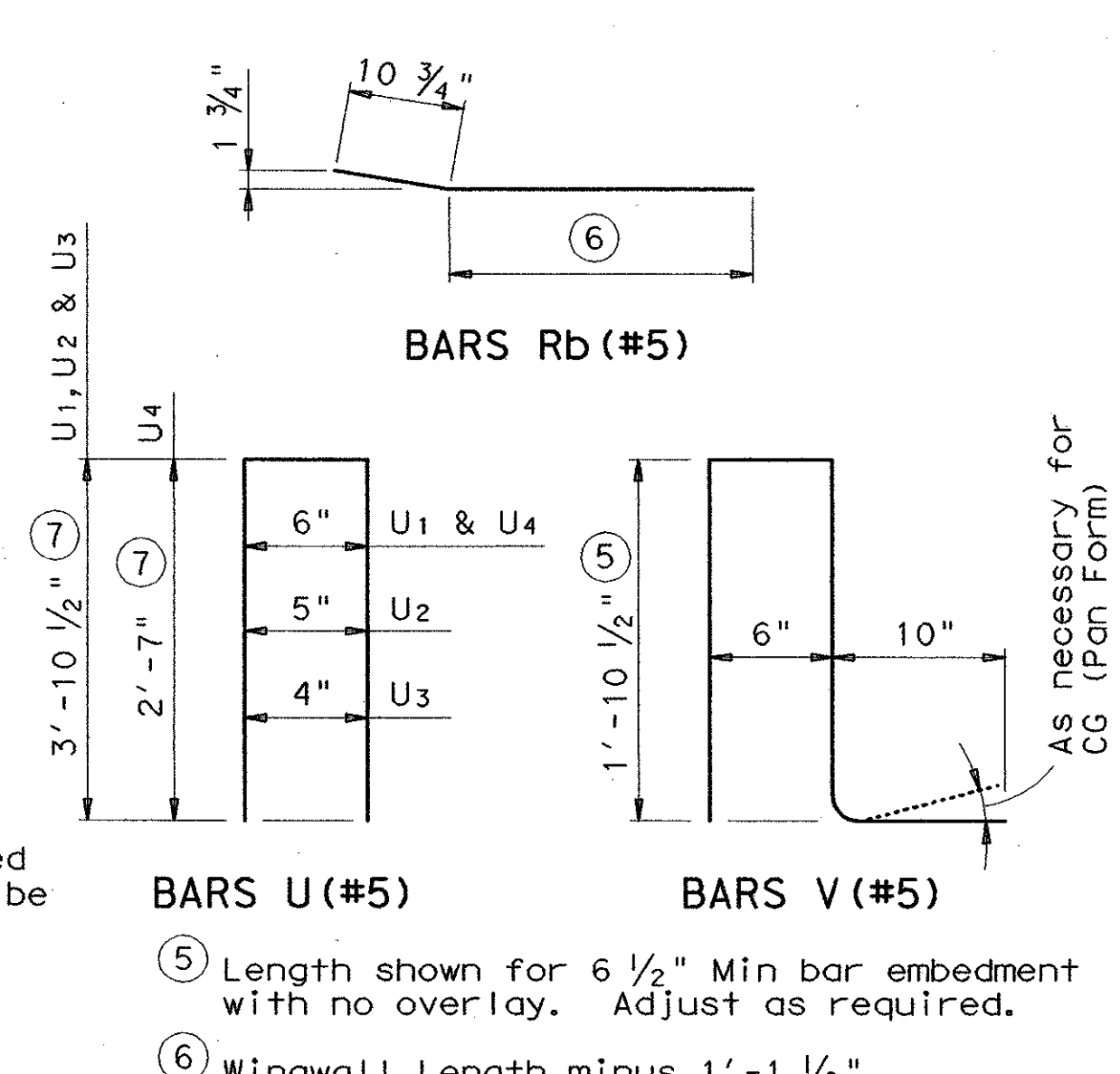
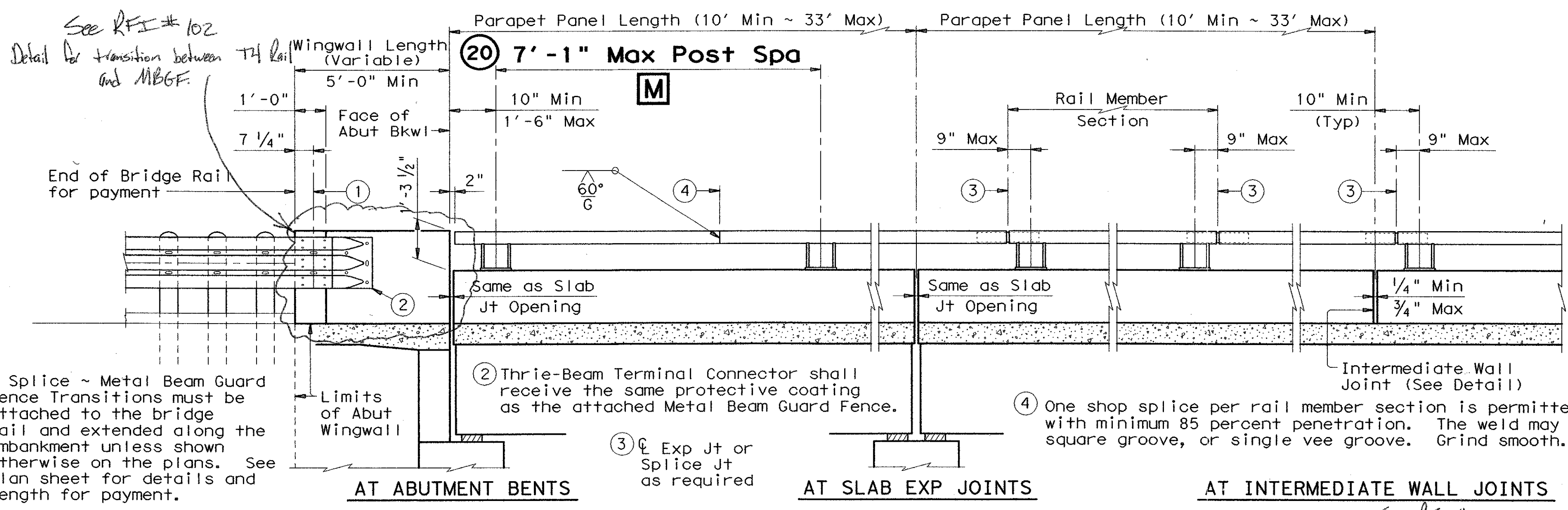
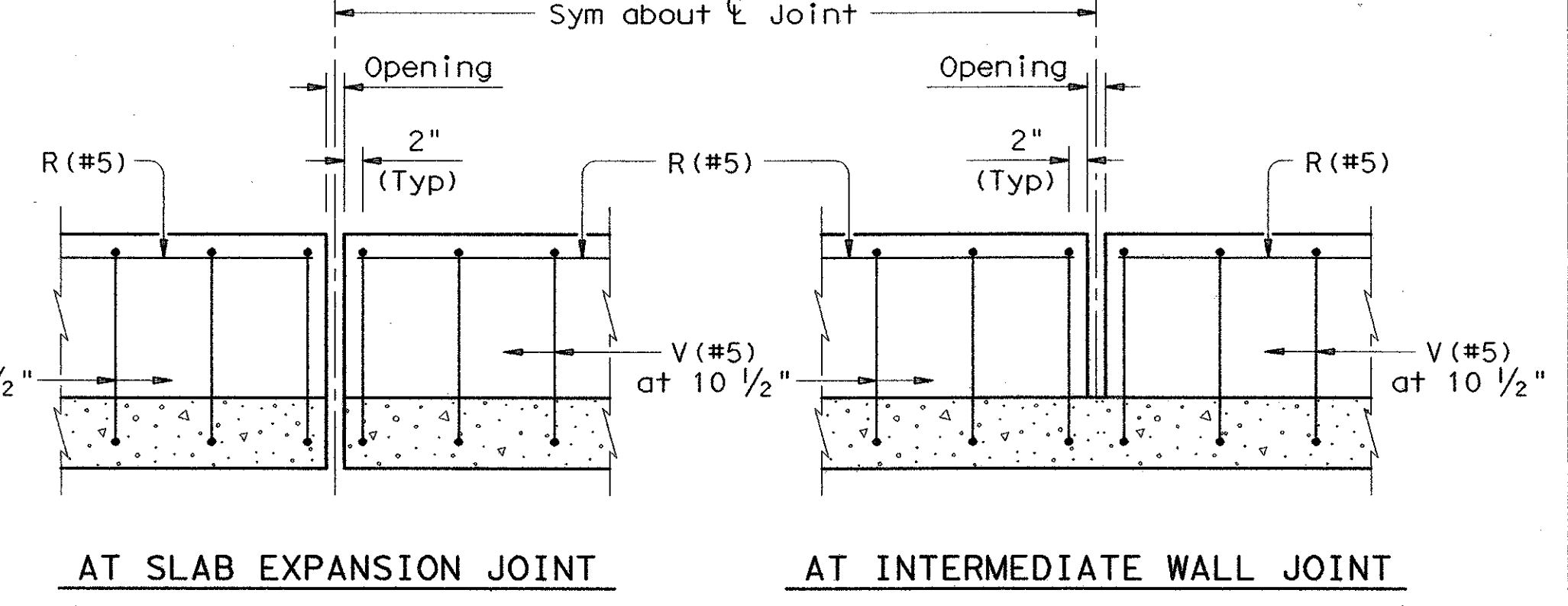
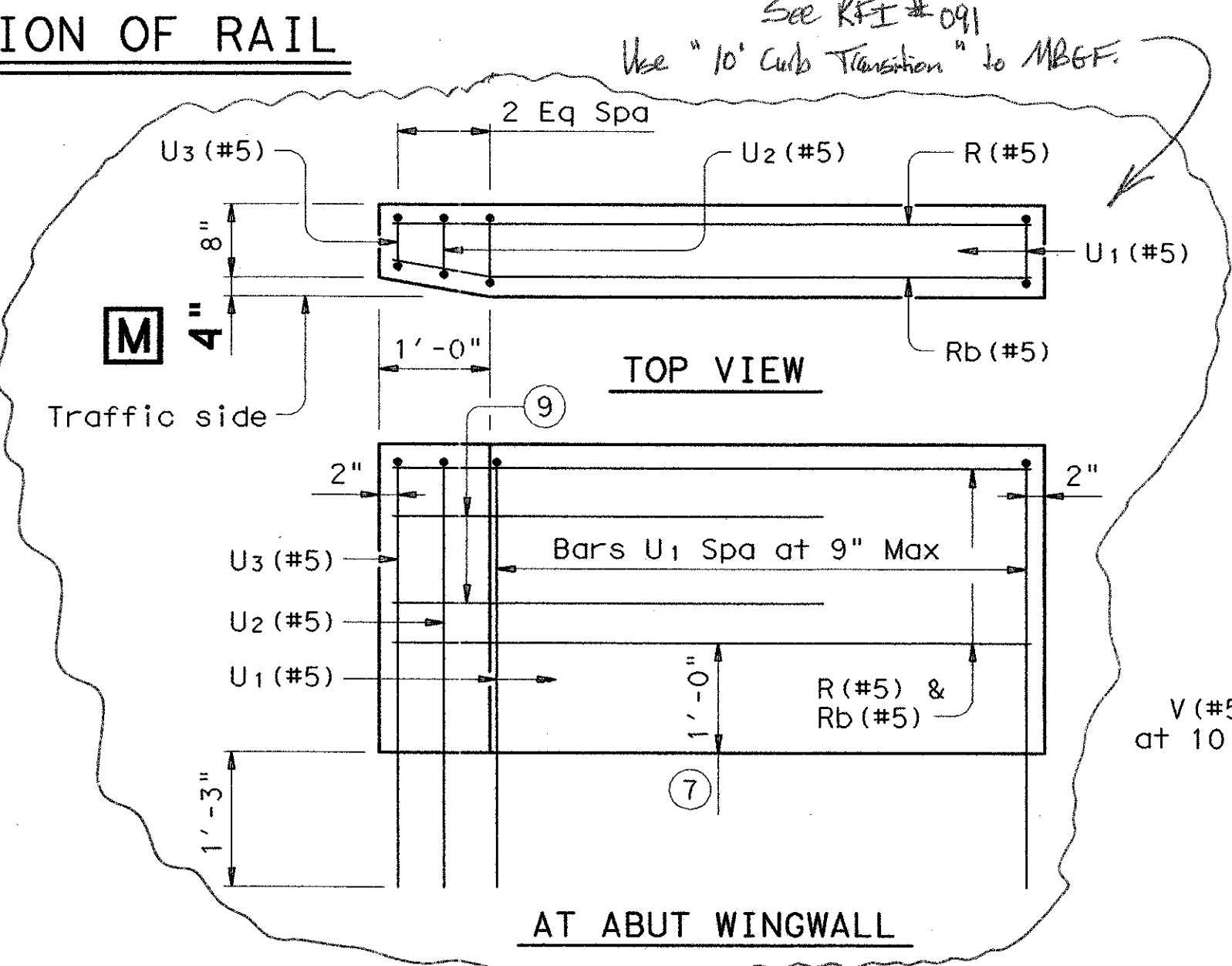


DISCLAIMER: The use of this standard is governed by the "Texas Engineering Practice Act". No warranty of any kind is made by TxDOT for any purpose whatsoever. TxDOT assumes no responsibility for the conversion of this standard to other formats or for incorrect results or damages resulting from its use.

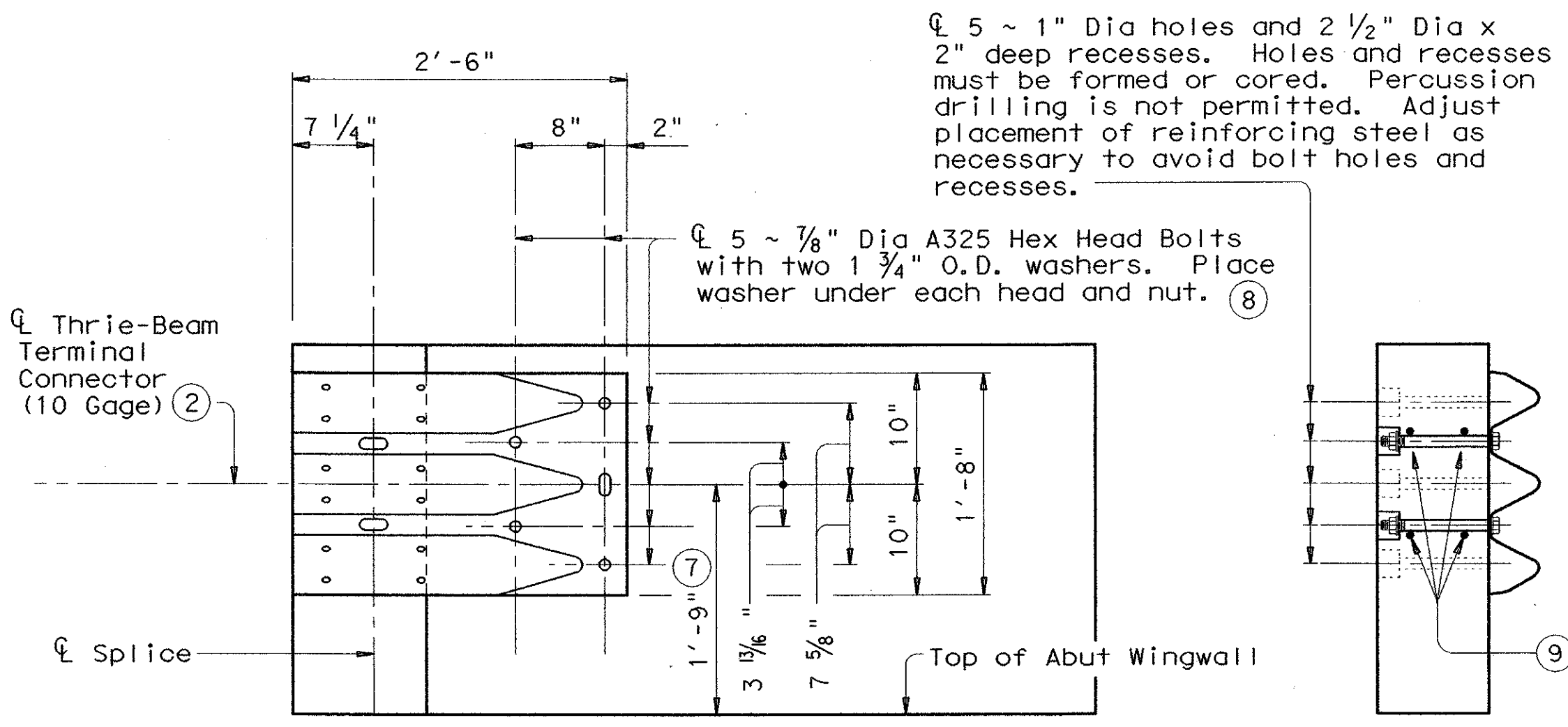


- ① Splice ~ Metal Beam Guard Fence Transitions must be attached to the bridge rail and extended along the embankment unless shown otherwise on the plans. See plan sheet for details and length for payment.
- ② Thrie-Beam Terminal Connector shall receive the same protective coating as the attached Metal Beam Guard Fence.
- ③ Exp Jt or Splice Jt as required
- ④ One shop splice per rail member section is permitted with minimum 85 percent penetration. The weld may be square groove, or single vee groove. Grind smooth.
- ⑤ Length shown for 6 1/2 inch bar embedment with no overlay. Adjust as required.
- ⑥ Wingwall Length minus 1'-1 1/2"
- ⑦ Increase 2" for structures with overlay.
- ⑧ Bolts shall be sufficient length to extend 1/2" to 3/4" beyond nut.
- ⑨ 4 additional Bars R(#5) 3'-8" in length shall be placed inside Bars U(#5) and centered 2'-0" from end of rail when Terminal Connections are required. Field bend as needed.

ROADWAY ELEVATION OF RAIL

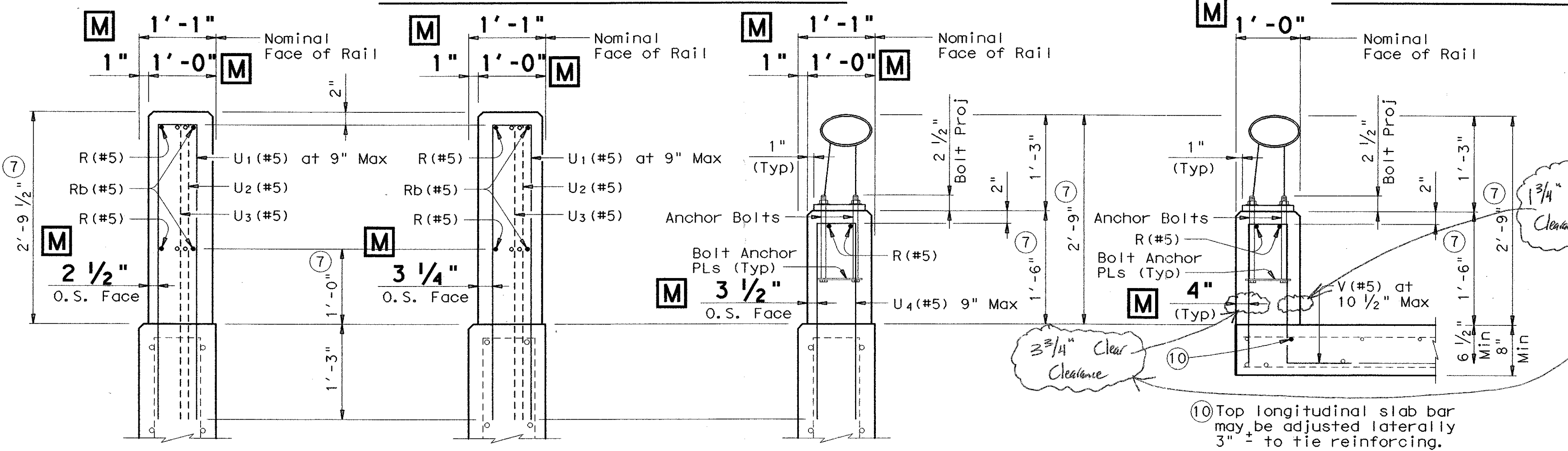


- M** 20 Post spacing shall align with ped rail posts.



TERMINAL CONNECTION DETAILS

Note: Bolt recesses are only required when pedestrian sidewalks are adjacent to back of rail.



SECTIONS THRU RAIL

ON CANTILEVER ABUT WINGWALLS OR CIP RETAINING WALLS
 ON FOUNDED ABUT WINGWALLS
 ON CIP RETAINING WALLS
 ON BRIDGE SLAB

M Types T4(S) MOD A

M MODIFIED ITEMS



See RFI #074
 Rebar Clearance for T4 Rail

7/1/04

Texas Department of Transportation
 Bridge Division

TRAFFIC RAIL (STEEL)

TYPE T4(S) (MOD) A

| | | | | |
|-----------------------|----------|---------------------|---------|---------|
| FILE: r1stdel3.dgn | DW: JJP | CK: RLR | DW: JTR | CK: DWM |
| © TxDOT February 2003 | DISTRICT | FEDERAL AID PROJECT | SHEET | |
| REVISIONS | COUNTY | CONTROL SECT | JOB | BR-64 |

LEVELS DISPLAYED

| | | | |
|---|------|----|----------|
| 1 | 2021 | 44 | 60618263 |
| 2 | 10 | | |