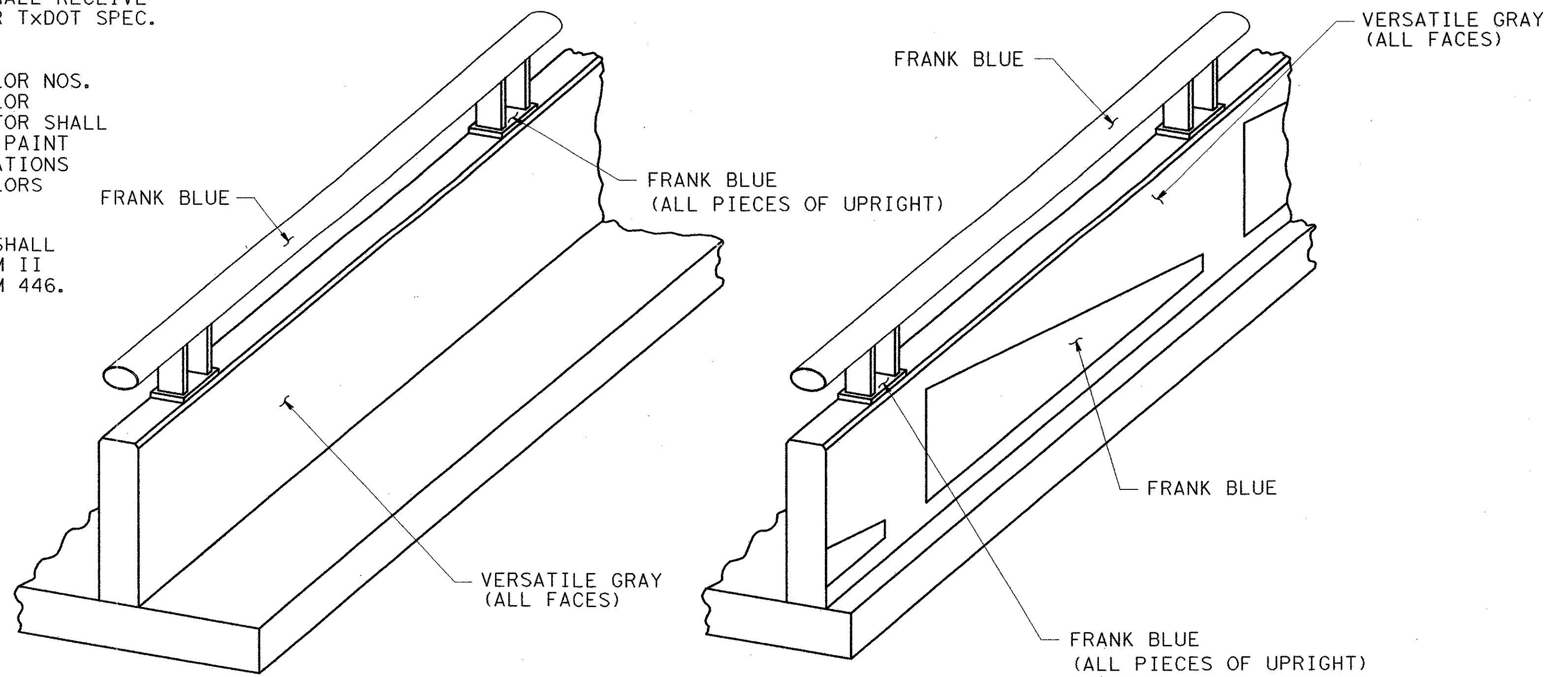


HORIZONTAL SCHEME		SHERWIN WILLIAMS COLOR # 6967 (FRANK BLUE) OR EQUAL	SHERWIN WILLIAMS COLOR # 6072 (VERSATILE GRAY) OR EQUAL
MSE WALL	PANEL		X
	COPING ACCENT		X
	ADDISON LOGO	X	
STRUCTURES	COLUMN		X
	COLUMN CAP		X
	ADDISON LOGO	X	
	BEAM		X
	ARCH	X	
	BENTS 9 & 10 SUPPORTS	X	
	STINGER	X	
RAIL	SW WARNING STRIP	X	
	PEDESTRIAN RAIL	X	
	T4(S) (MOD) A	X	X
	T4(S) (MOD) B	X	X

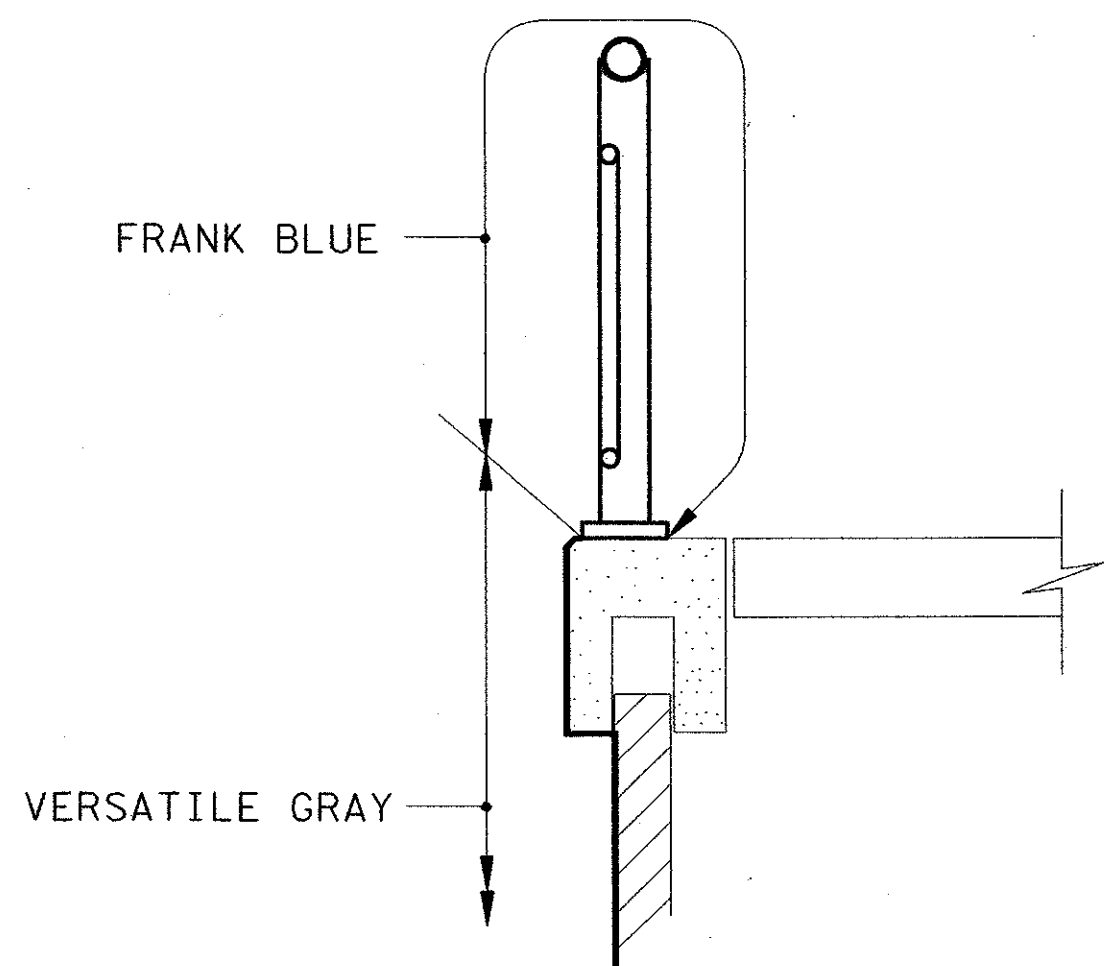
GENERAL NOTES:

1. CONCRETE SURFACES SHALL RECEIVE A CLASS B FINISH PER TXDOT SPEC. ITEM 427.
2. SHERWIN WILLIAMS COLOR NOS. ARE PROVIDED FOR COLOR REFERENCE. CONTRACTOR SHALL PROVIDE AN APPROVED PAINT AS PER THE SPECIFICATIONS THAT MATCHES THE COLORS AS SHOWN.
3. PAINTING FOR STEEL SHALL BE PROTECTIVE SYSTEM II PER TXDOT SPEC. ITEM 446.

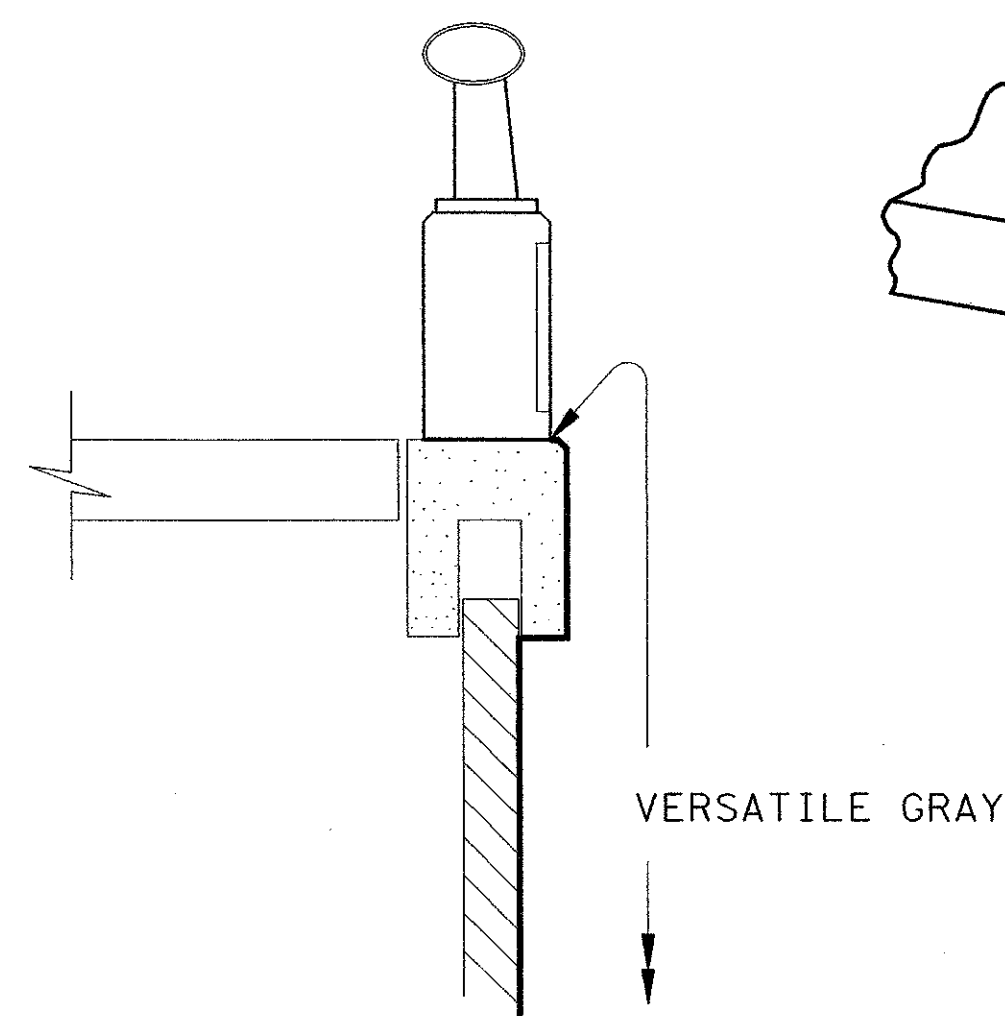


PAINT DETAIL
T4(S) (MOD) B

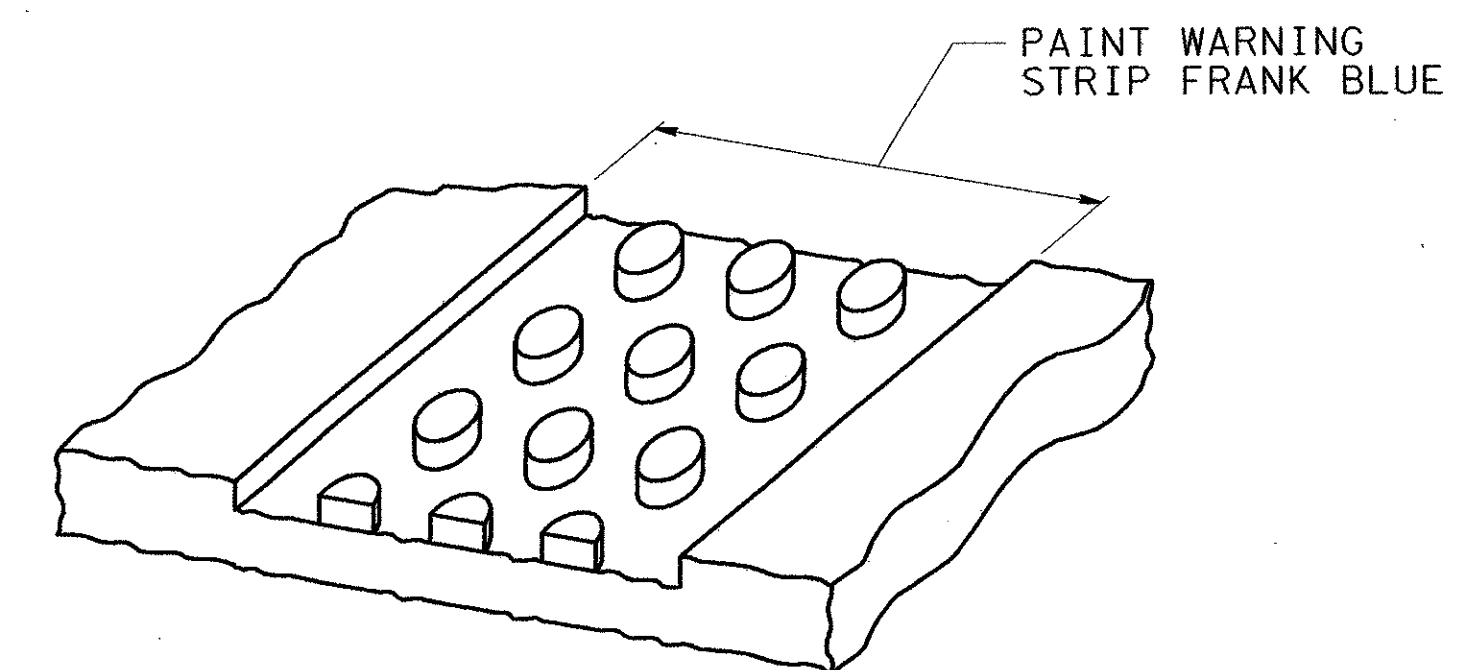
PAINT DETAIL
T4(S) (MOD) A



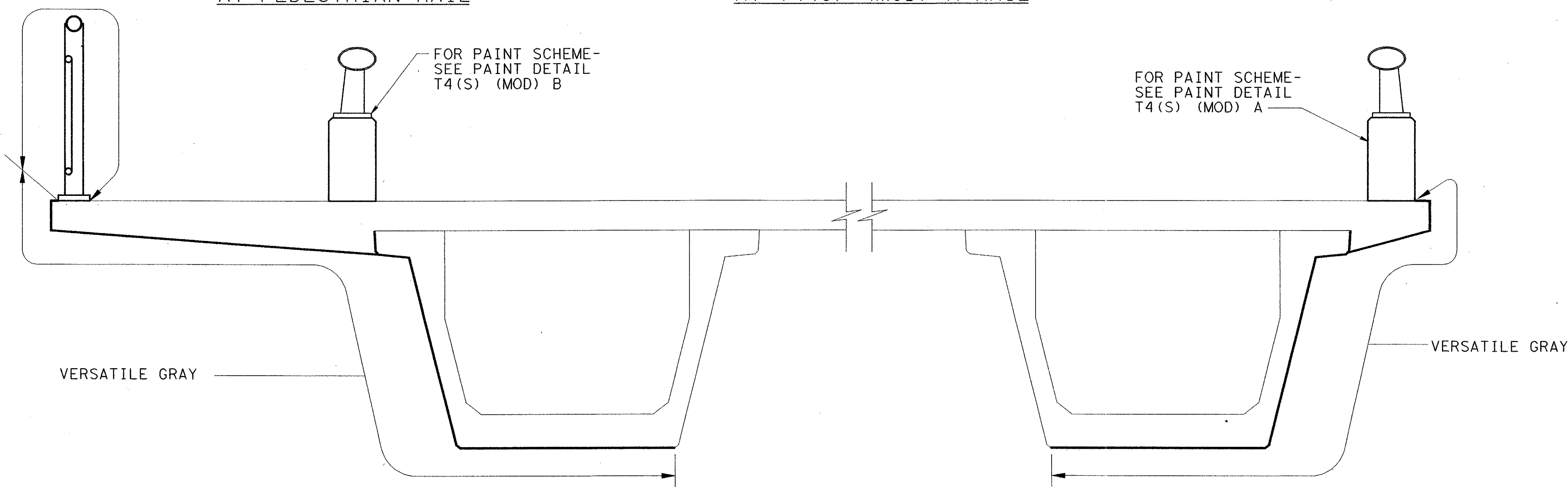
SECTION THRU RETAINING WALL
AT PEDESTRIAN RAIL



SECTION THRU RETAINING WALL
AT T4(S) (MOD) A RAIL



WARNING STRIP



SECTION THRU BRIDGE AT SIDEWALK
("U" BEAM)

SECTION THRU BRIDGE
("U" BEAM)



1		05/24/04	ADDENDUM CHANGES	CRH
NO.	DATE	REVISION	APPROV.	
URS GREYSTONE CENTRE 5010 LBJ FREEWAY, SUITE 1500 DALLAS, TX 75254				
ARAPAHO ROAD - PHASE III				
SURVEYOR BOULEVARD TO ADDISON ROAD				
SURFACE FINISHES FOR STRUCTURES				
TOWN OF ADDISON, TEXAS				
Design	Drawn	DATE	SCALE	PROJECT NO. SHEET NO.
Check	Check	05-07-04		25768 BR-69