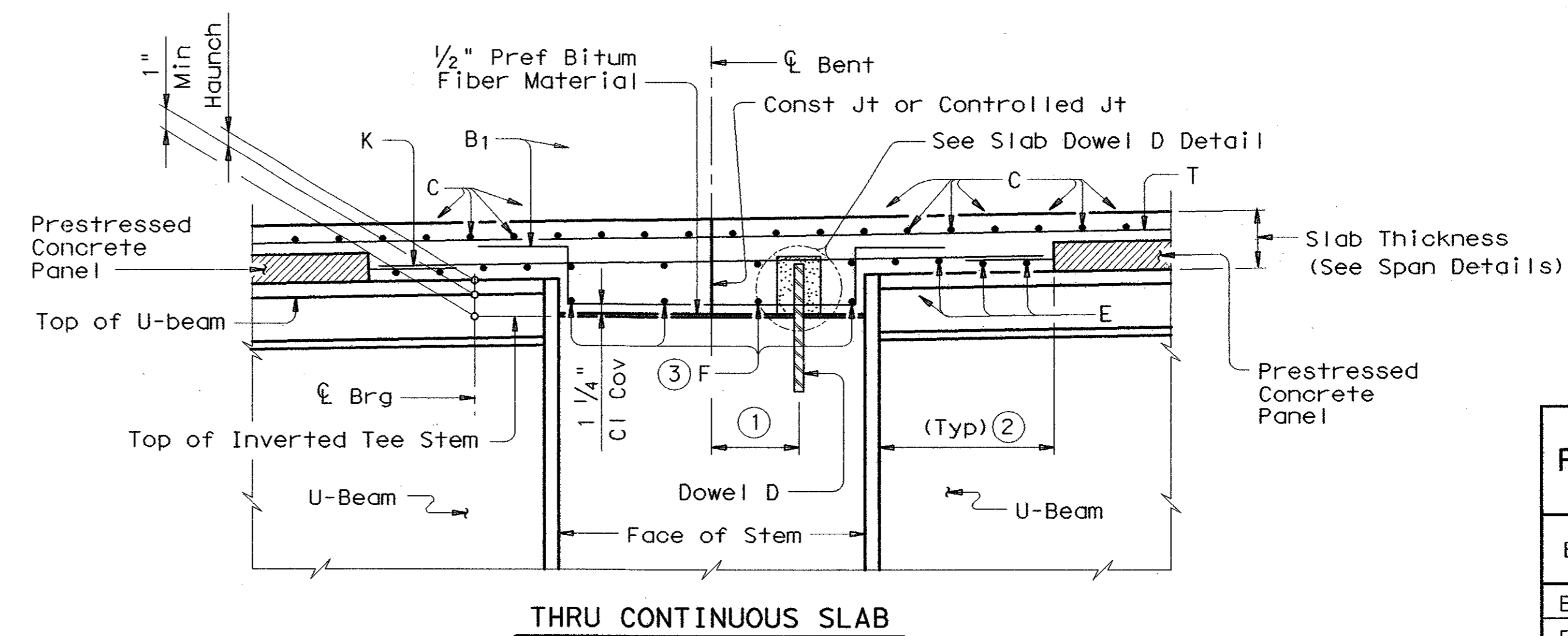
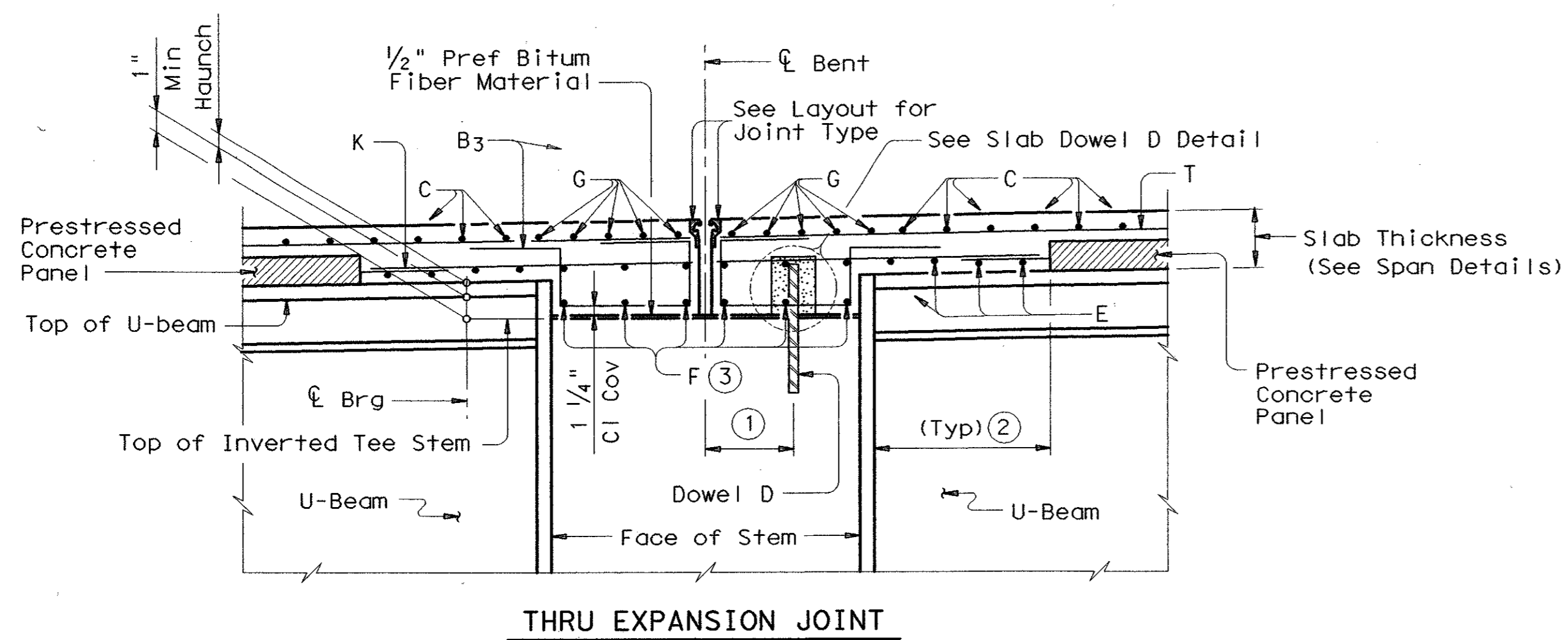


DISCLAIMER: The use of this standard is governed by the "Texas Engineering Practice Act". No warranty of any kind is made by TxDOT for any purpose whatsoever. TxDOT assumes no responsibility for the conversion of this standard to other formats or for incorrect results or damages resulting from its use.

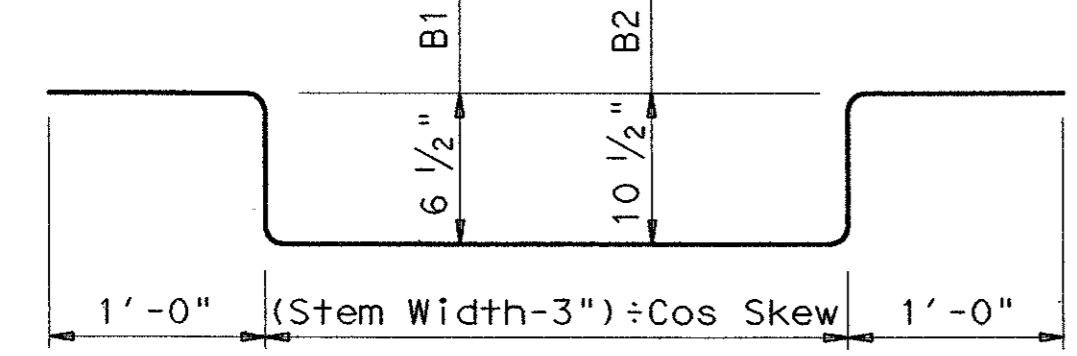
LEVELS DISPLAYED	ACC:
1 2	(L) = 1, 2 for English
	63



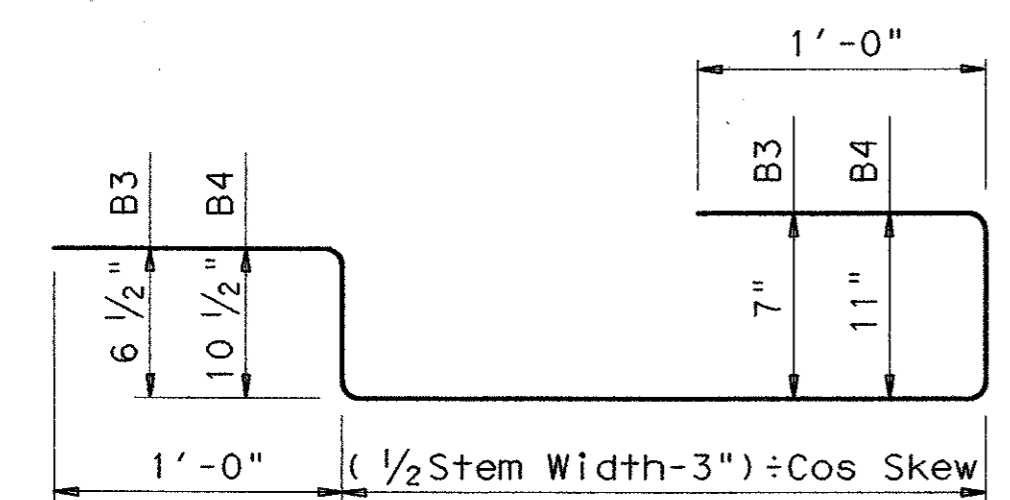
BAR	SIZE	MAX SPA (in)
B1&3	#4	12
B2&4	#4	~
F	#4	~

Max Spa as listed unless otherwise shown in plans.

**LONGITUDINAL SECTION OF SLAB OVER INVERTED TEE BENT**

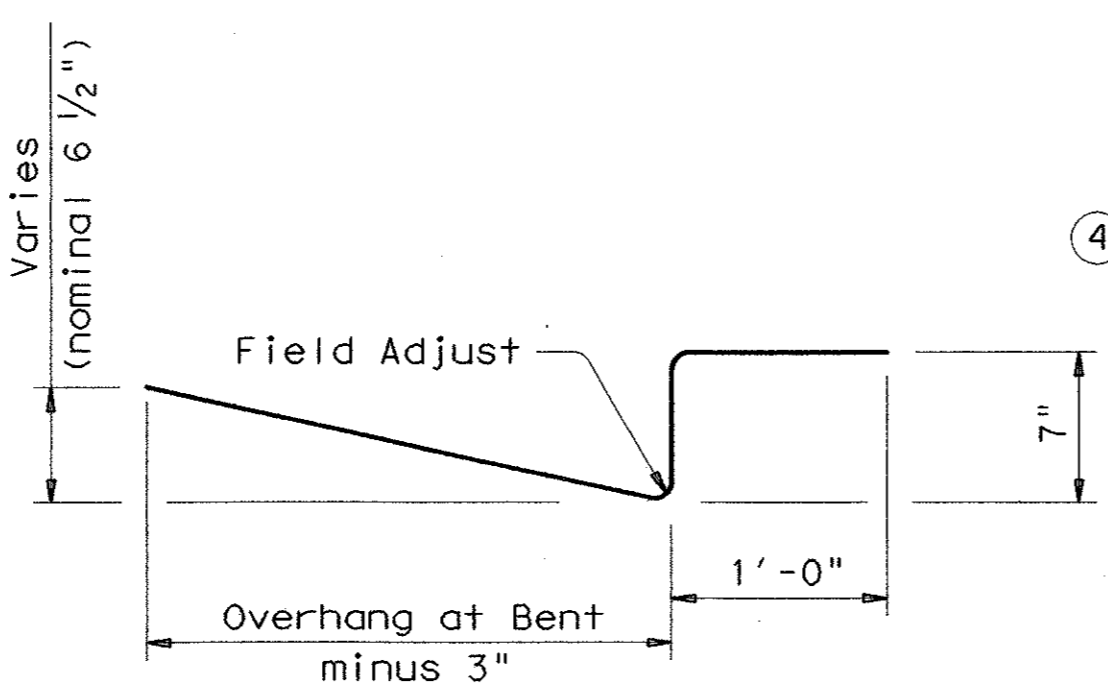


BARS B1(#4) and B2(#4)

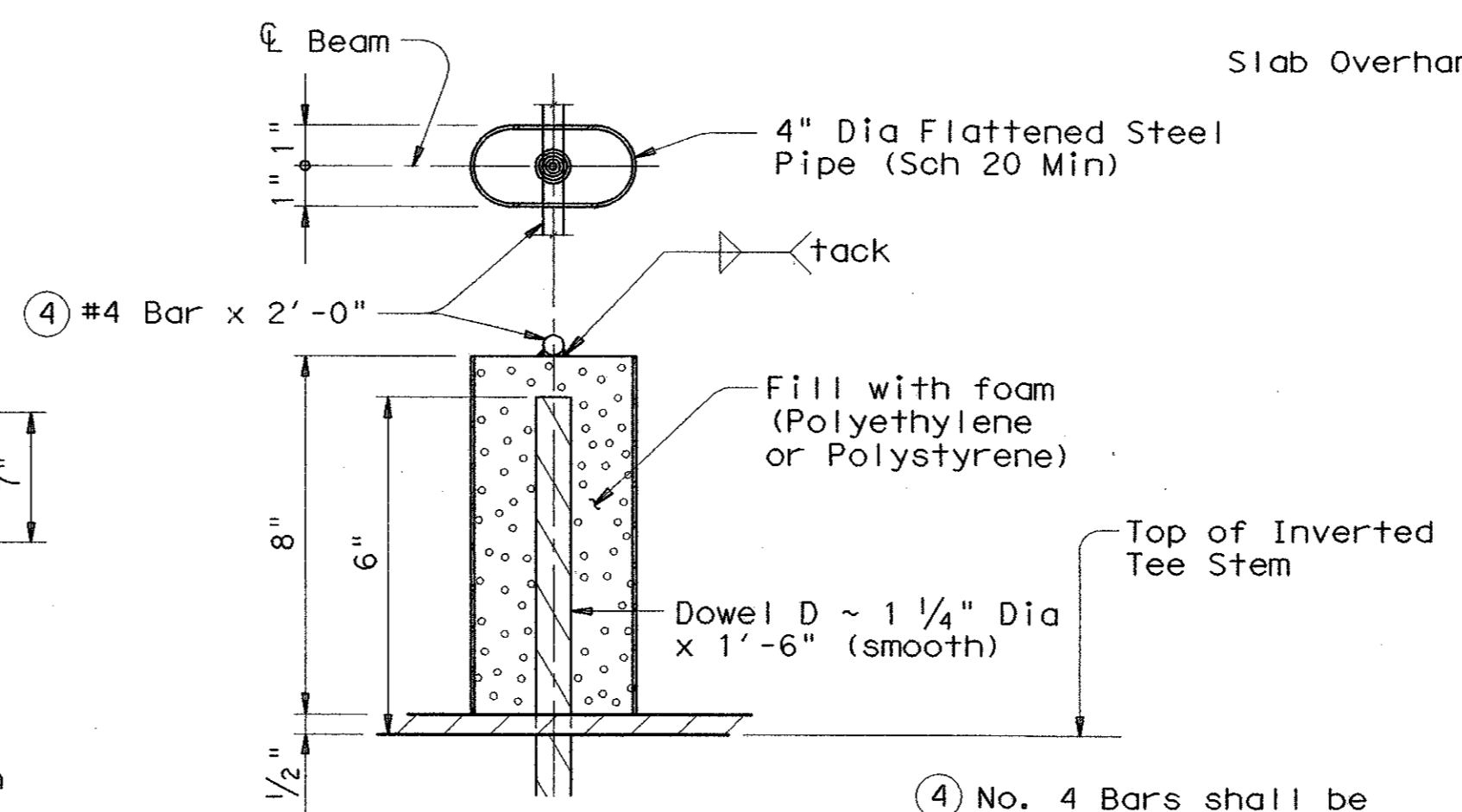


BARS B3(#4) and B4(#4)

- ① See Bent sheets for dimension.
- ② See PCP(U) sheets for panel placement.
- ③ Bars F are parallel to  $\phi$  Bent.

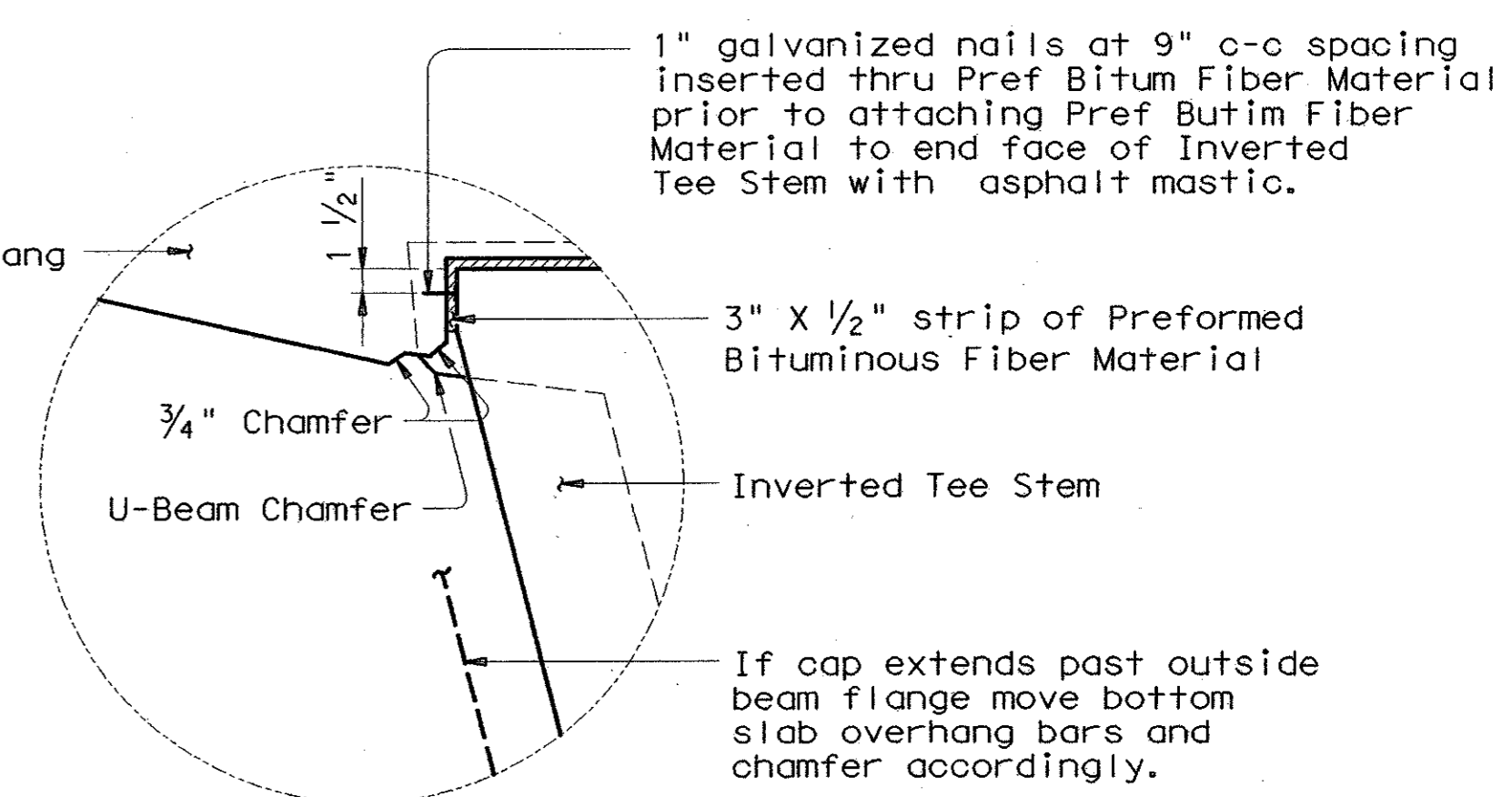


BARS Z2(#4)  
Bars Z2 shall be field adjusted to match actual slope of slab overhang.



**SLAB DOWEL D DETAIL**

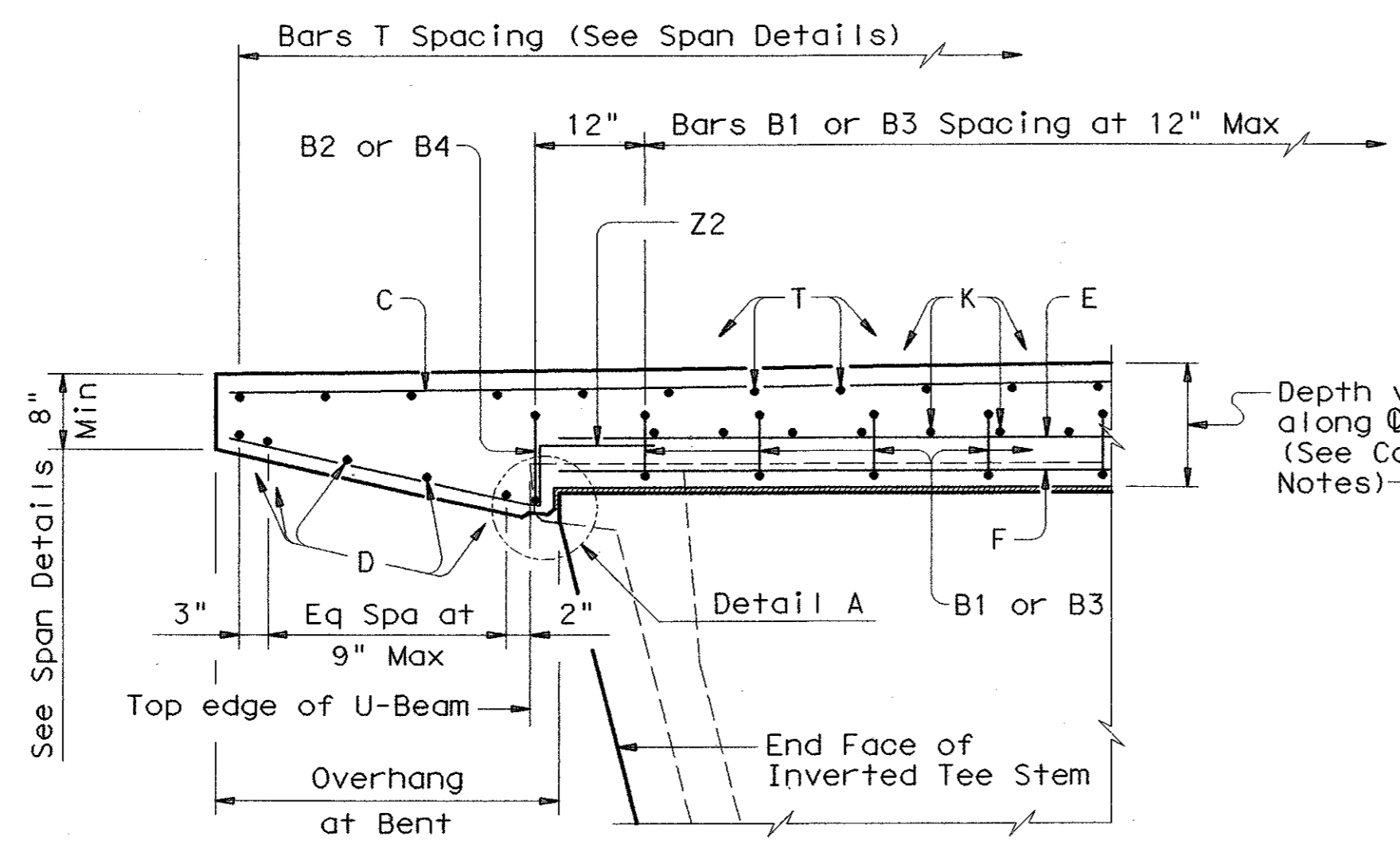
- ④ No. 4 Bars shall be field bent and tied securely to Bars E or K.



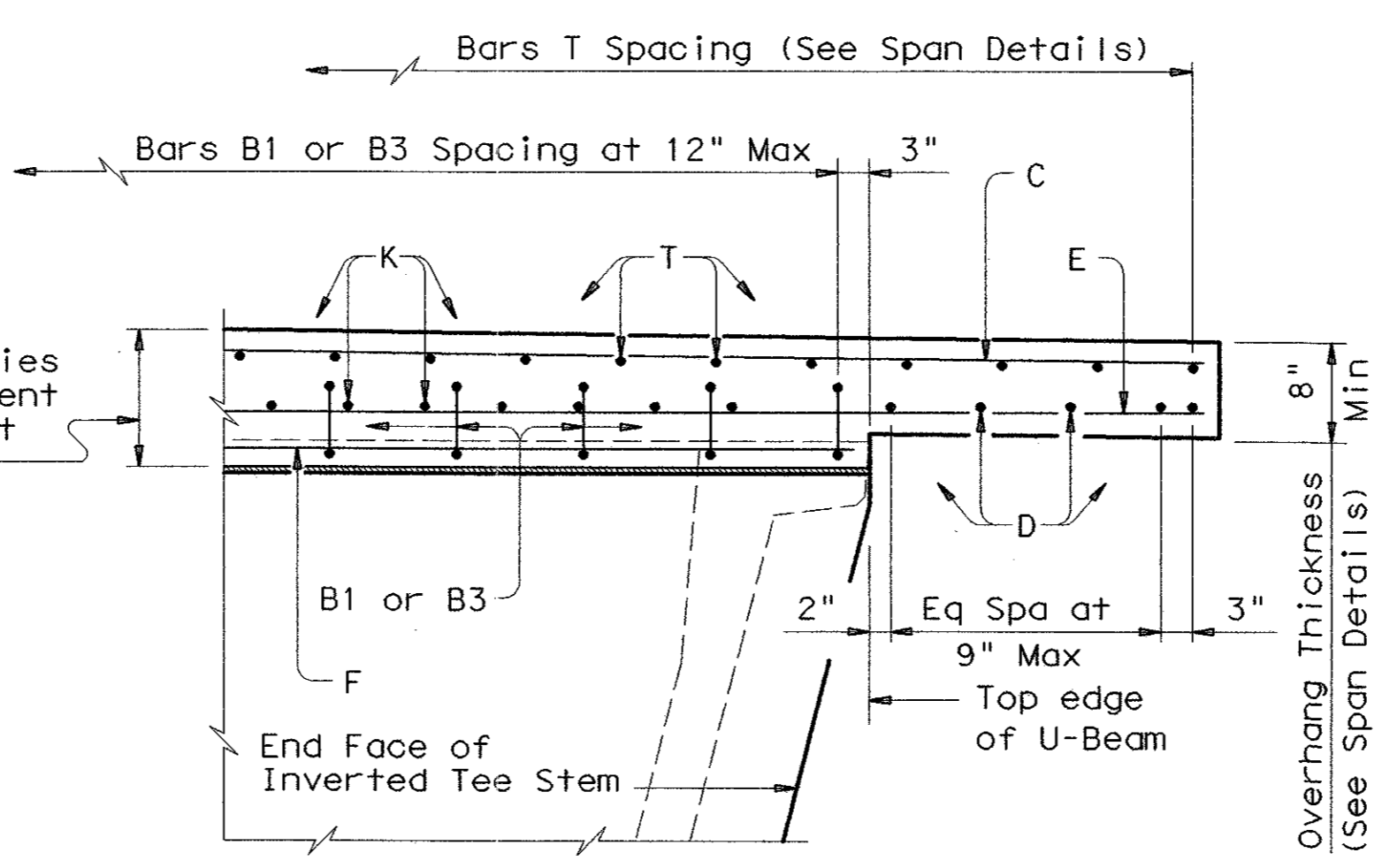
DETAIL A

**GENERAL NOTES:**

Bars B1, B2, B3 and B4 are dimensioned assuming a 12" slab thickness at the centerline of bent. Slab thickness at the centerline of bent may vary; adjust bar dimensions as required to maintain proper distance between bar and top of cap.  
See Layout and Bent sheets for location of slab dowels.



SHOWING SLOPED OVERHANG



SHOWING NORMAL OVERHANG

**TRANSVERSE SECTION THRU SLAB OVER INVERTED TEE BENT**

HS20 LOADING 317

Texas Department of Transportation  
Design Division (Bridge)  
**MISCELLANEOUS  
SLAB DETAILS**  
(FOR PRESTR CONC U-BEAMS  
AT INVERTED TEE BENTS)

**UBMST**

FILE: ubst004.dgn	DN: TxDOT	CK: TGA	DW: BWH	CK: TGA	STD: B542
© TxDOT March 1998	DIST	FED REG	FEDERAL AID PROJECT		SHEET
REVISIONS	6				BS-9
	COUNTY	CONTROL	SECT	JOB	HIGHWAY