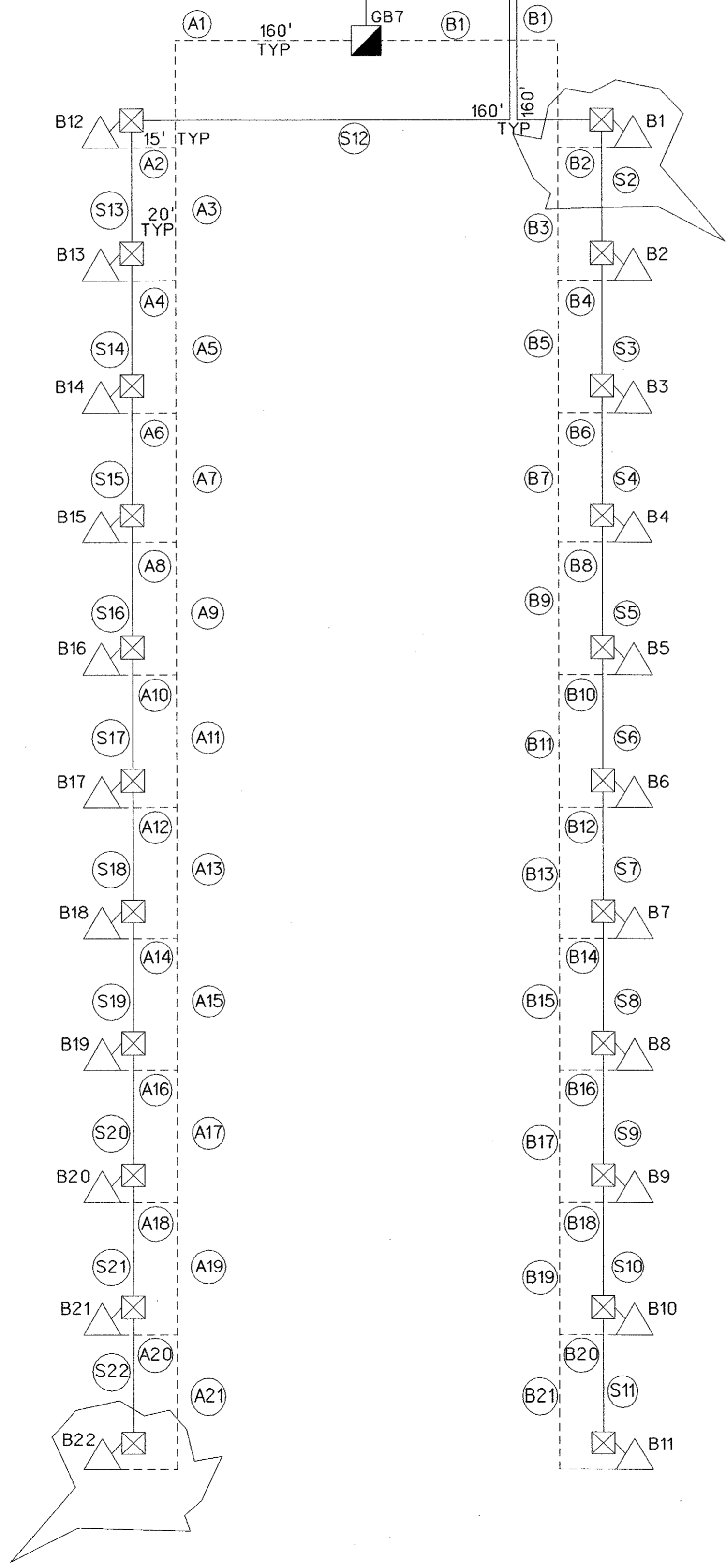


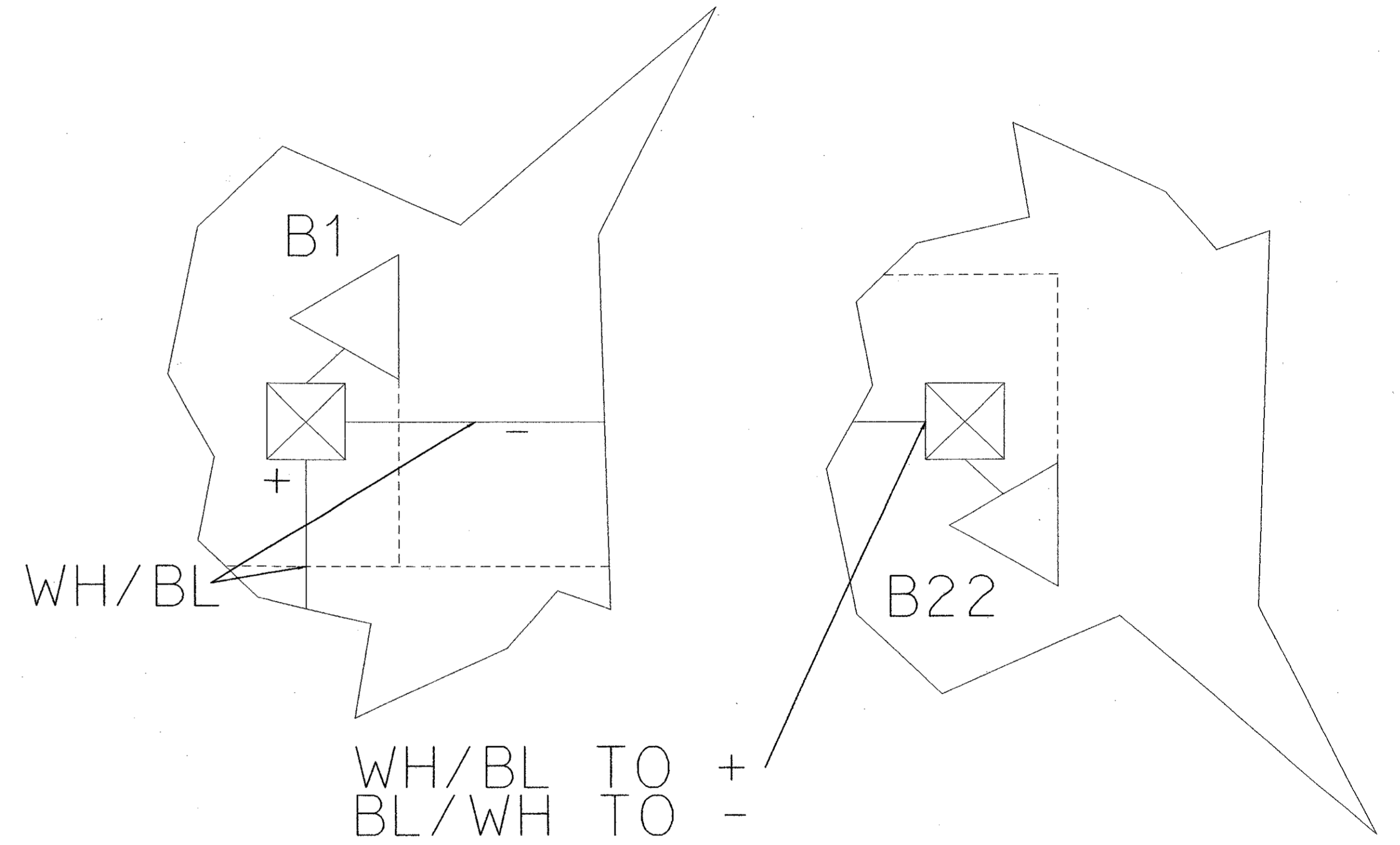
CIRCUIT "K"
COMMUNICATIONS
CABLE (2 PR SH BELDEN
9842/3/4" RMC)



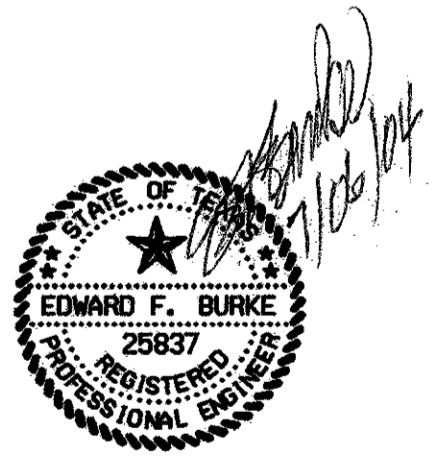
CIRCUIT "A"
NORTH SIDE OF BRIDGE
(RMC ON NORTH EDGE OF PAVEMENT)

CIRCUIT "B"
SOUTH SIDE OF BRIDGE
(RMC ON SOUTH EDGE OF PAVEMENT)

DRIVER CONNECTION DIAGRAM



- LEGEND:**
- GROUND BOX
 - CONDUIT: SEE CONDUIT SCHEDULE FOR SIZE
 - △ □ FIXTURE WITH PULL BOX
 - SIGNAL WIRE: SEE DRAWING FOR SPEC



| | | | | | | | |
|---|-------|-------|----|----------|-------|-------------|-----------|
| NO. | | DATE | | REVISION | | APPROV. | |
| URS GREYSTONE CENTRE 3010 LBJ FREEWAY, SUITE 1500 DALLAS, TX 75234 | | | | | | | |
| ARAPAHO ROAD - PHASE III SURVEYOR BOULEVARD TO ADDISON ROAD | | | | | | | |
| WIRING DIAGRAM DIAPHRAGM LED | | | | | | | |
| TOWN OF ADDISON, TEXAS | | | | | | | |
| Design | EFB | Drawn | DT | DATE | SCALE | PROJECT NO. | SHEET NO. |
| Check | Check | | | 05-07-04 | | 25768 | BL - 20 |