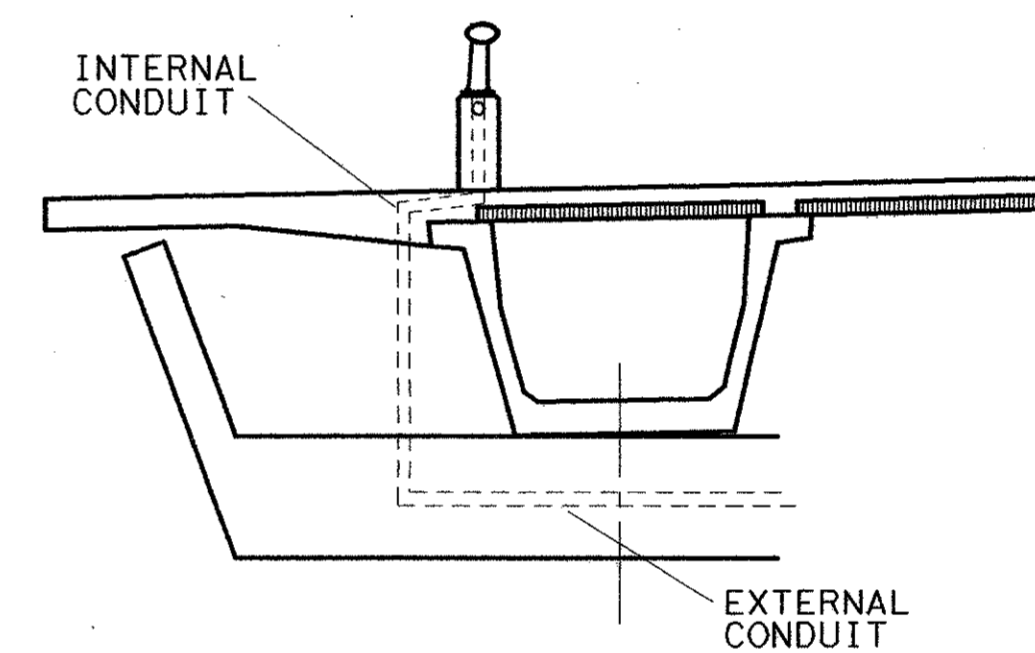
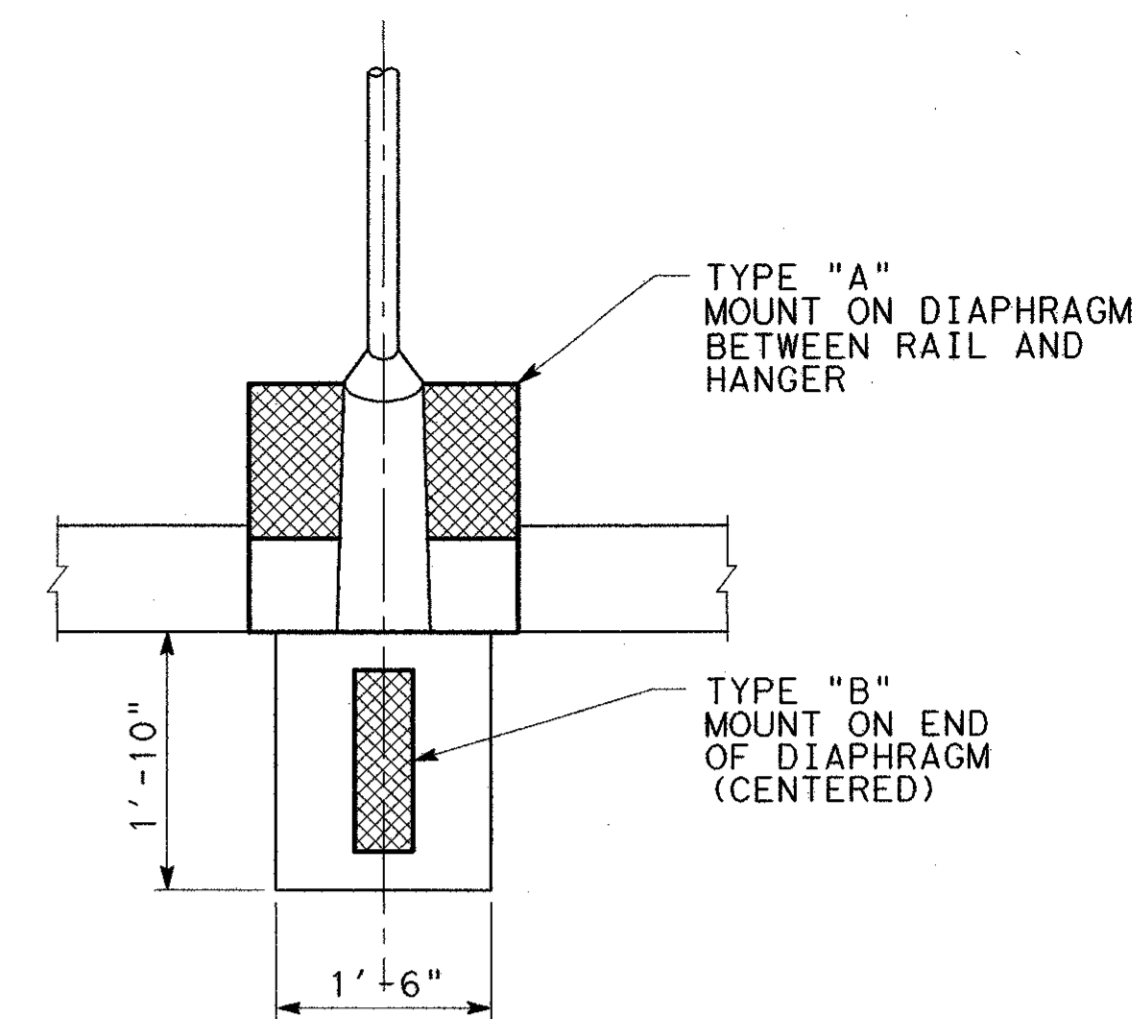
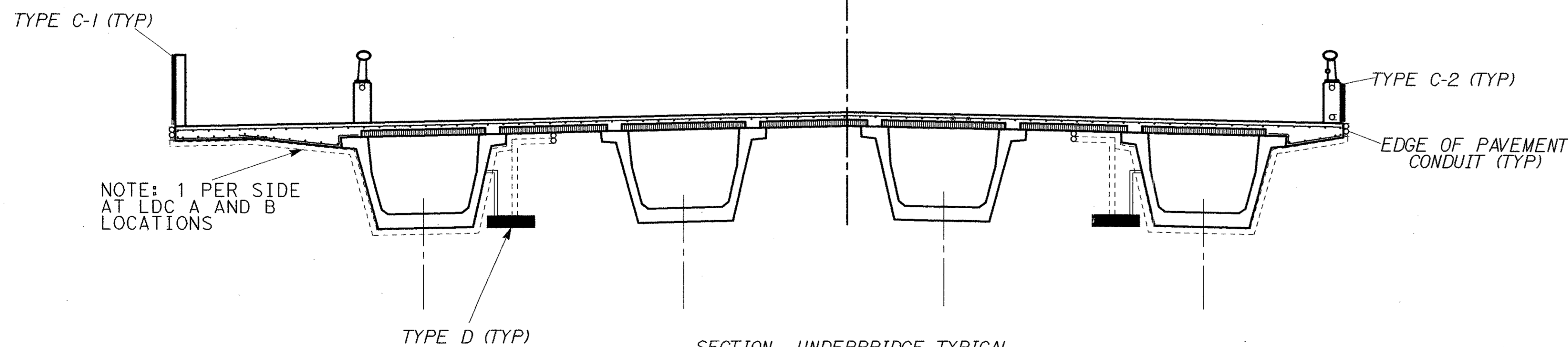


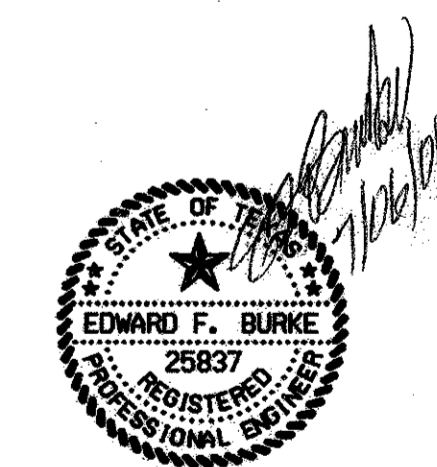
SECTION - CENTERSPAN UNDERBRIDGE TYPICAL



CUTAWAY - UNDERBRIDGE TYPICAL SECTION (BENTS 8 & 11)



SECTION - UNDERBRIDGE TYPICAL



				331	
NO.	DATE	REVISION	APPROV.		
<b>URS</b> GREYSTONE CENTRE 5810 LBJ FREEWAY, SUITE 1300 DALLAS, TX 75254					
<b>ARAPAHO ROAD - PHASE III</b> SURVEYOR BOULEVARD TO ADDISON ROAD					
BRIDGE LIGHTING CONDUIT LOCATIONS					
TOWN OF ADDISON, TEXAS					
Design	EFB	Drawn	DT	DATE	SCALE
Check	Check	05-07-04	25768	BL-10	