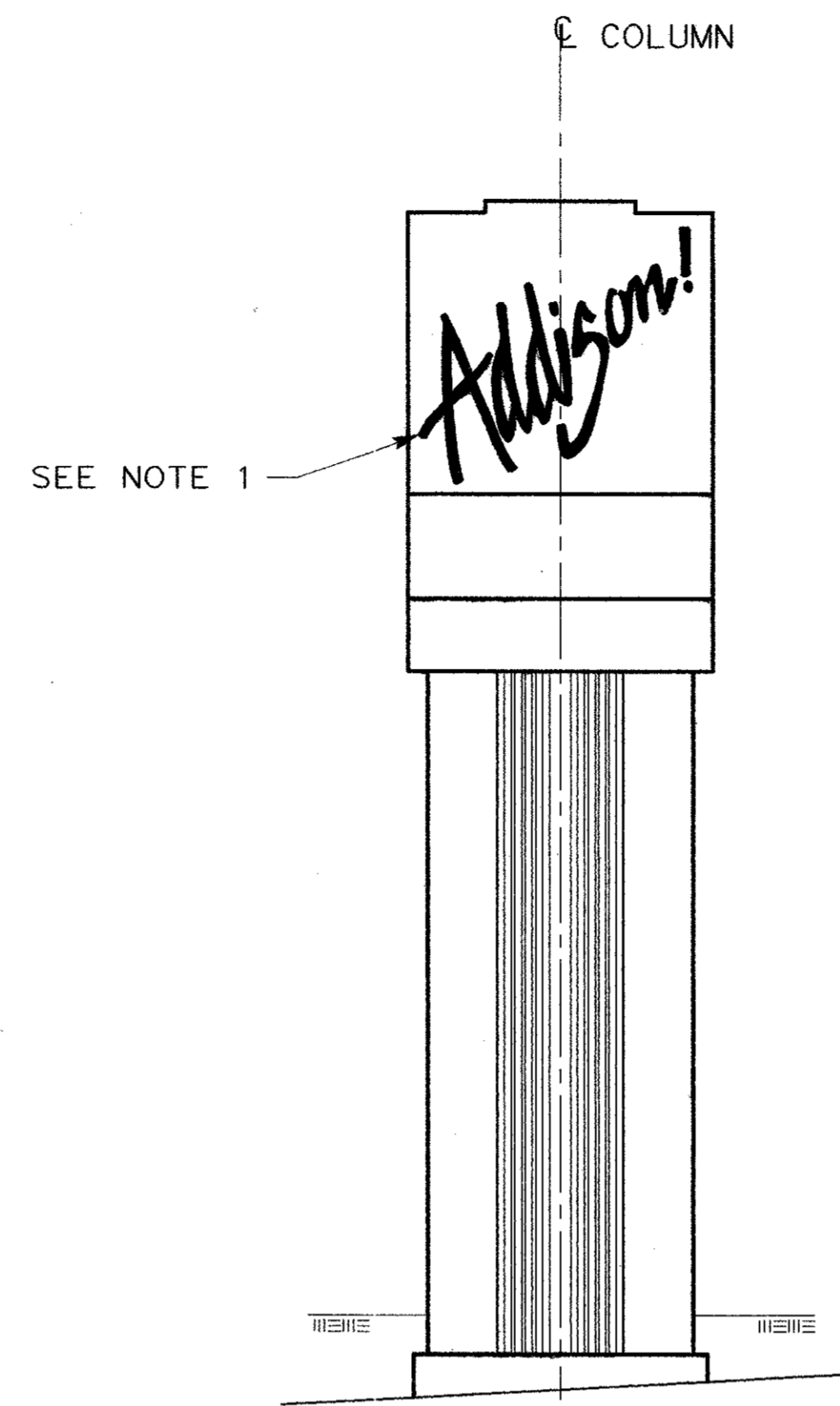


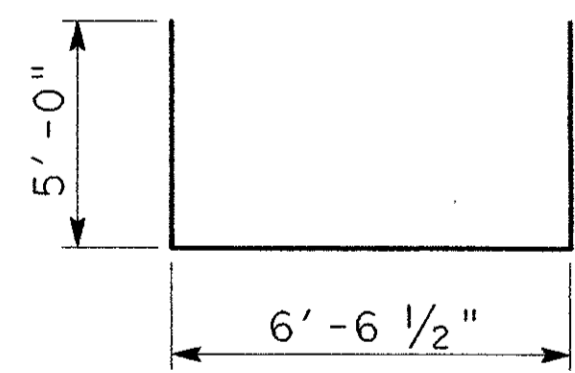
FRONT VIEW



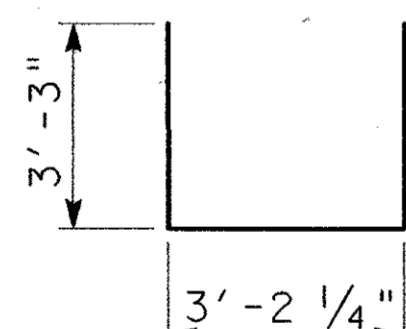
SIDE VIEW

NOTES:

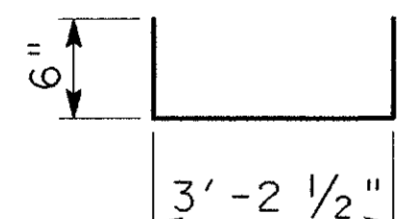
- CONTRACTOR TO COORDINATE WITH THE TOWN OF ADDISON FOR THE ADDISON LOGO. ADDISON LOGO SHOULD BE FORMED ON THE CAP END AND PROTRUDE 1 1/2" FROM THE FACE OF CONCRETE. SEE SURFACE FINISHES FOR STRUCTURES SHEET FOR FINISH COLOR.



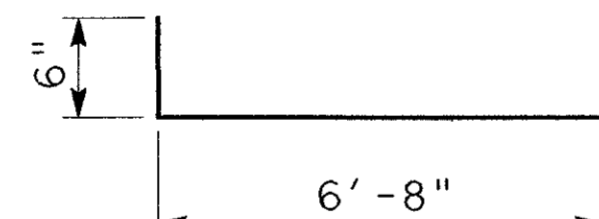
BARS U4



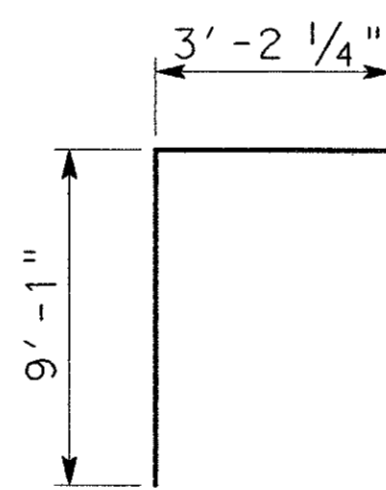
BARS K



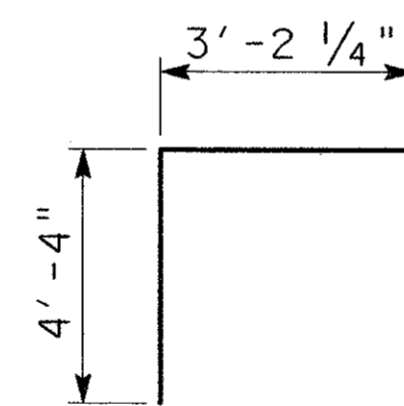
BARS E



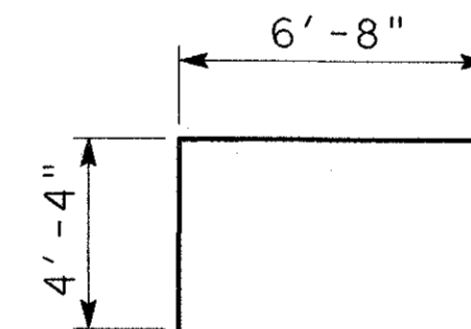
BARS E1



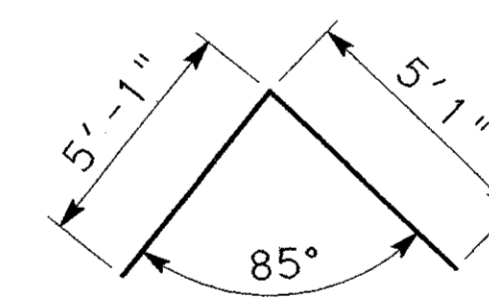
BARS S1



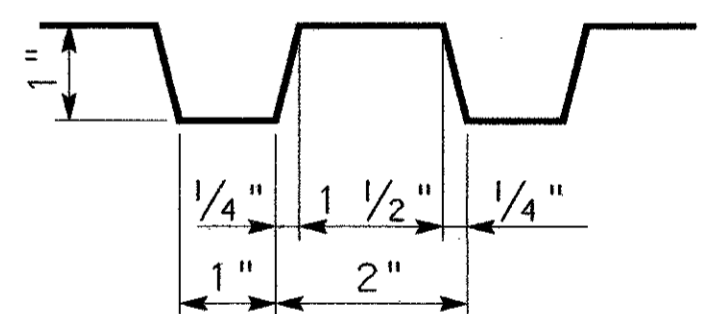
BARS S2



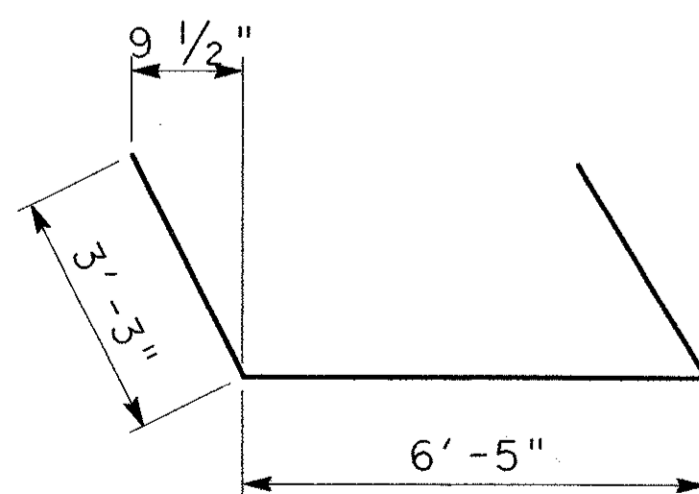
BARS M1



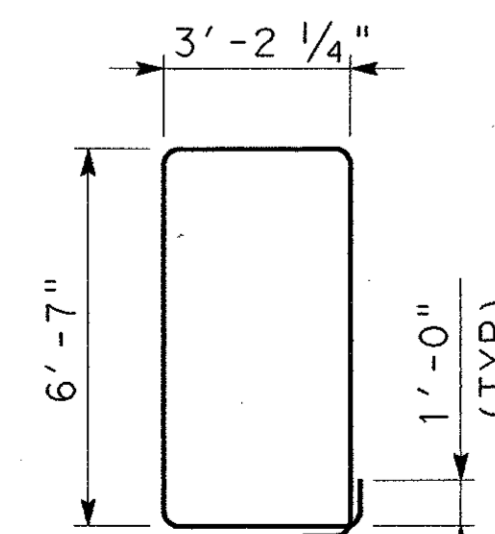
BARS G



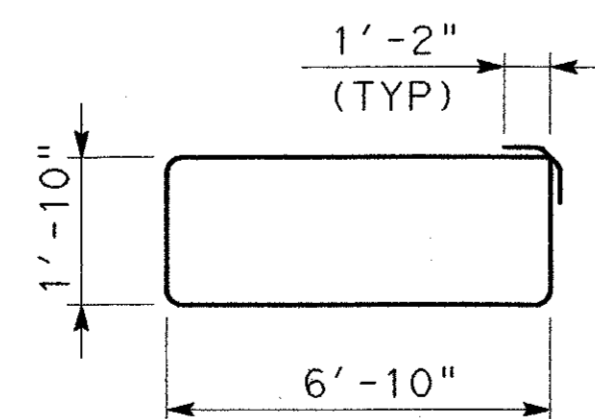
DETAIL A



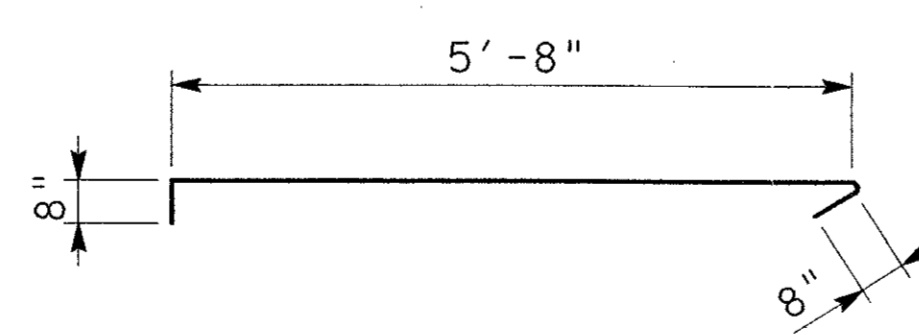
BARS U1



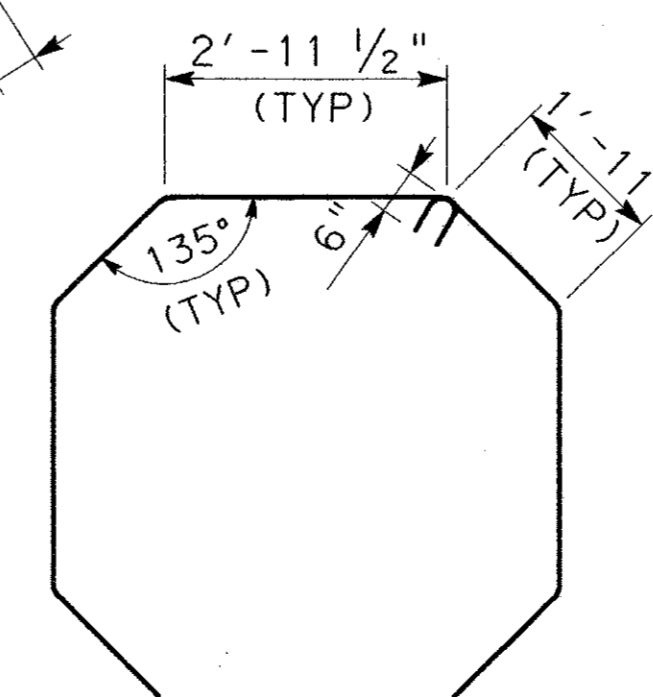
BARS S



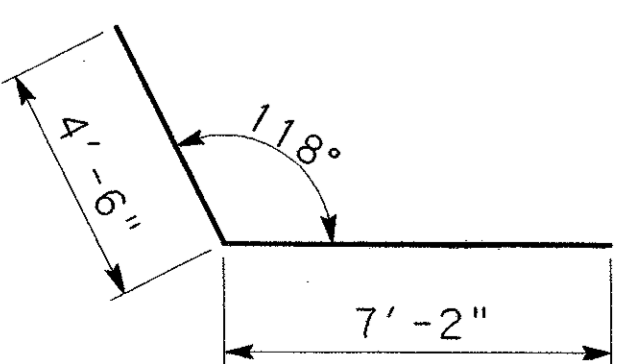
BARS M



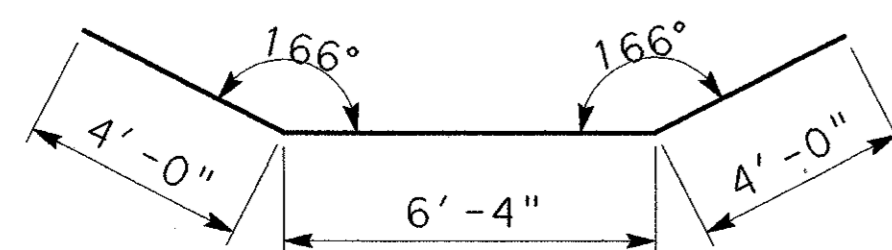
BARS H2



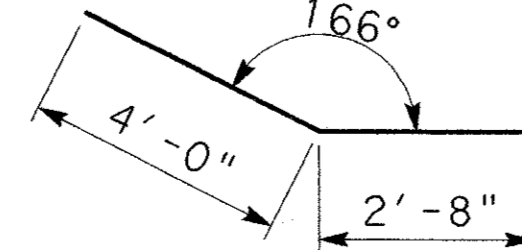
BARS H1



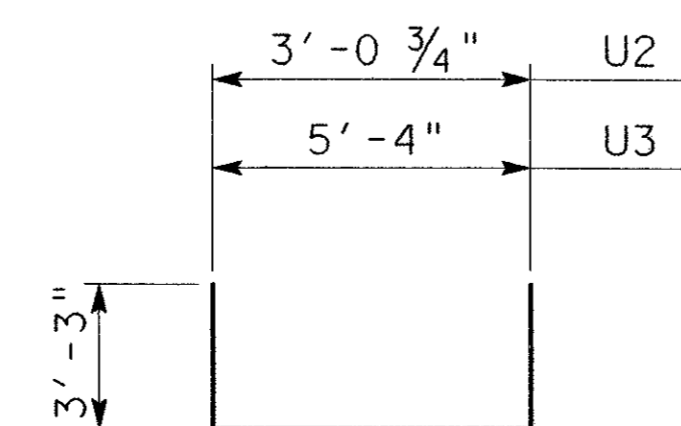
BARS B1



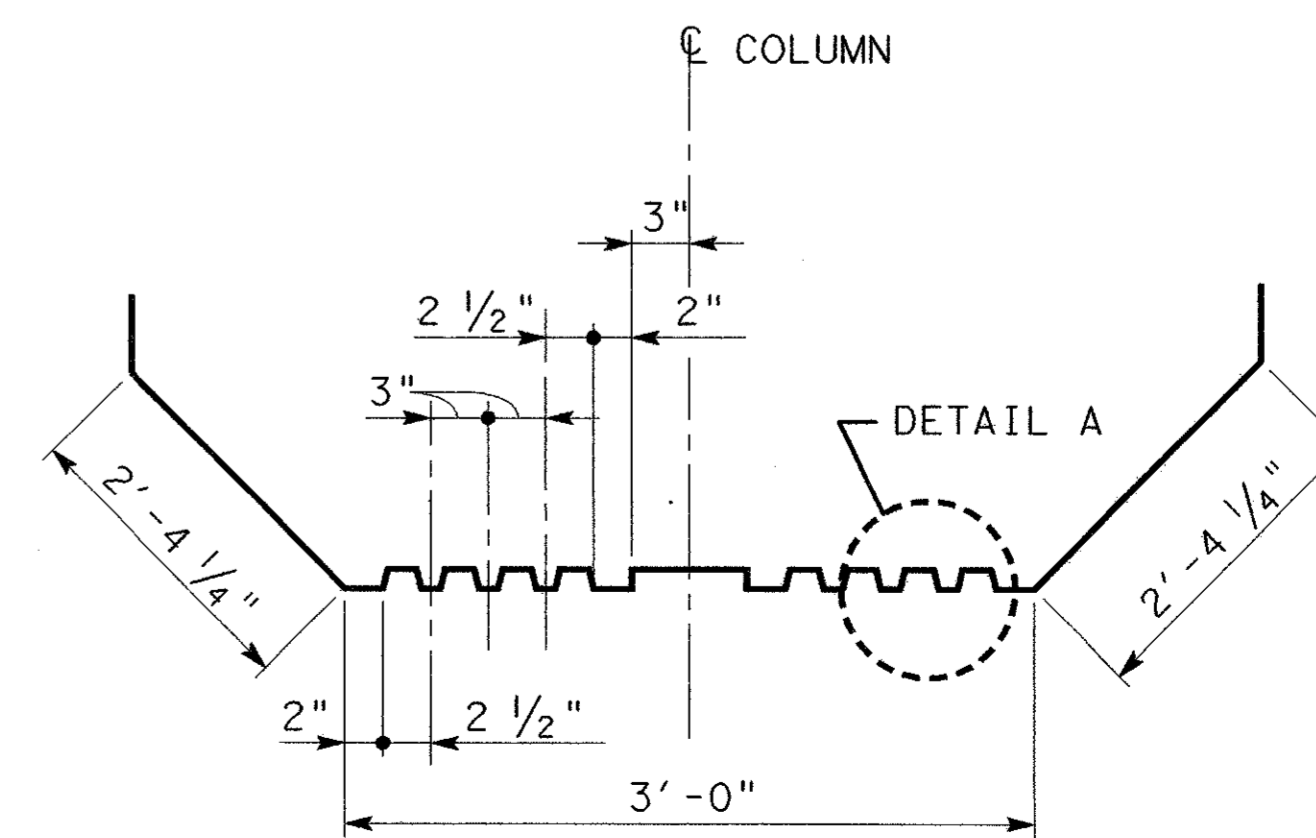
BARS B2



BARS B3



BARS U2 & U3



RUSTICATION DETAIL



NO.	DATE	REVISION	APPROV.	258
URS				
GREYSTONE CENTRE 5010 LBJ FREEWAY, SUITE 1300 DALLAS, TX 75234				
ARAPAHO ROAD - PHASE III				
SURVEYOR BOULEVARD TO ADDISON ROAD				
BENTS 2 - 8 & 11 - 14 DETAILS				
SHEET 3 OF 3				
TOWN OF ADDISON, TEXAS				
Design	Drawn	DATE	SCALE	PROJECT NO. SHEET NO.
Check	Check	05-07-04	25768	BR-20