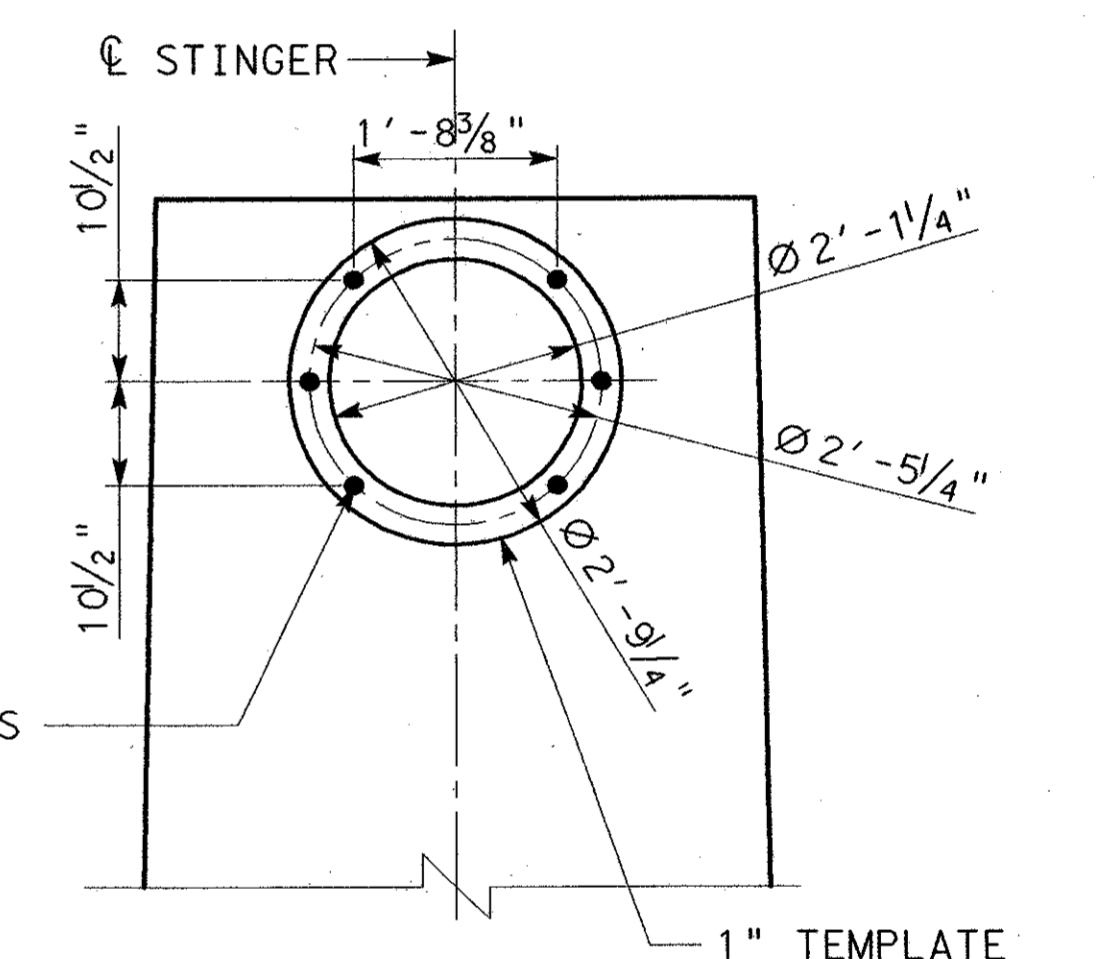
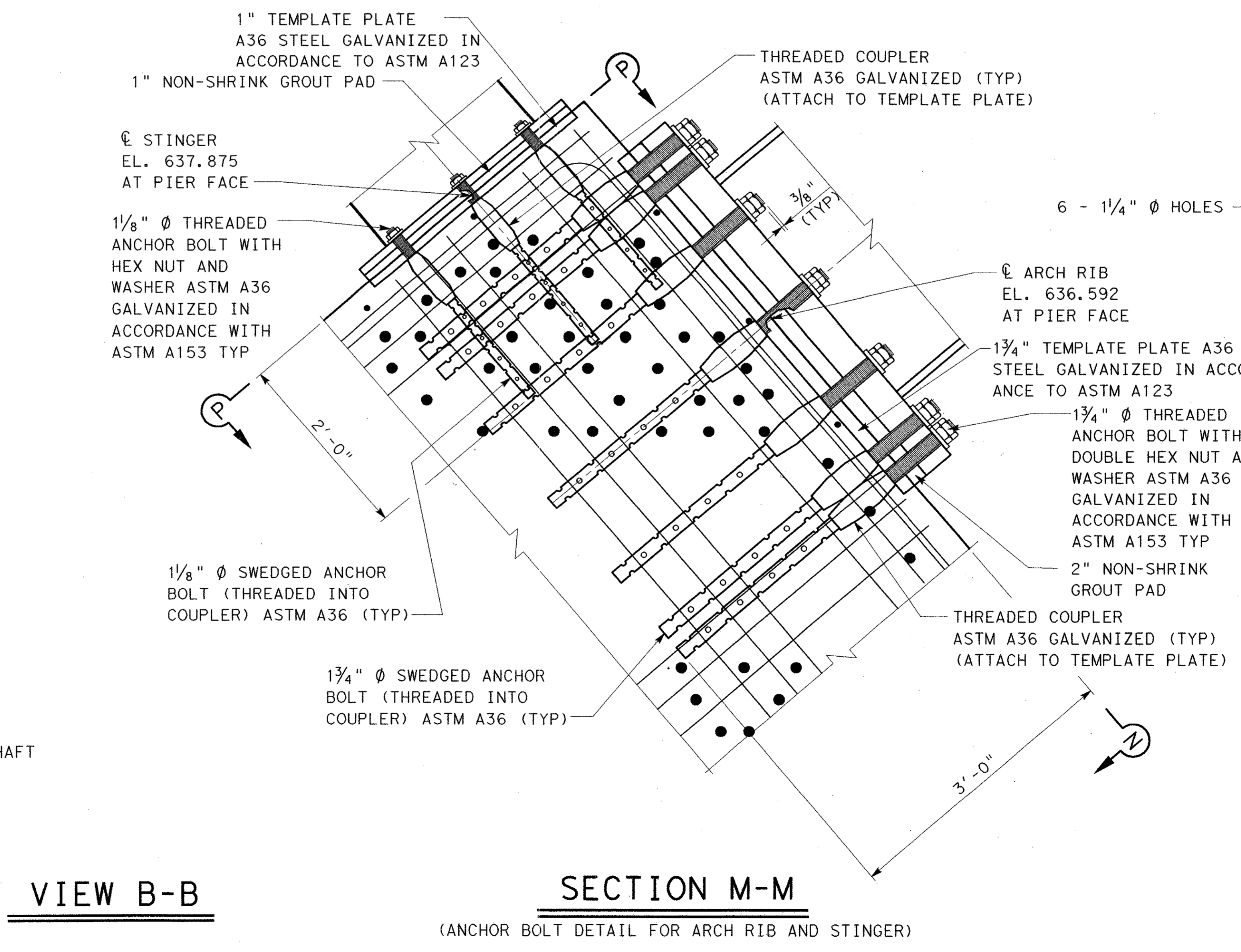


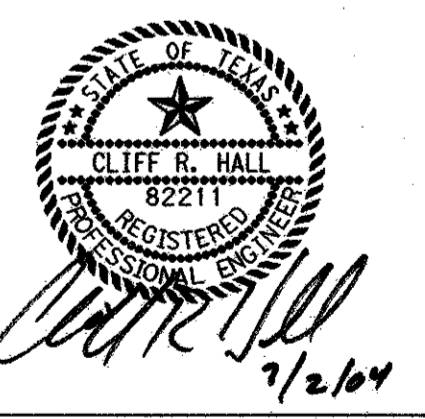
VIEW N-N
(ANCHOR BOLT DETAIL FOR ARCH RIB)



VIEW P-P
(ANCHOR BOLT DETAIL FOR STINGER)



SECTION M-M
(ANCHOR BOLT DETAIL FOR ARCH RIB AND STINGER)



263			
1	06/01/04	ADDENDUM CHANGES	CRH
NO.	DATE	REVISION	APPROV.
URS		GREYSTONE CENTRE 5010 LBJ FREEWAY, SUITE 1300 DALLAS, TX 75254	
ARAPAHO ROAD - PHASE III			
SURVEYOR BOULEVARD TO ADDISON ROAD			
BENTS 9 & 10 DETAILS			
SHEET 3 OF 6			
TOWN OF ADDISON, TEXAS			
Design	Drawn	RJB	DATE
Check	Check	05-07-04	NONE
PROJECT NO.	25768	SHEET NO.	BR-25

3:31:41 PM 7/2/2004

\\urs-sql-dc1\drive\projects\arapaho_road_bridges\cadd\from_tampo\05-24-04\ar3b0403.dgn