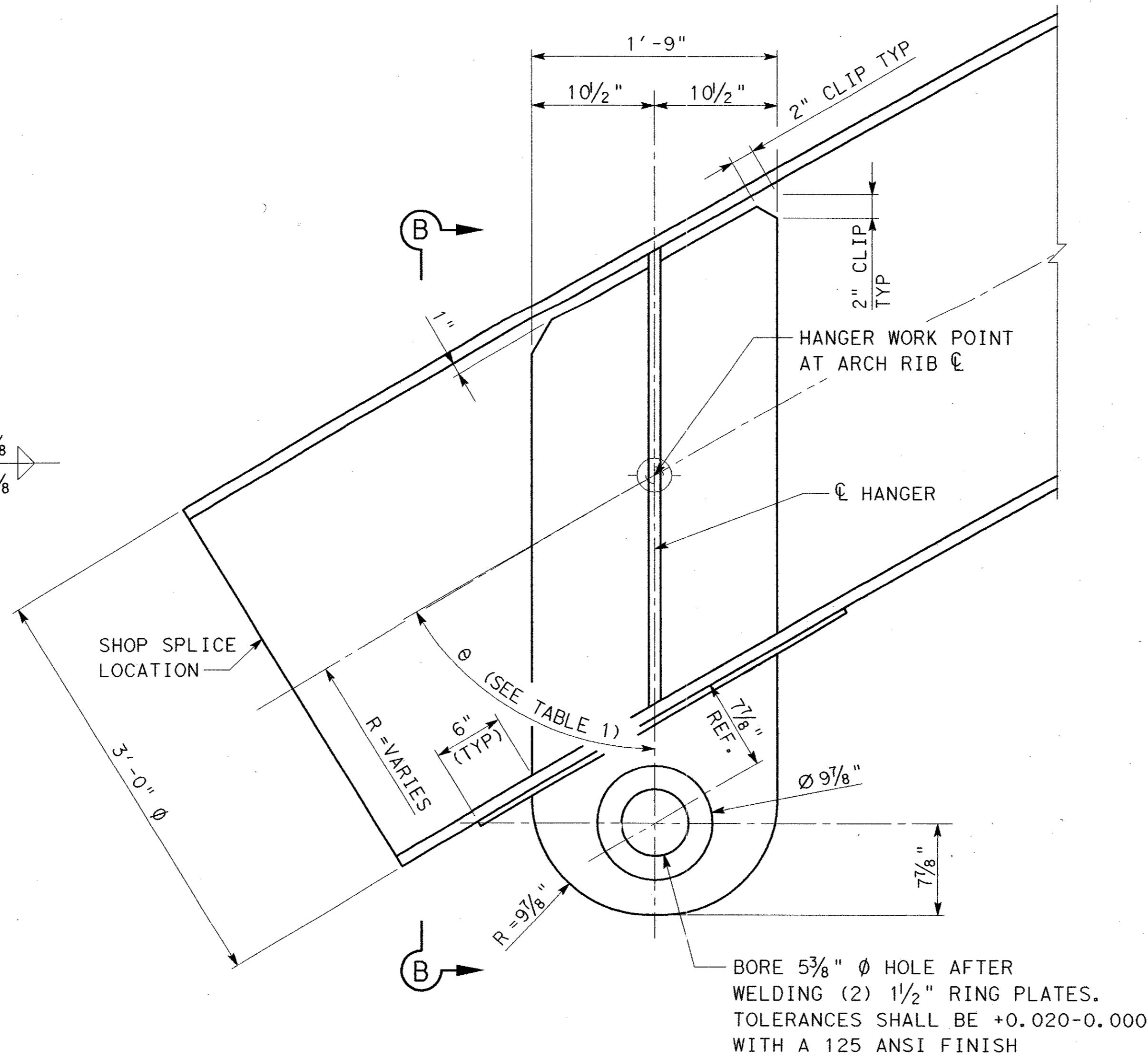
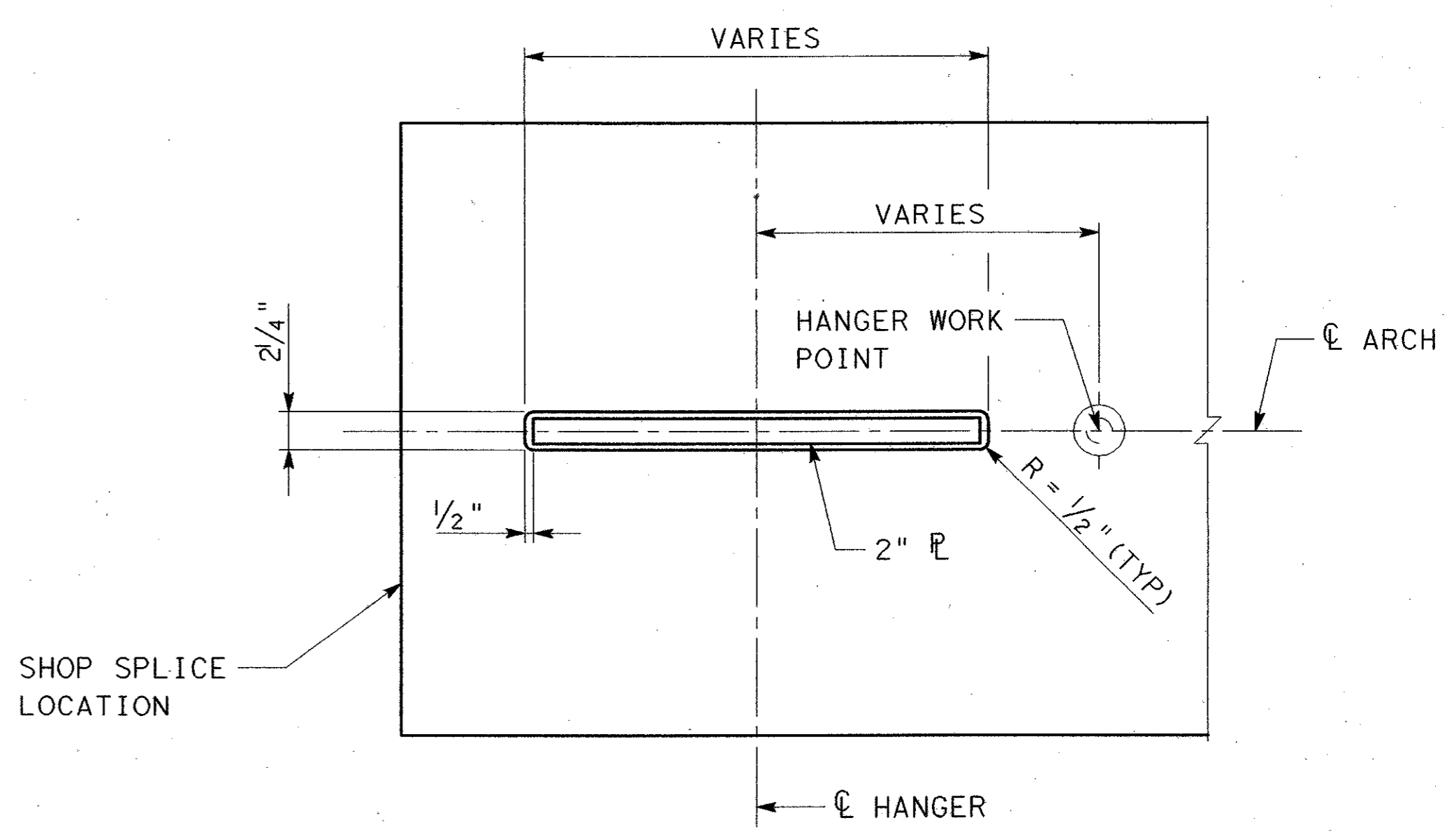


SECTION B-B



ELEVATION



HANGER SLOT CUTTING DETAIL

HANGER DETAIL

TABLE 1	
HANGER	θ (DEG.)
1 & 9	59.89° TC
2 & 8	66.49° TC
3 & 7	73.83° TC
4 & 6	81.75° TC
5	90.00° TC



NO.	DATE	REVISION	APPROV.	278
URS GREYSTONE CENTRE 3010 LBJ FREEWAY, SUITE 1300 DALLAS, TX 75234				
ARAPAHO ROAD - PHASE III SURVEYOR BOULEVARD TO ADDISON ROAD				
ARCH RIB DETAIL UNIT 4				
TOWN OF ADDISON, TEXAS				
Design	Drawn	RJB	DATE	SCALE
Check	Check		05-07-04	NONE
			PROJECT NO.	SHEET NO.
			25768	BR-40