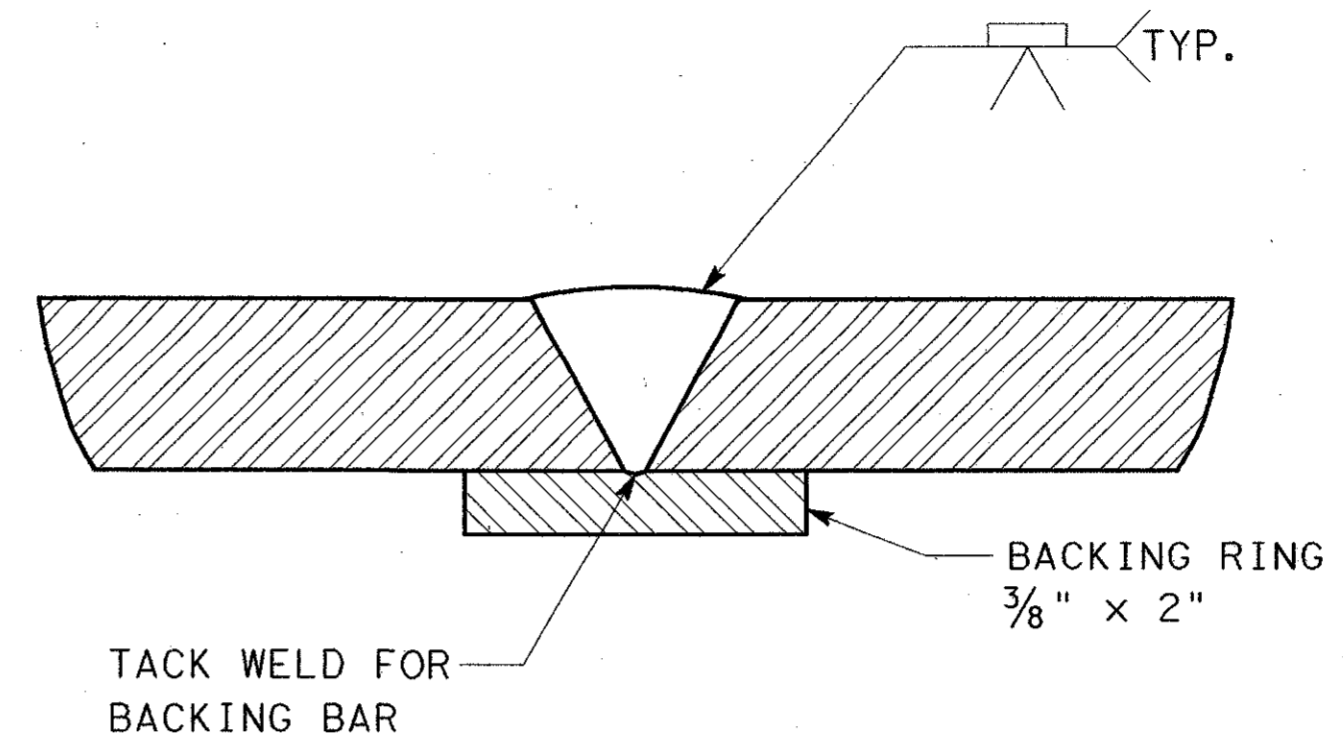


FIELD SPLICE DETAIL



SHOP WELD DETAIL



				279	
NO.	DATE	REVISION	APPROV.		
<b>URS</b> GREYSTONE CENTRE 3910 LBJ FREEWAY, SUITE 1300 DALLAS, TX 75234					
ARAPAHO ROAD - PHASE III					
SURVEYOR BOULEVARD TO ADDISON ROAD					
ARCH RIB DETAIL					
UNIT 4					
SHEET 4 OF 4					
TOWN OF ADDISON, TEXAS					
Design	Drawn	TRUB	DATE	SCALE	PROJECT NO. SHEET NO.
Check	Check		05-07-04	NONE	25768 BR-41