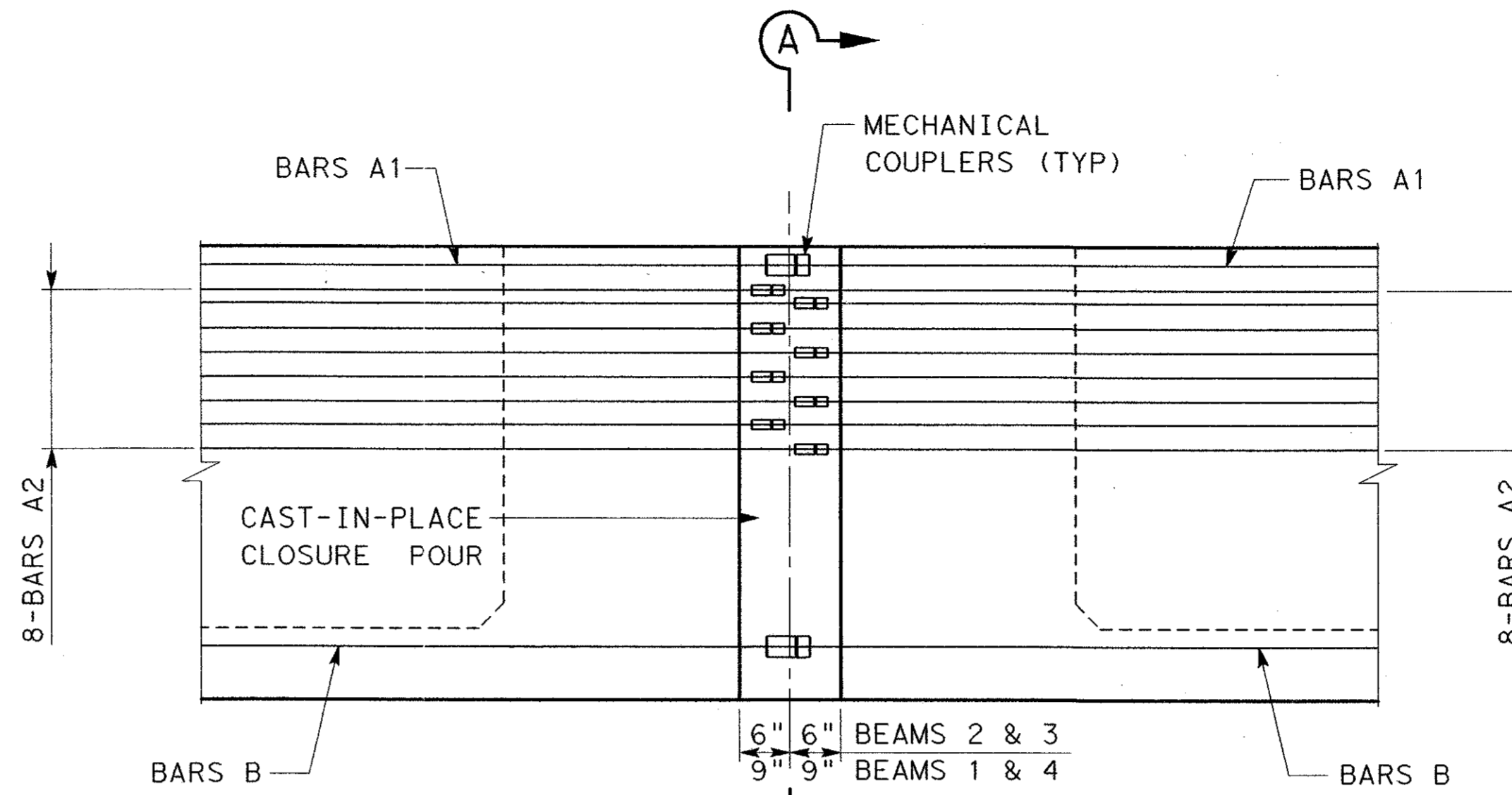


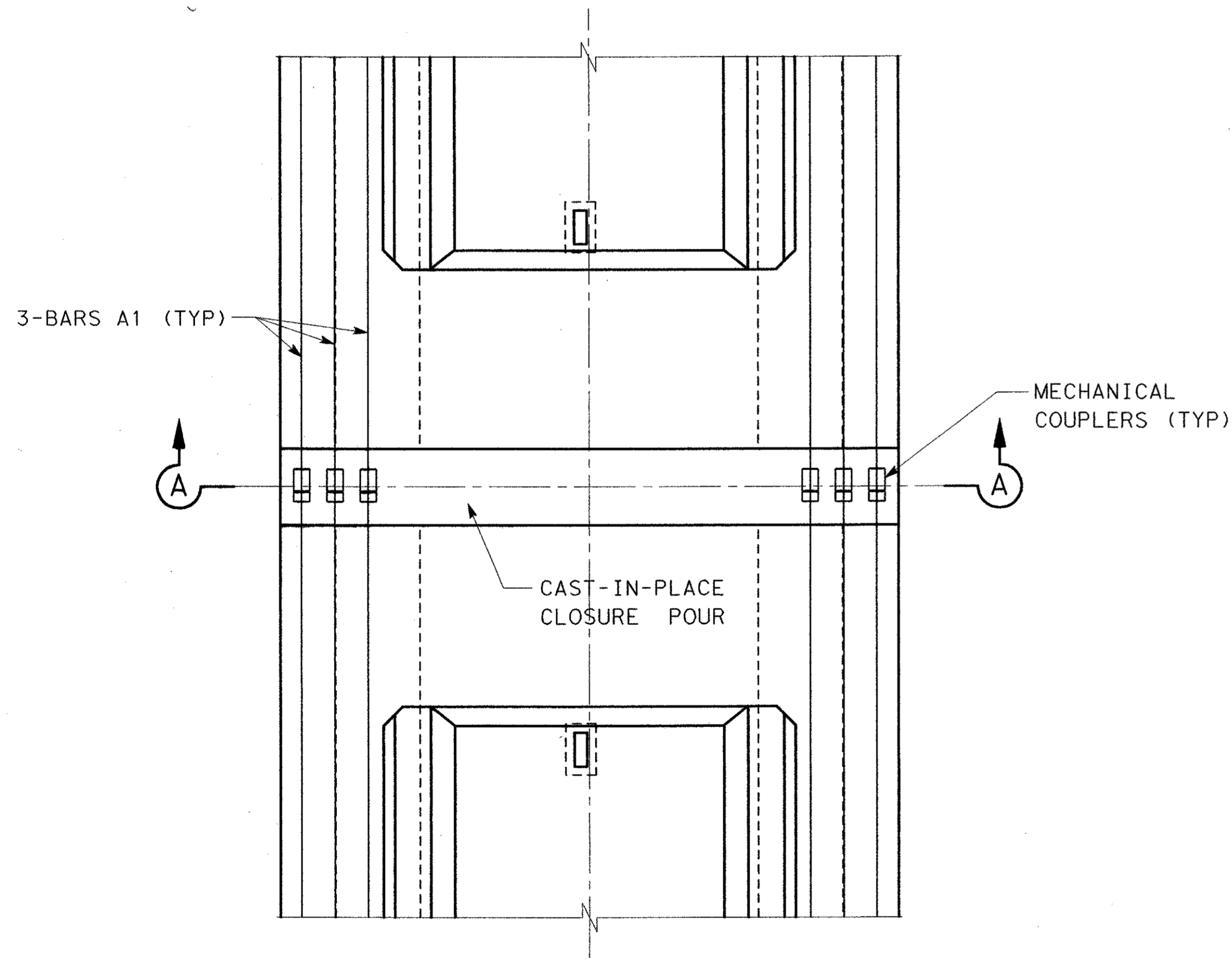
**SECTION A-A**



**ELEVATION**

**NOTES**

1. CLASS "F" CONCRETE STRENGTH  $f'_c=5000$  psi FOR CAST-IN-PLACE CLOSURE POUR.
2. ALL REINFORCING STEEL SHALL BE GRADE 60.
3. WORK THESE DETAILS WITH TXDOT UBA DRAWINGS.
4. ROUGHEN CONCRETE SURFACE OF U-BEAM TO A FULL AMPLITUDE OF APPROXIMATELY  $1/4$ " AT CLOSURE POUR.



**PLAN**

U-BEAM DETAIL TABLE OF ESTIMATED QUANTITIES				
BAR	NO.	SIZE	LENGTH	WEIGHT
A1	6	#11	9'-8"	309
A2	16	#8	9'-8"	413
B	16	#9	5'-0"	272
REINFORCING STEEL			Lb	994

**U54 MID SPAN MOMENT CONNECTION**



NO.		DATE	REVISION	APPROV.
281				
<b>URS</b>				
GREYSTONE CENTRE 5010 LBJ FREETWAY, SUITE 1300 DALLAS, TX 75254				
<b>ARAPAHO ROAD - PHASE III</b>				
SURVEYOR BOULEVARD TO ADDISON ROAD				
U-BEAM DETAILS UNIT 4				
SHEET 1 OF 2				
TOWN OF ADDISON, TEXAS				
Design	Drawn	RJB	DATE	SCALE
Check	Check		05-07-04	NONE
			PROJECT NO.	SHEET NO.
			25768	BR-43

12:59:32 PM 6/29/2004

\\urs-sda1\cct\getal\projects\arapaho\_road\bridge\cadd\from\_temp\5-24-04\ar3pc0401.dgn