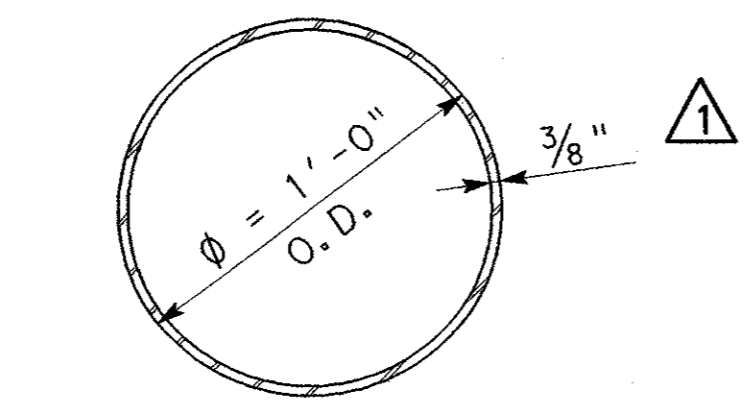
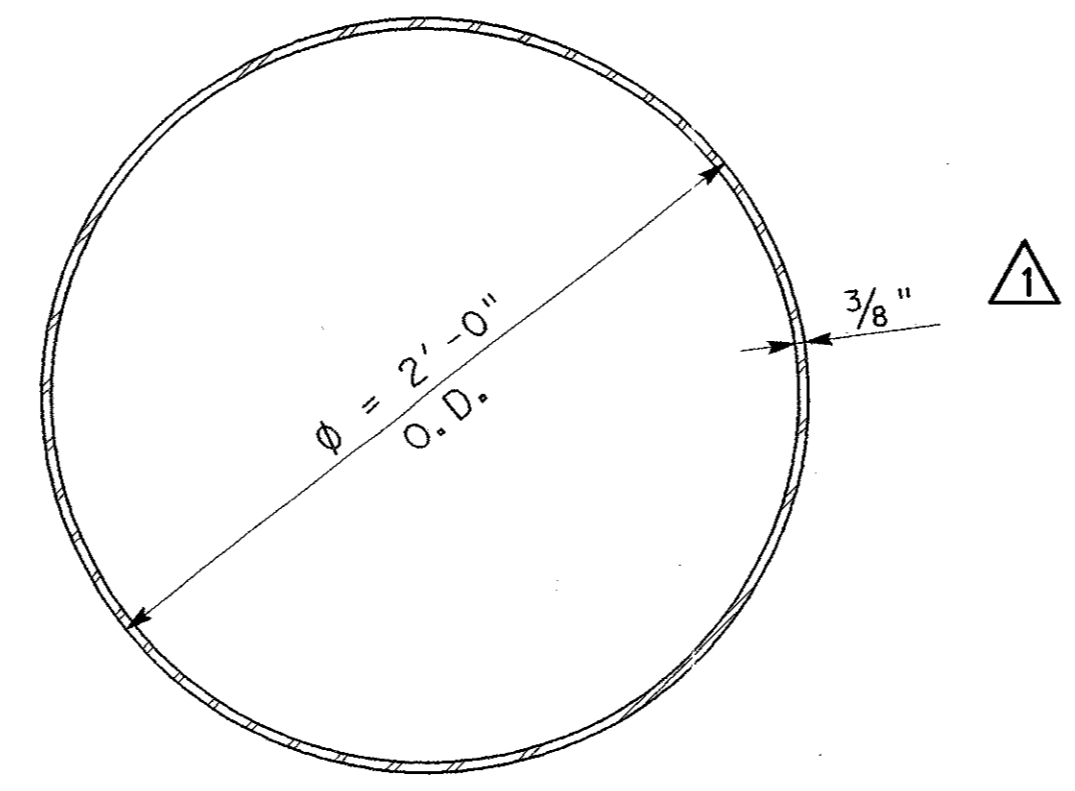


ELEV = 669.681

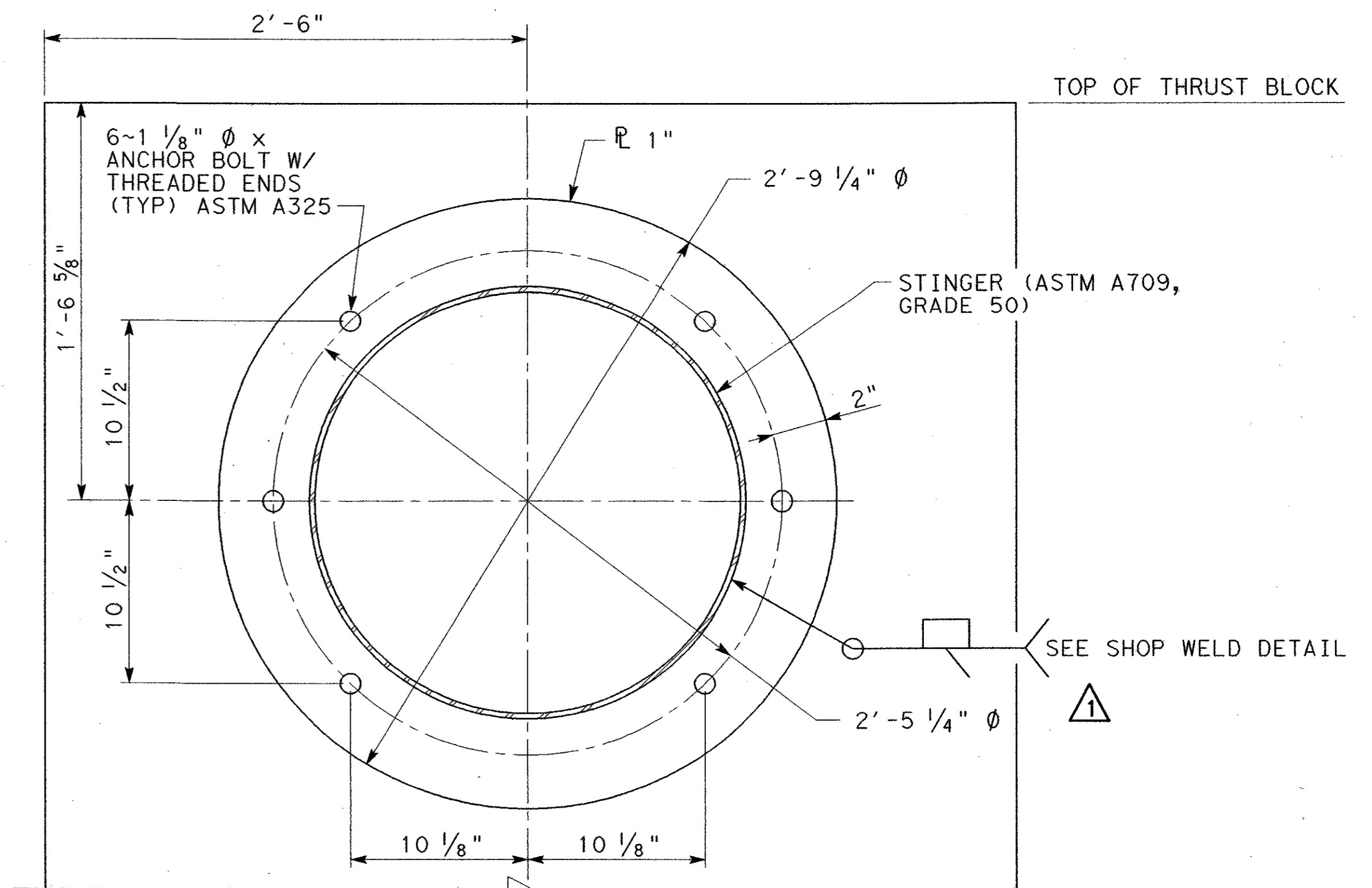
SEE COVER PLATE  
DETAIL THIS SHEET



**SECTION A-A**  
(AT TOP OF STINGER)

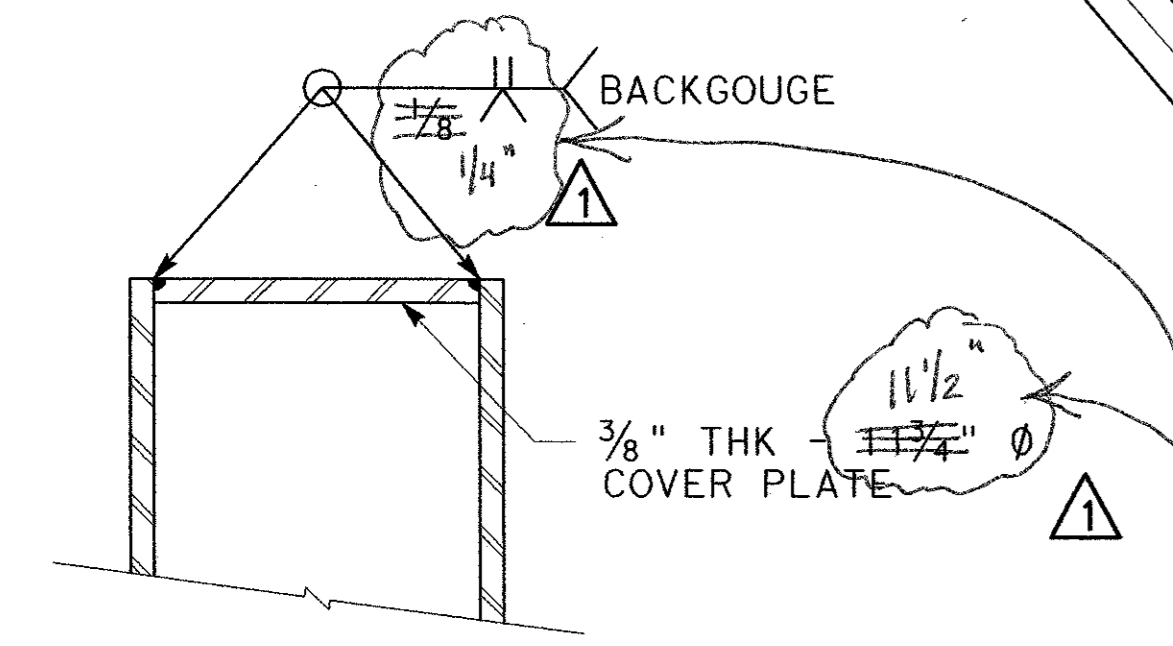


**SECTION B-B**  
(AT BASE OF STINGER)

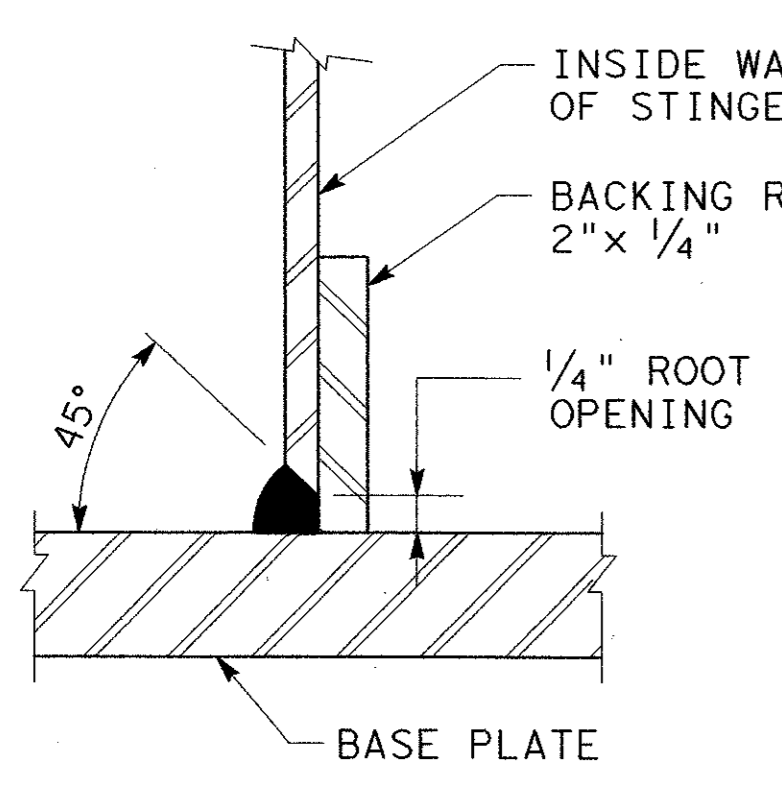


**PLAN**

**COVER PLATE DETAIL**

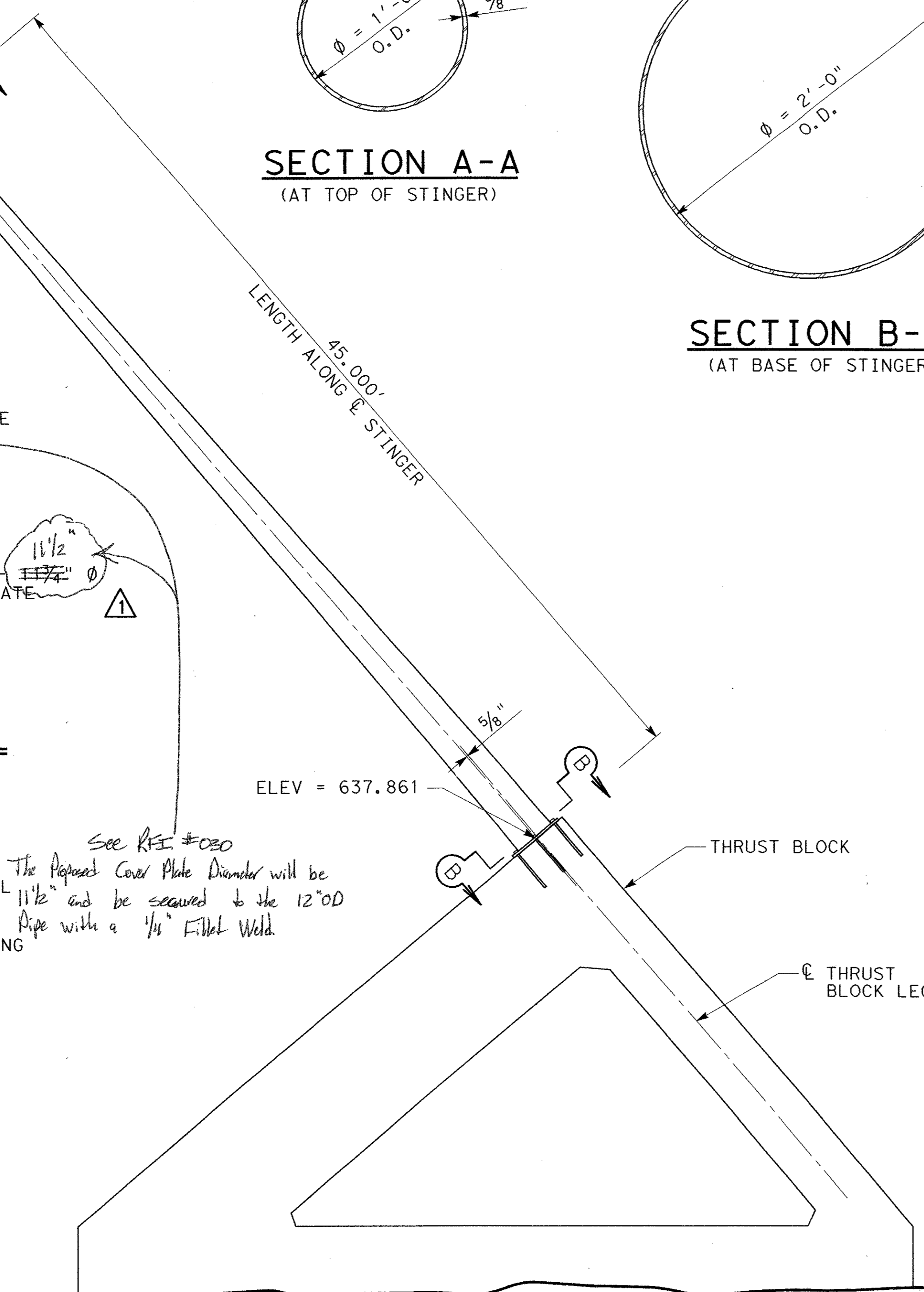


**SHOP WELD DETAIL**

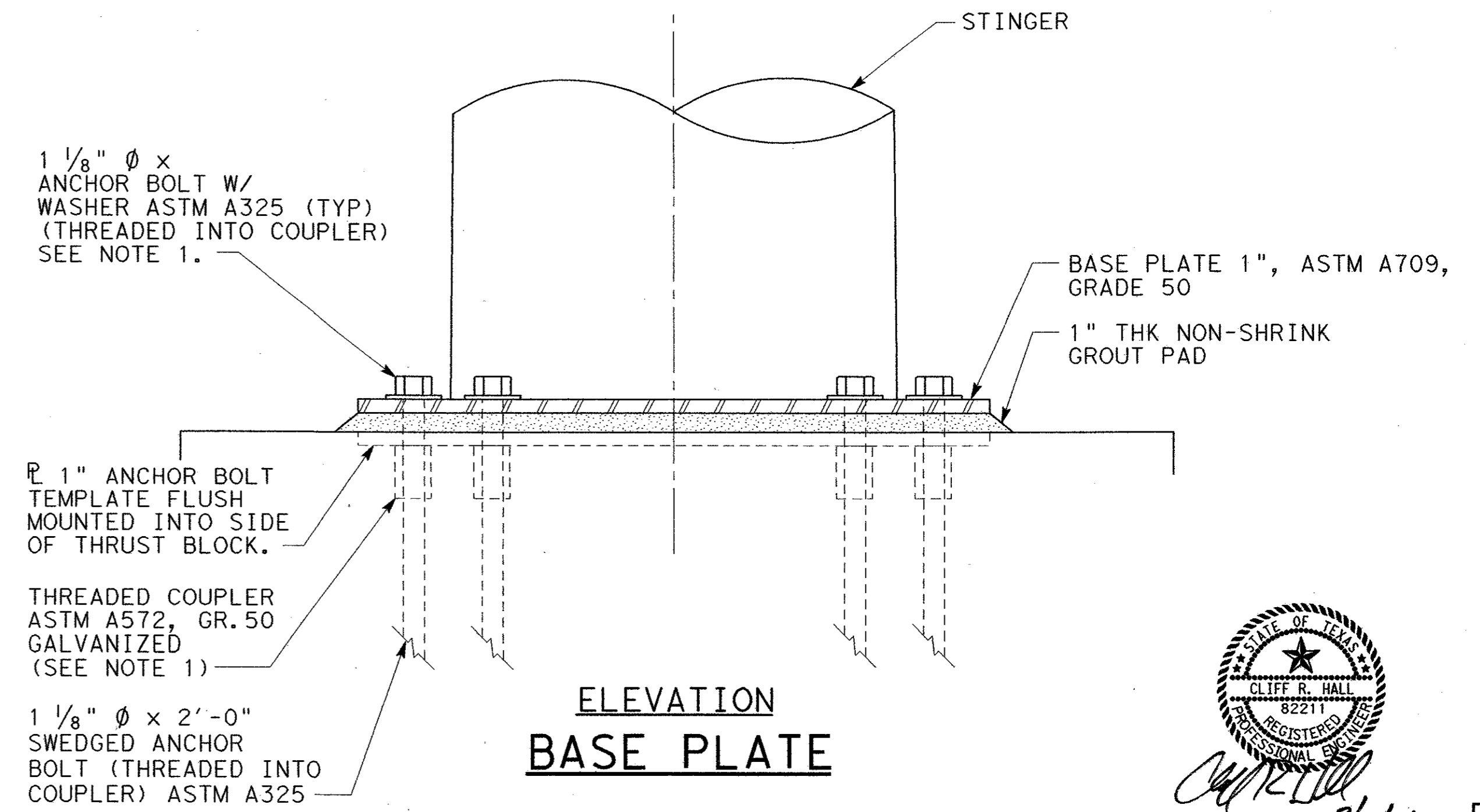


See RFI #020  
The Proposed Cover Plate Diameter will be 1 1/2" and be secured to the 12" OD Pipe with a 1/4" Fillet Weld.

ELEV = 637.861



**ELEVATION**



**ELEVATION  
BASE PLATE**

**NOTES:**

- SEE BENTS 9 AND 10 DETAILS (SECTION M-M) FOR SWEDGED ANCHOR BOLT AND COUPLER PLACEMENT.
- STINGER, ANCHOR PLATES AND COVER PLATE, USE ASTM A709, GRADE 50.
- PAINT SYSTEM FOR STEEL STINGER SHALL BE PROTECTION SYSTEM II. FOR LIMITS, SEE PAINT DETAIL AND SURFACE FINISHES FOR STRUCTURES STANDARD DRAWING. FOR COLOR, SEE THE SPECIFICATION. THE PAINT SYSTEM SHALL CONFORM TO TXDOT STANDARD SPECIFICATION ITEM 446. THE INSIDE OF THE STINGER SHALL RECEIVE PAINT AS PER SPECIFICATION ITEM 441.9. THIS WORK SHALL BE PERFORMED IN THE SHOP.
- ALL ASTM A709 STRUCTURAL STEEL SHALL RECEIVE CHАРY V-NOTCH TESTING FOR TEMPERATURE ZONE I IN ACCORDANCE WITH ASTM A709.



2/2/04

NO.	DATE	REVISION	APPROV.
1	05/24/04	ADDENDUM CHANGES	CRH
<b>URS</b> GREYSTONE CENTRE 3010 LBJ FREEWAY, SUITE 1300 DALLAS, TX 75234			
<b>ARAPAHO ROAD - PHASE III</b>			
SURVEYOR BOULEVARD TO ADDISON ROAD			
STINGER DETAILS			
TOWN OF ADDISON, TEXAS			
Design	Drawn	DATE	SCALE
Check	Check	05-07-04	25768
PROJECT NO.	SHEET NO.		
25768	BR-46		