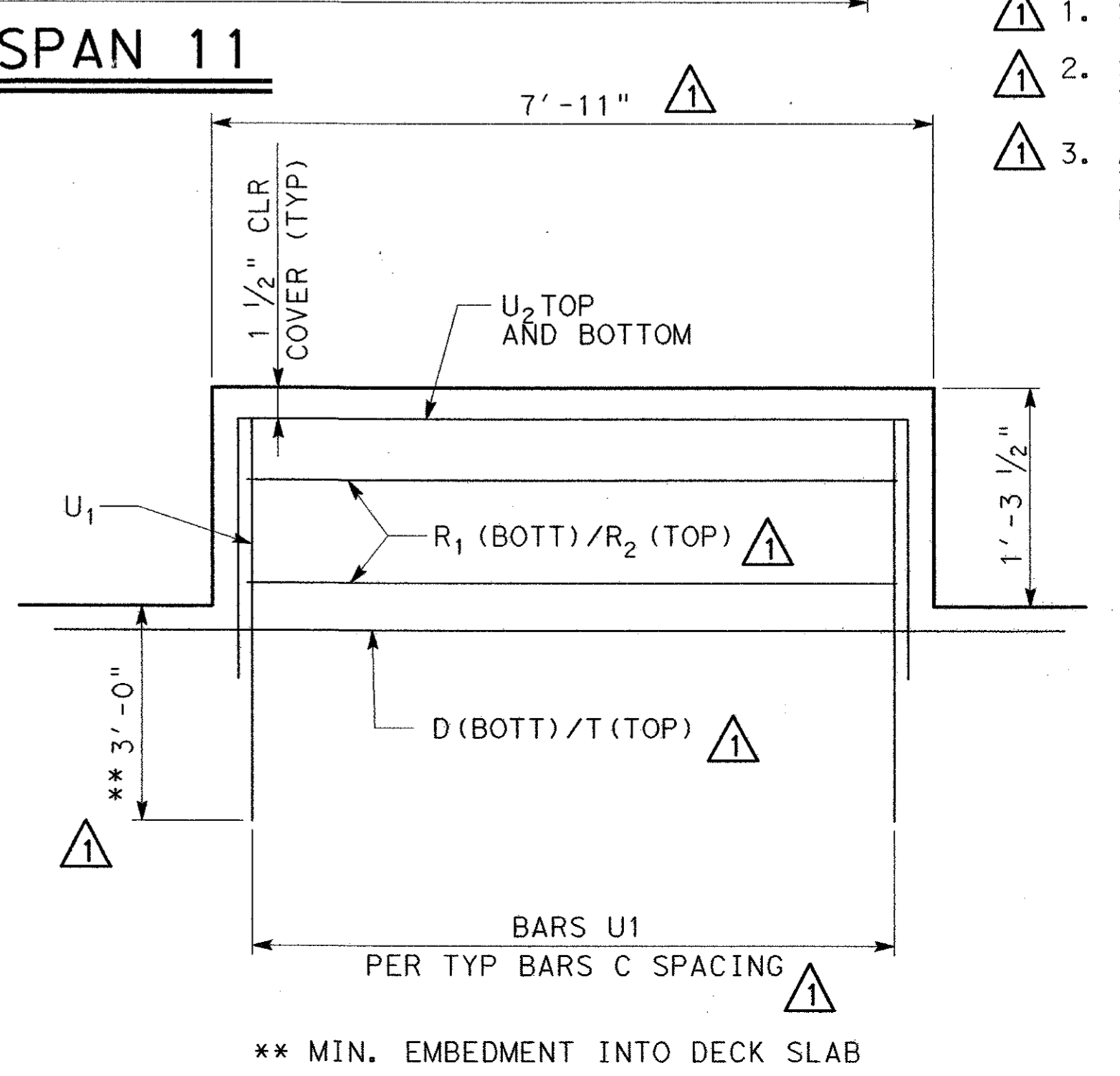
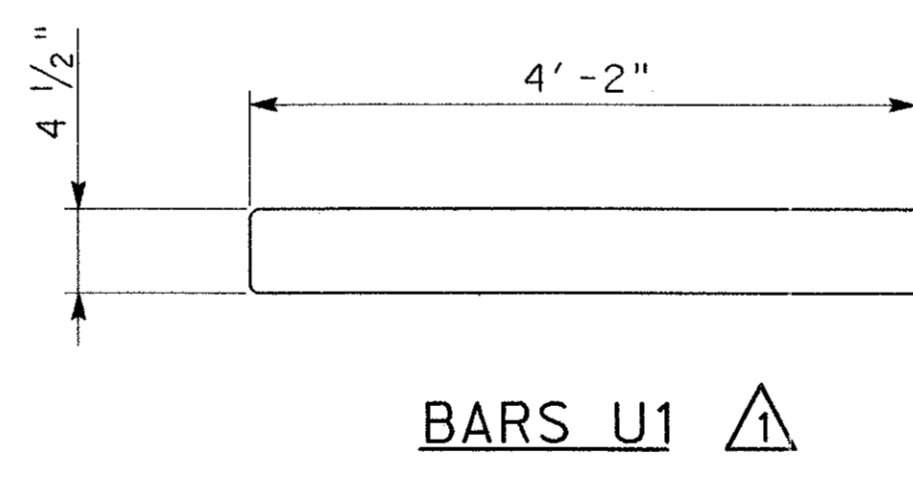
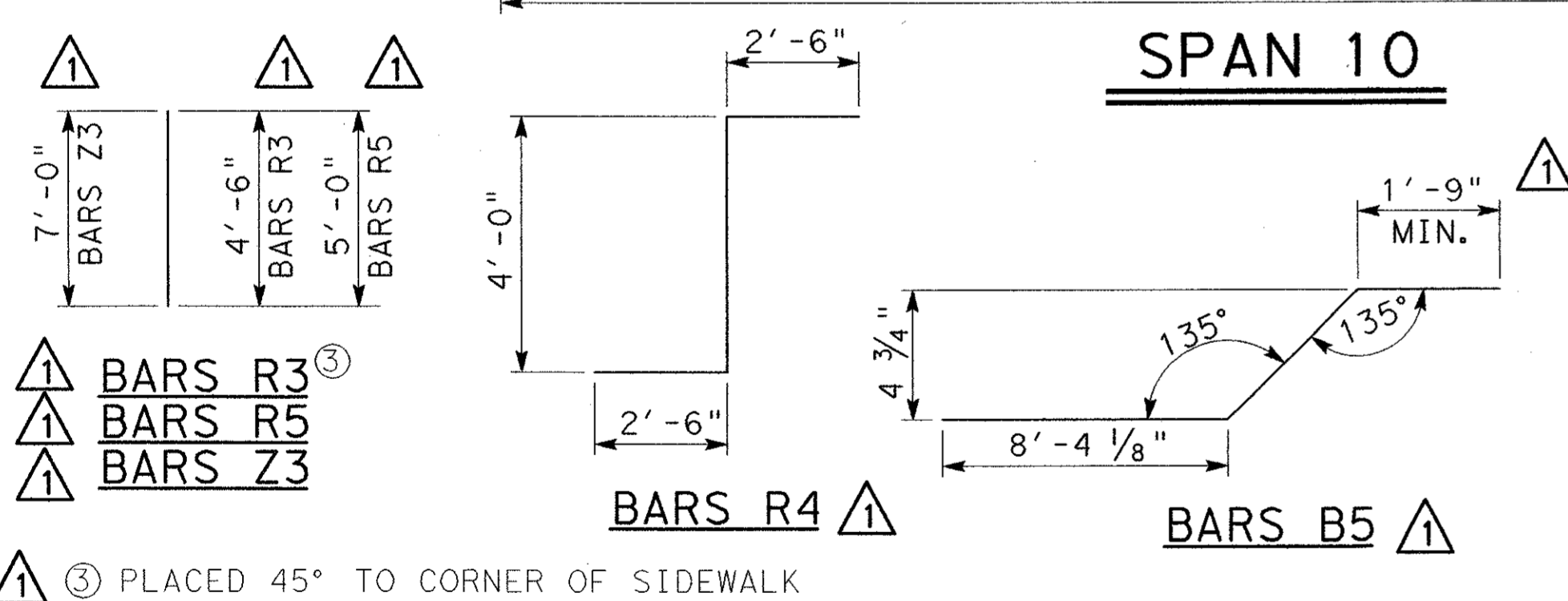


BAR TABLE	
BARS	SIZE
B5	#5
C	#5
D	#5
R1	#5
R2	#4
R3	#5
R4	#5
R5	#5
T	#4
U1	#5
U2	#5
Z	#4
Z3	#4

- GENERAL NOTES:**
1. SEE UNIT 1 SLAB PLANS GENERAL NOTES.
  2. SEE SLAB DETAILS SHEET 2 OF 4 FOR SECTION B-B
  3. ADJUST AND/OR FIELD CUT BARS C, T, Z & D TO BE CLEAR OF DECK OPENING FOR STINGER.



SPAN NO.	REINF CONC SLAB	① PRESTRESSED CONC BEAMS TYPE U54		CLASS "S" CONC	② TOTAL REINF STEEL	
		LF	CY		LB	LB
10	SF	390.84	132.5		34,873	
11	SF	439.62	148.0		38,961	
TOTAL		830.46	280.5		73,834	

- ① BEAM LENGTHS SHOWN ARE BOTTOM BEAM FLANGE LENGTHS WITH ADJUSTMENTS MADE FOR BEAM SLOPE.
- ② REINFORCING STEEL WEIGHT IS CALCULATED USING AN APPROXIMATE FACTOR OF 6.5 LBS/SF.
- \* FOR CONTRACTORS INFO ONLY

\*\*\* STINGER OPENING DIMENSIONS

1 05/24/04 ADDENDUM CHANGES		CRH
NO.	DATE	REVISION
<b>URS</b>		
GREYSTONE CENTRE 5010 LBJ FREEWAY, SUITE 1300 DALLAS, TX 75234		
<b>ARAPAHO ROAD - PHASE III</b>		
SURVEYOR BOULEVARD TO ADDISON ROAD		
SLAB PLAN UNIT 5		
TOWN OF ADDISON, TEXAS		
Design	Drawn	DATE
Check	Check	05-07-04
PROJECT NO.	25768	SHEET NO.
		BR-51

7/2/2004 10:33:02 AM