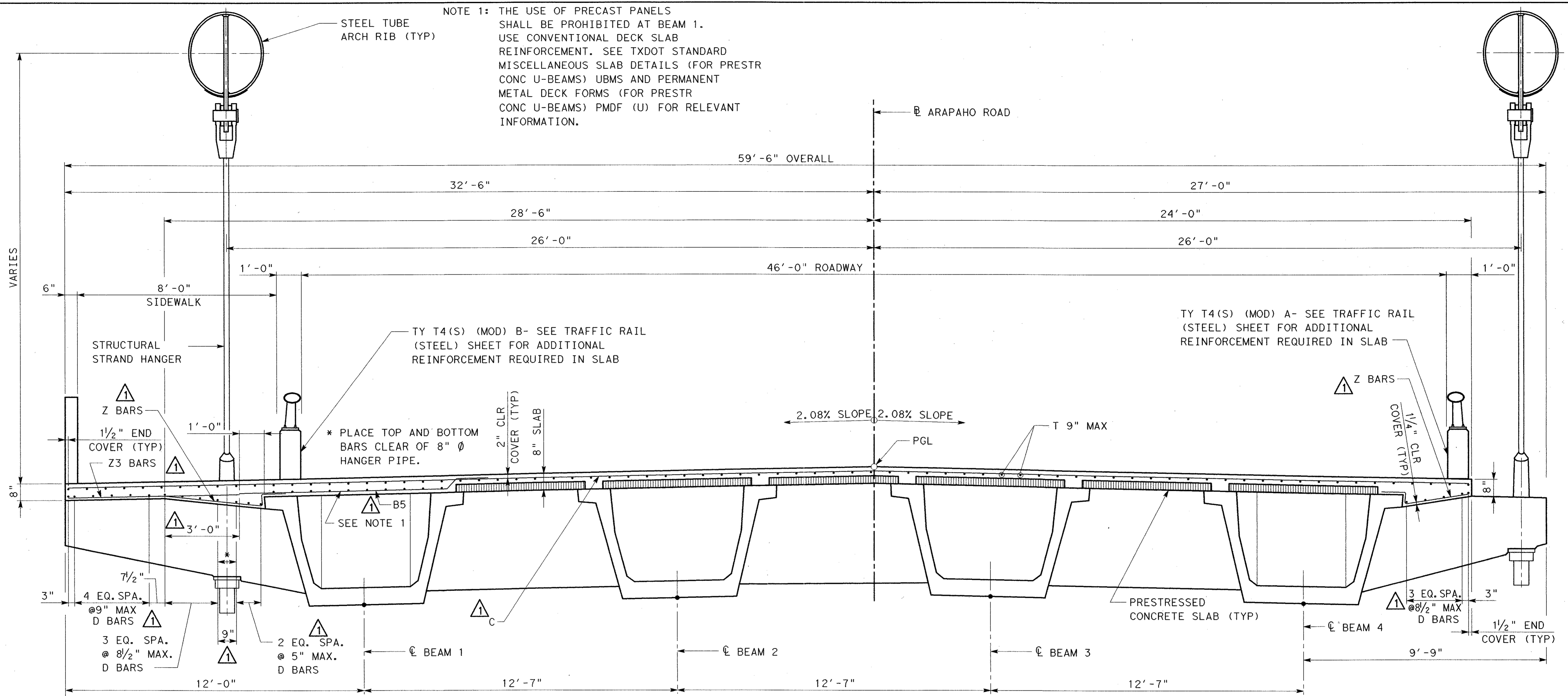
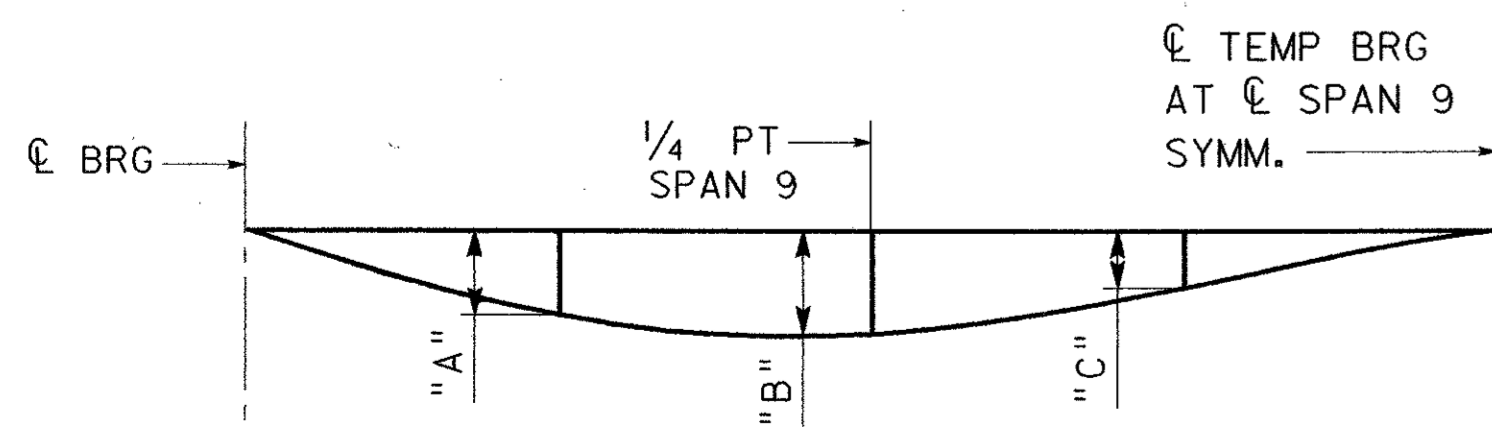


NOTE 1: THE USE OF PRECAST PANELS SHALL BE PROHIBITED AT BEAM 1. USE CONVENTIONAL DECK SLAB REINFORCEMENT. SEE TXDOT STANDARD MISCELLANEOUS SLAB DETAILS (FOR PRESTR CONC U-BEAMS) UBMS AND PERMANENT METAL DECK FORMS (FOR PRESTR CONC U-BEAMS) PMDF (U) FOR RELEVANT INFORMATION.



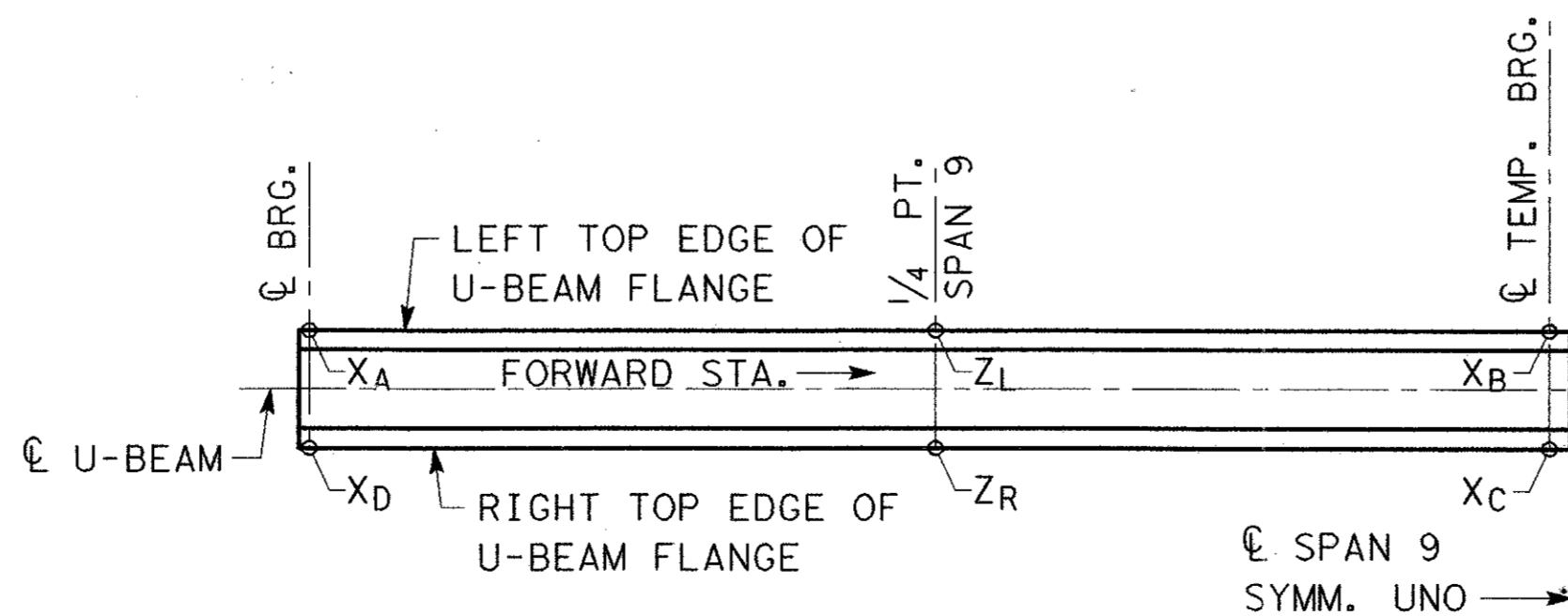
SECTION C-C

SPAN NO.	BEAM NO.	"A" (FT)	"B" (FT)	"C" (FT)
9A	ALL	-0.009	-0.007	-0.001
9B	ALL	-0.009	-0.007	-0.001



DEAD LOAD DEFLECTION DIAGRAM

NOTE: DEFLECTIONS SHOWN ARE CALCULATED VALUES DUE TO CONCRETE SLAB AND HANGER INSTALLATION ONLY. FIELD DEFLECTIONS MAY BE LESS THAN CALCULATED VALUES SHOWN. CALCULATIONS ARE BASED ON E_c OF 5,200 KSI.



PLAN SHOWING LOCATION OF SECTION DEPTHS

SPAN NO.	BEAM NO.	"X _A " @ C/ BRNG. (IN.)	"X _D " @ C/ BRNG. (IN.)	"X _B " @ C/ BRNG. (IN.)	"X _C " @ C/ BRNG. (IN.)	"Z _L " @ 1/4 PT. SPAN (IN.)	"Z _R " @ 1/4 PT. SPAN (IN.)
9	1A	10	10	9	9	10 ⁵ / ₈	10 ⁵ / ₈
9	2A	10	10	9	9	10 ⁵ / ₈	10 ⁵ / ₈
9	3A	10	10	9	9	10 ⁵ / ₈	10 ⁵ / ₈
9	4A	10	10	9	9	10 ⁵ / ₈	10 ⁵ / ₈
9	1B	10	10	9	9	10 ⁵ / ₈	10 ⁵ / ₈
9	2B	10	10	9	9	10 ⁵ / ₈	10 ⁵ / ₈
9	3B	10	10	9	9	10 ⁵ / ₈	10 ⁵ / ₈
9	4B	10	10	9	9	10 ⁵ / ₈	10 ⁵ / ₈



294

1	05/24/04	ADDENDUM CHANGES	CRH
NO.	DATE	REVISION	APPROV.

URS GREYSTONE CENTRE
3010 LBJ FREEWAY, SUITE 1300
DALLAS, TX 75234

ARAPAHO ROAD - PHASE III
SURVEYOR BOULEVARD TO ADDISON ROAD

SLAB DETAILS

TOWN OF ADDISON, TEXAS

SHEET 3 OF 4

Design	Drawn	RJB	DATE	SCALE	PROJECT NO.	SHEET NO.
Check	Check		05-07-04	NONE	25768	BR-56