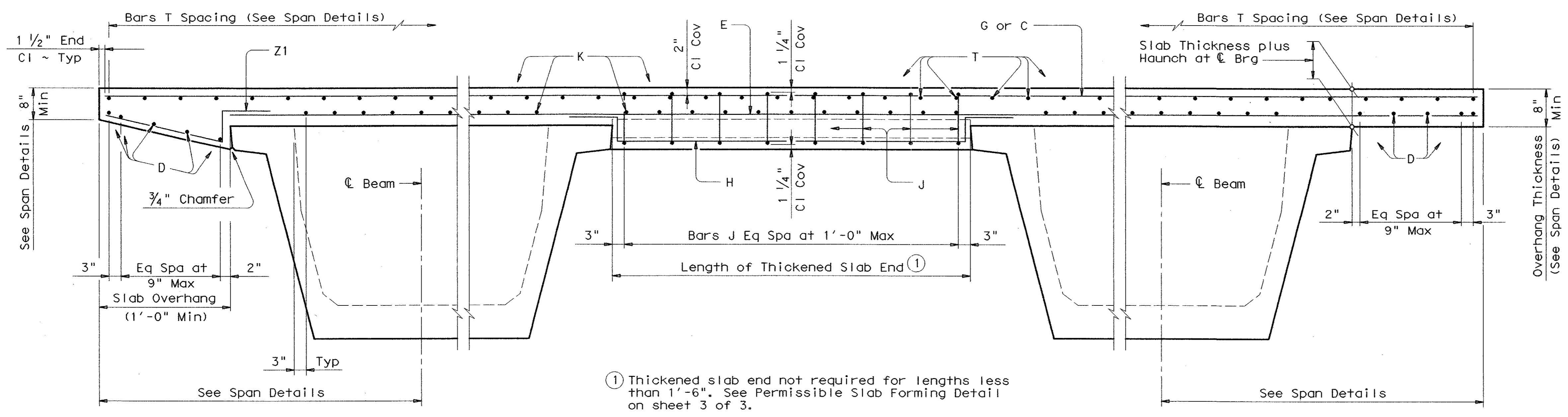


DISCLAIMER: The use of this standard is governed by the "Texas Engineering Practice Act". No warranty of any kind is made by TxDOT for any purpose whatsoever. TxDOT assumes no responsibility for the conversion of this standard to other formats or for incorrect results or damages resulting from its use.

ACC: 1.2
LEVELS DISPLAYED: 1, 2, 3, 4, 5, 6, 7, 8, 9, 10, 11, 12, 13, 14, 15, 16, 17, 18, 19, 20, 21, 22, 23, 24, 25, 26, 27, 28, 29, 30, 31, 32, 33, 34, 35, 36, 37, 38, 39, 40, 41, 42, 43, 44, 45, 46, 47, 48, 49, 50, 51, 52, 53, 54, 55, 56, 57, 58, 59, 60, 61, 62, 63, 64, 65, 66, 67, 68, 69, 70, 71, 72, 73, 74, 75, 76, 77, 78, 79, 80, 81, 82, 83, 84, 85, 86, 87, 88, 89, 90, 91, 92, 93, 94, 95, 96, 97, 98, 99, 100



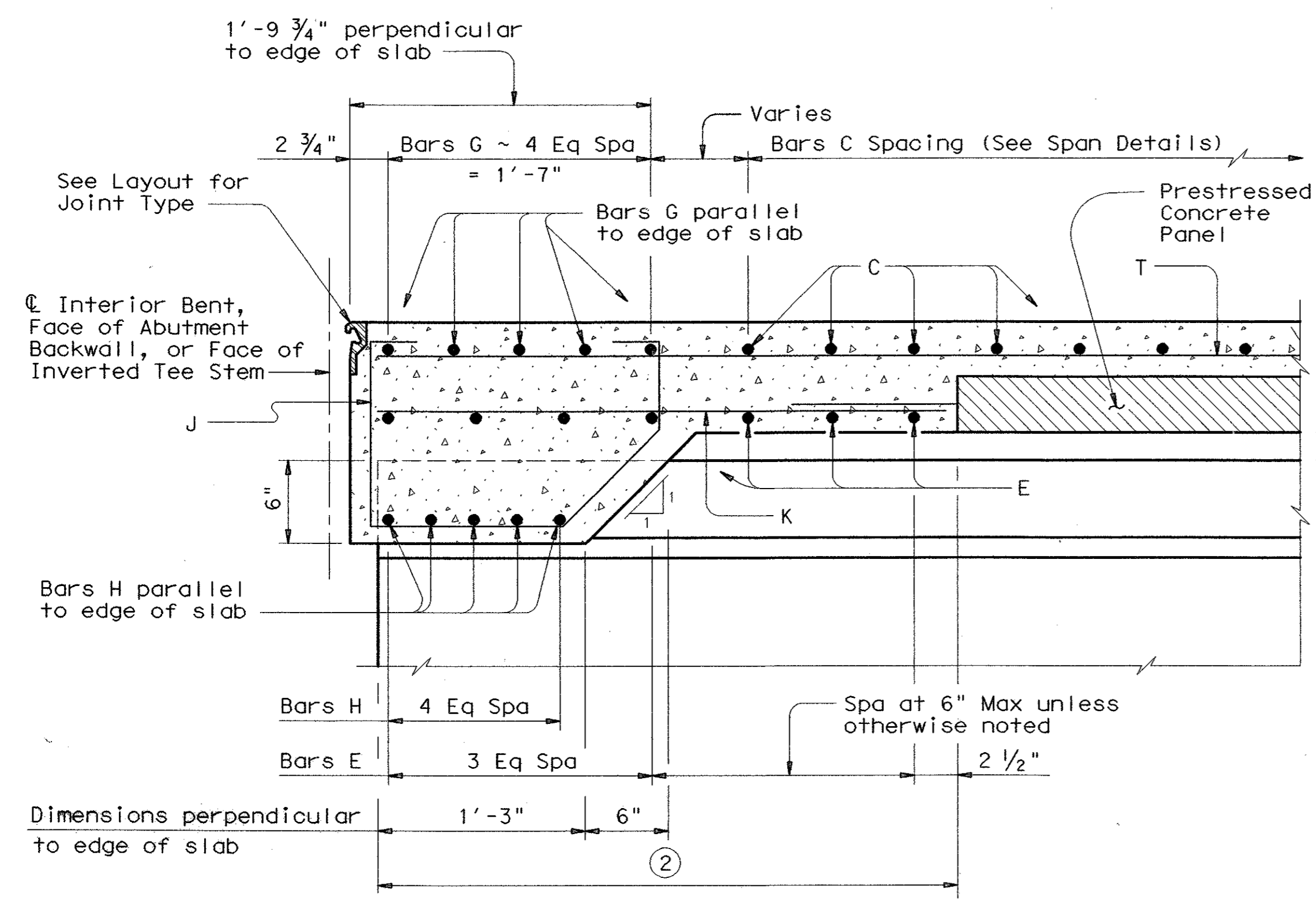
BAR	SIZE	MAX SPA (in)
A	#5	~
C	#5	6
D	#5	9
G	#5	~
H	#6	~
J	#5	12
T	#4	9

Max Spa as listed unless otherwise shown in plans.
See PCP(U) sheets for details of bottom slab reinforcing bars E, K, M, P and Z not shown.

SHOWING SLOPED OVERHANG

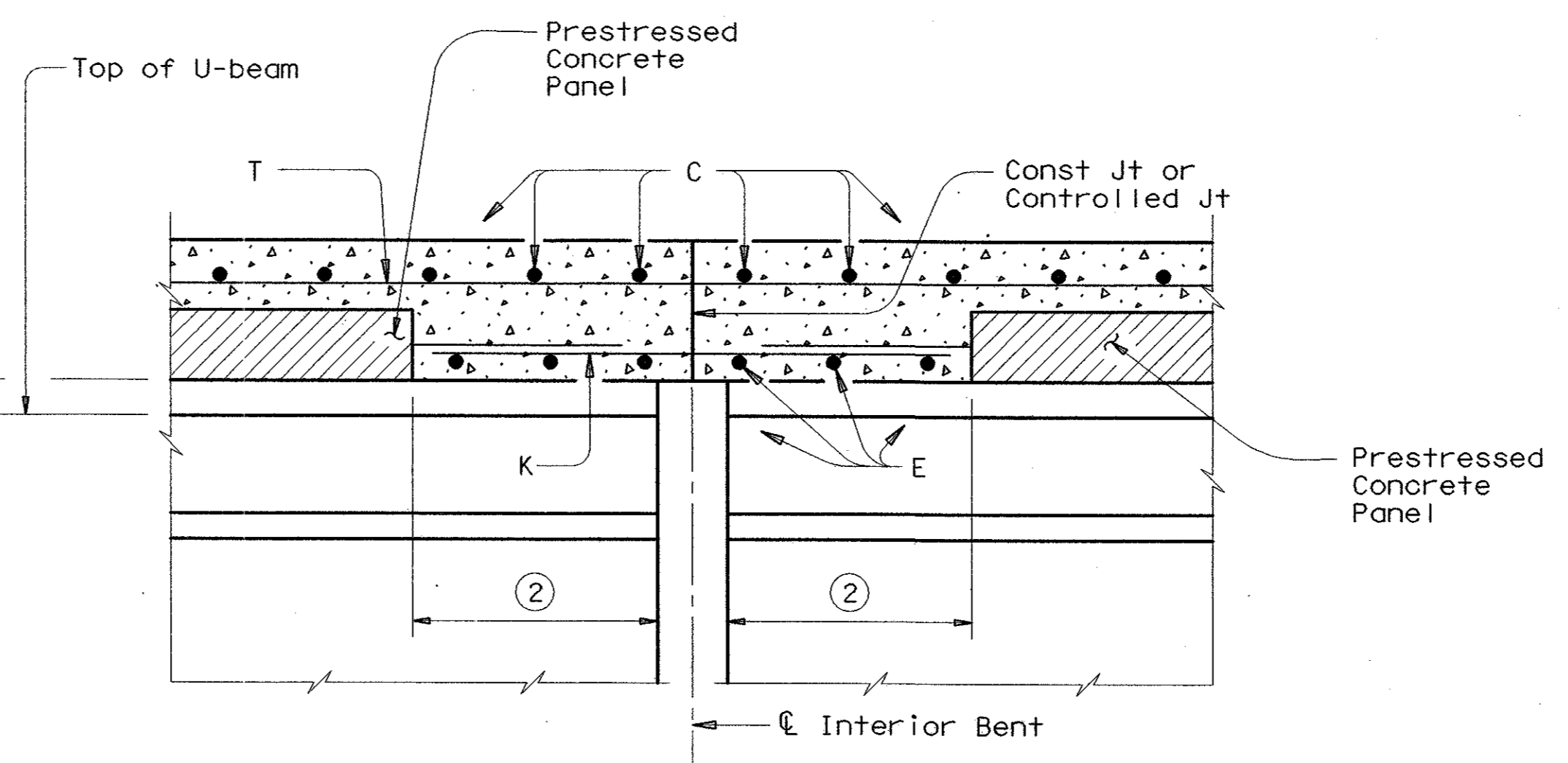
SHOWING NORMAL OVERHANG

TYPICAL TRANSVERSE SECTION AT THICKENED SLAB END



LONGITUDINAL SECTION THRU THICKENED SLAB END

② See PCP(U) sheets for panel placement



LONGITUDINAL SECTION THRU CONTINUOUS SLAB AT CONVENTIONAL BENT

GENERAL NOTES:

All construction materials and debris shall be removed from interior of U-beams, and all drain holes cleared, prior to placement of slab forming over U-beams.
All slab forming and required beam bracing shall be placed prior to installation of overhang formwork.
U-Beams shall be supported in the solid end block region during handling, storage, hauling, and erection.

HS20 LOADING SHEET 1 OF 3 314

Texas Department of Transportation Design Division (Bridge)

MISCELLANEOUS SLAB DETAILS (FOR PRESTR CONC U-BEAMS)

UBMS

FILE: ubstd003.dgn	DN: TxDOT	CK: TGA	DW: BWH	CR: TGA	STD: B541
© TxDOT March 1998		DIST	FED REG	FEDERAL AID PROJECT	SHEET
REVISIONS		6			BS-6
COUNTY	CONTROL	SECT	JOB	HIGHWAY	