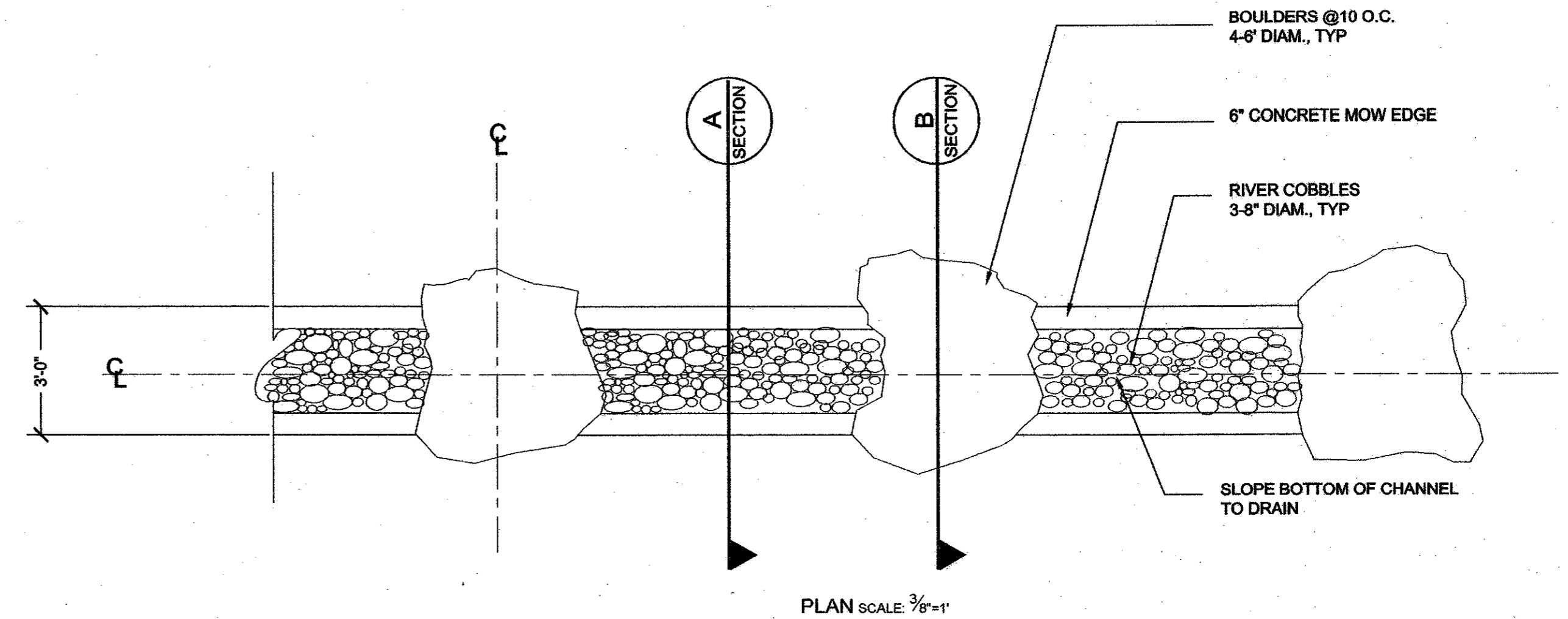
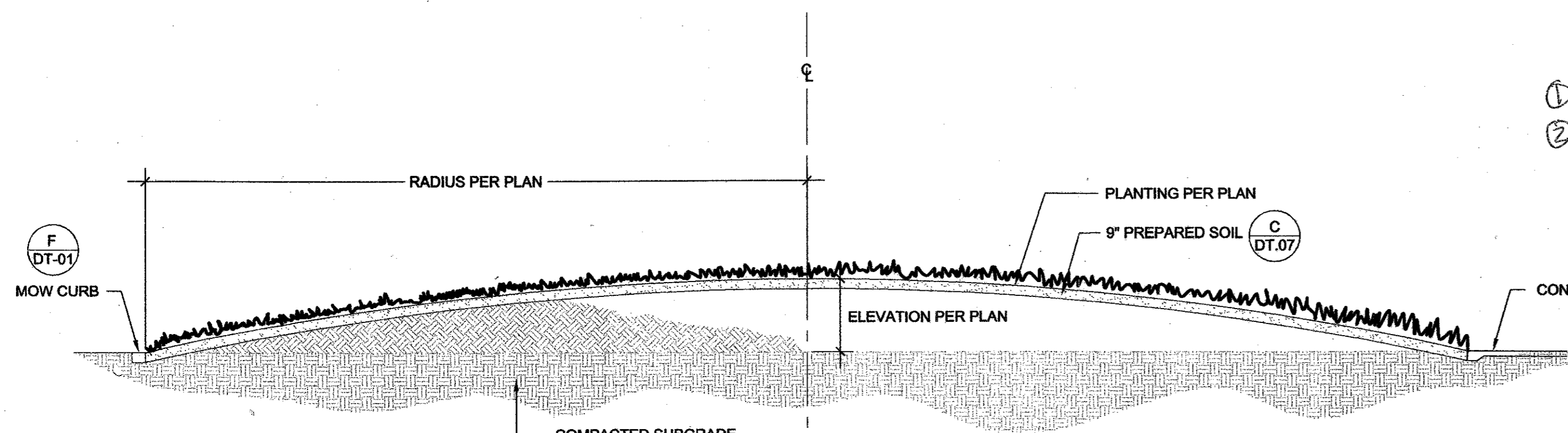


A RIVER COBBLES - SECTION
DT-04

SCALE: 3/4\"/>



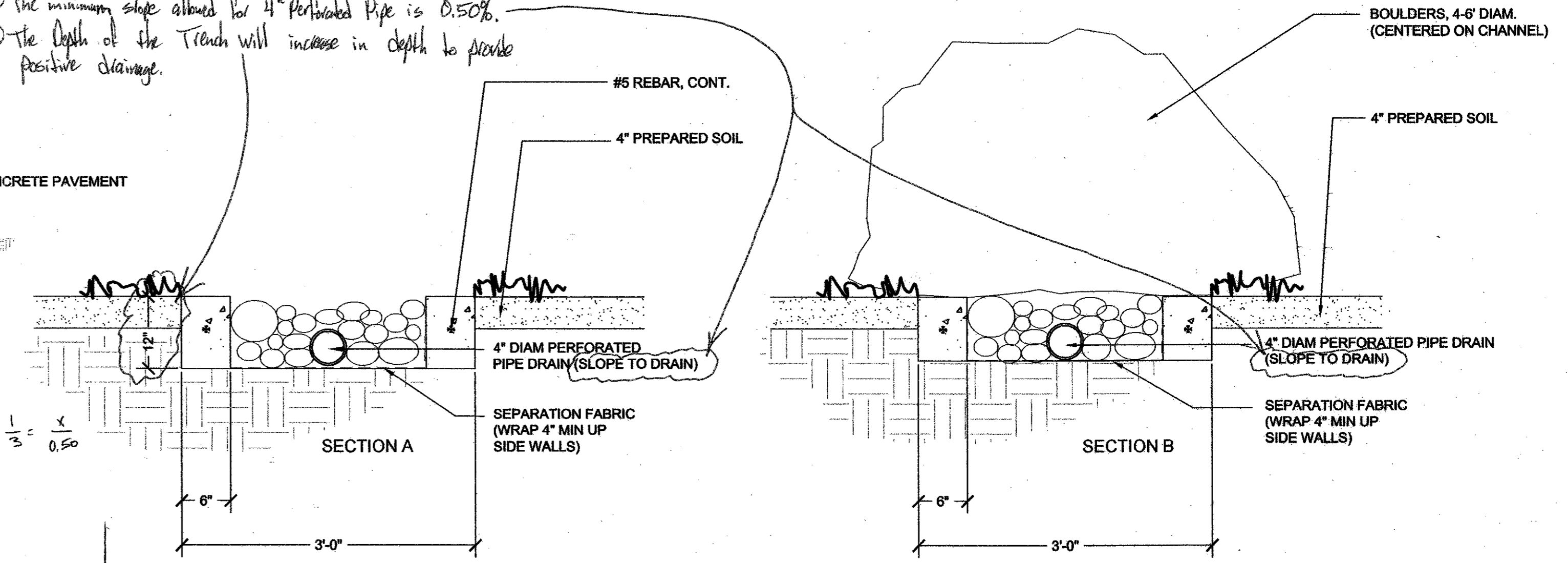
PLAN SCALE: 3/8\"/>



B LANDSCAPE BERMS - SECTION
DT-04

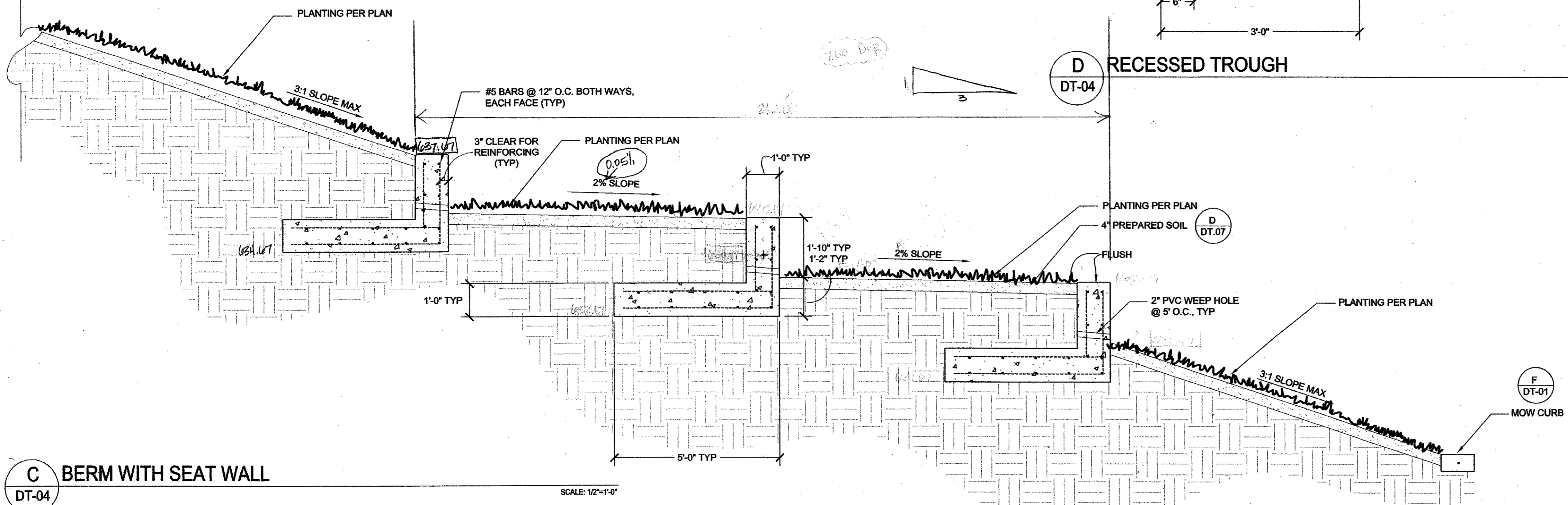
SCALE: 1/8\"/>

See RFI #084
 ① The minimum slope allowed for 4\"/>



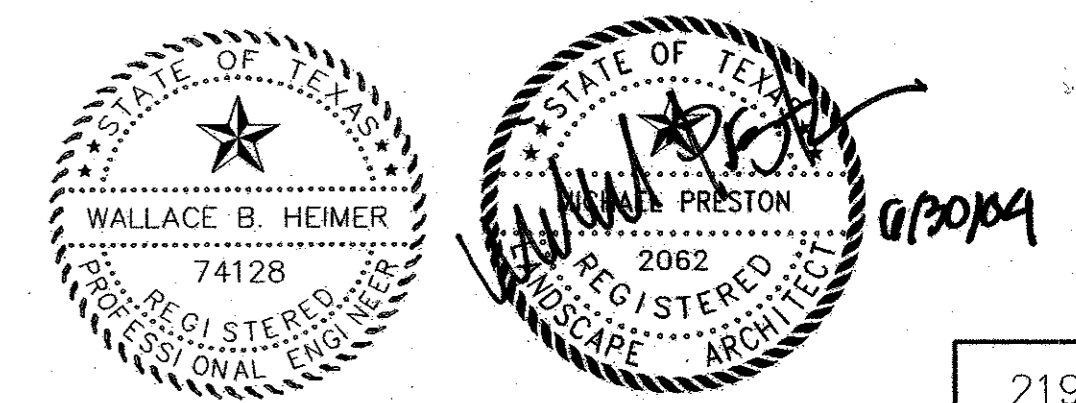
D RECESSED TROUGH
DT-04

SCALE: 1\"/>



C BERM WITH SEAT WALL
DT-04

SCALE: 1/2\"/>



NO.		DATE	REVISION	APPROV.
HNTB ARCHITECTS ENGINEERS PLANNERS The HNTB Companies				
ARAPAHO ROAD EXTENSION				
SURVEYOR BOULEVARD TO ADDISON ROAD				
SITEWORK DETAILS				
TOWN OF ADDISON, TEXAS				
Design	DAB	Drawn	DAB	DATE
Check	MP	Check	MP	6/3/04
SCALE	PROJECT NO.		SHEET NO.	
VARIABLES	25768		DT-04	