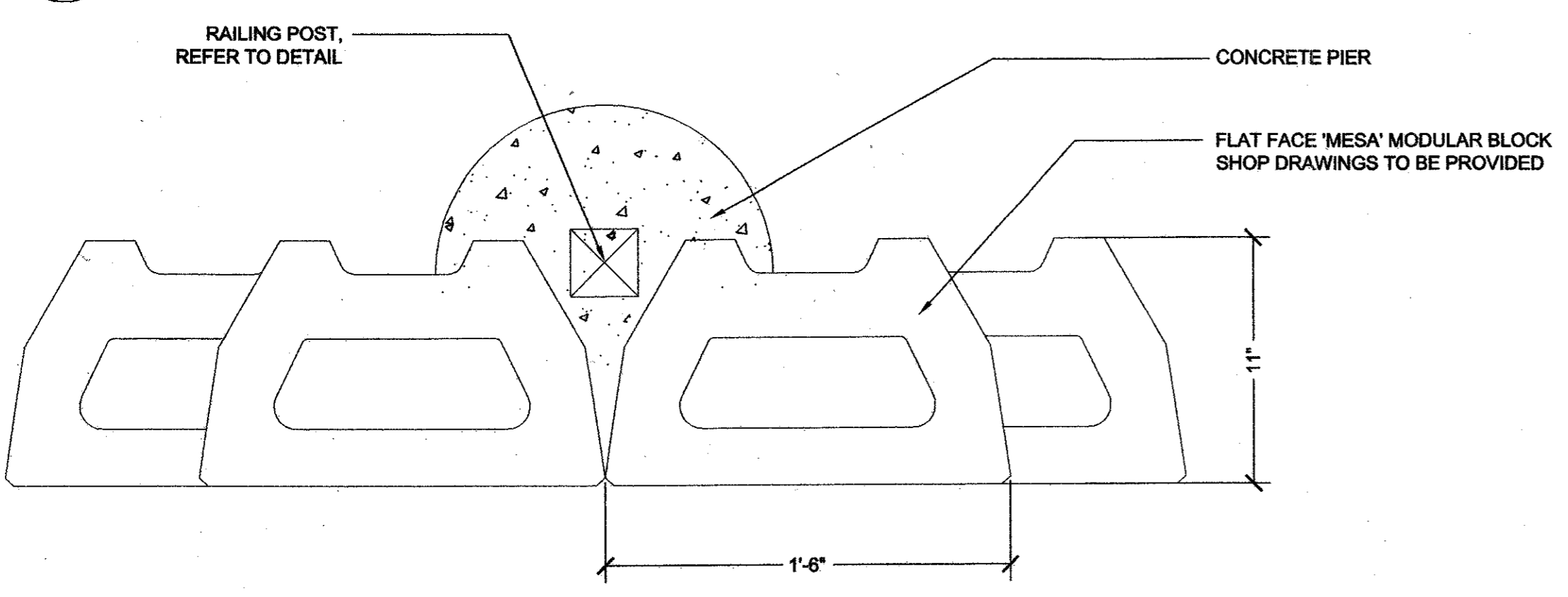
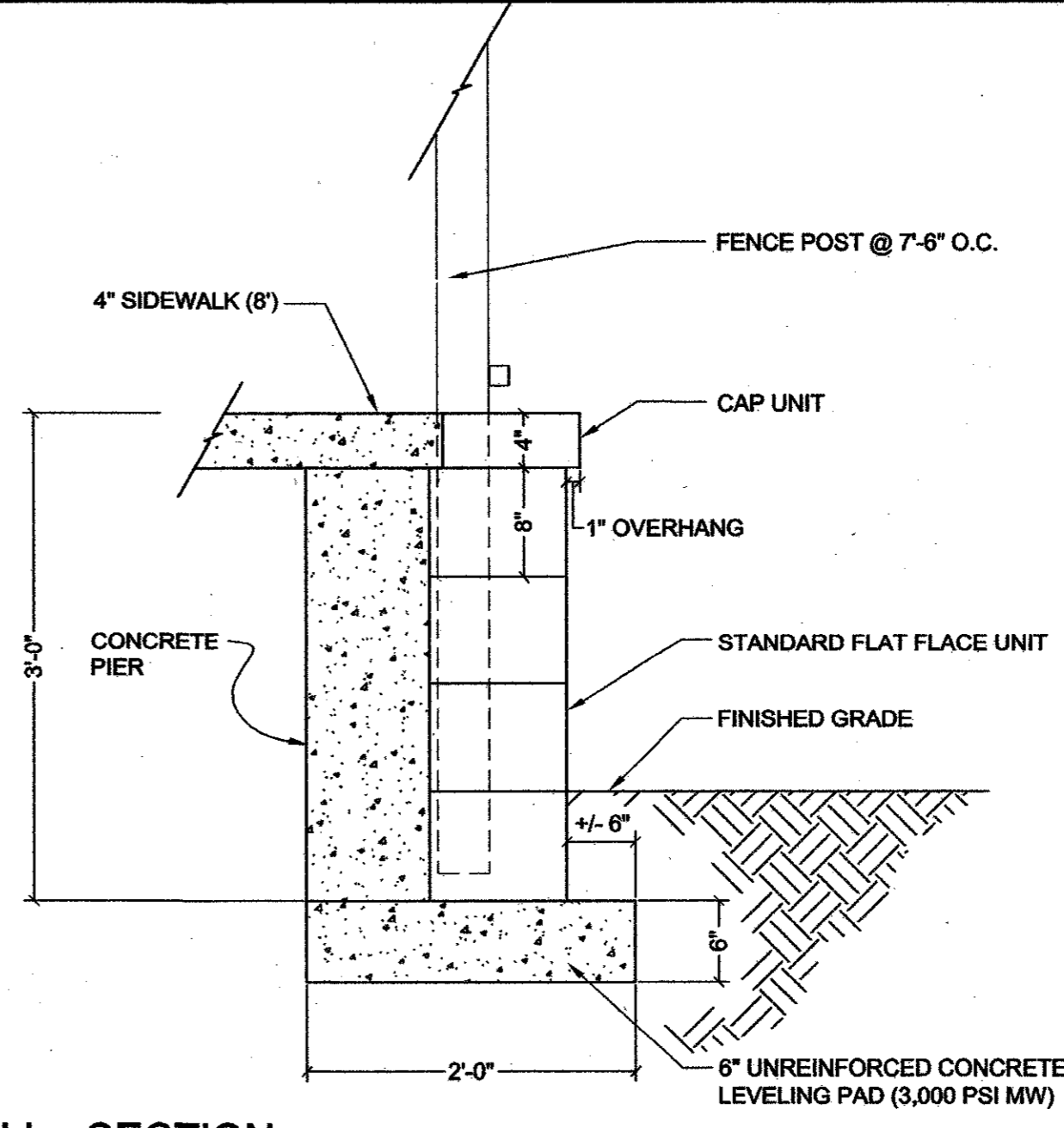


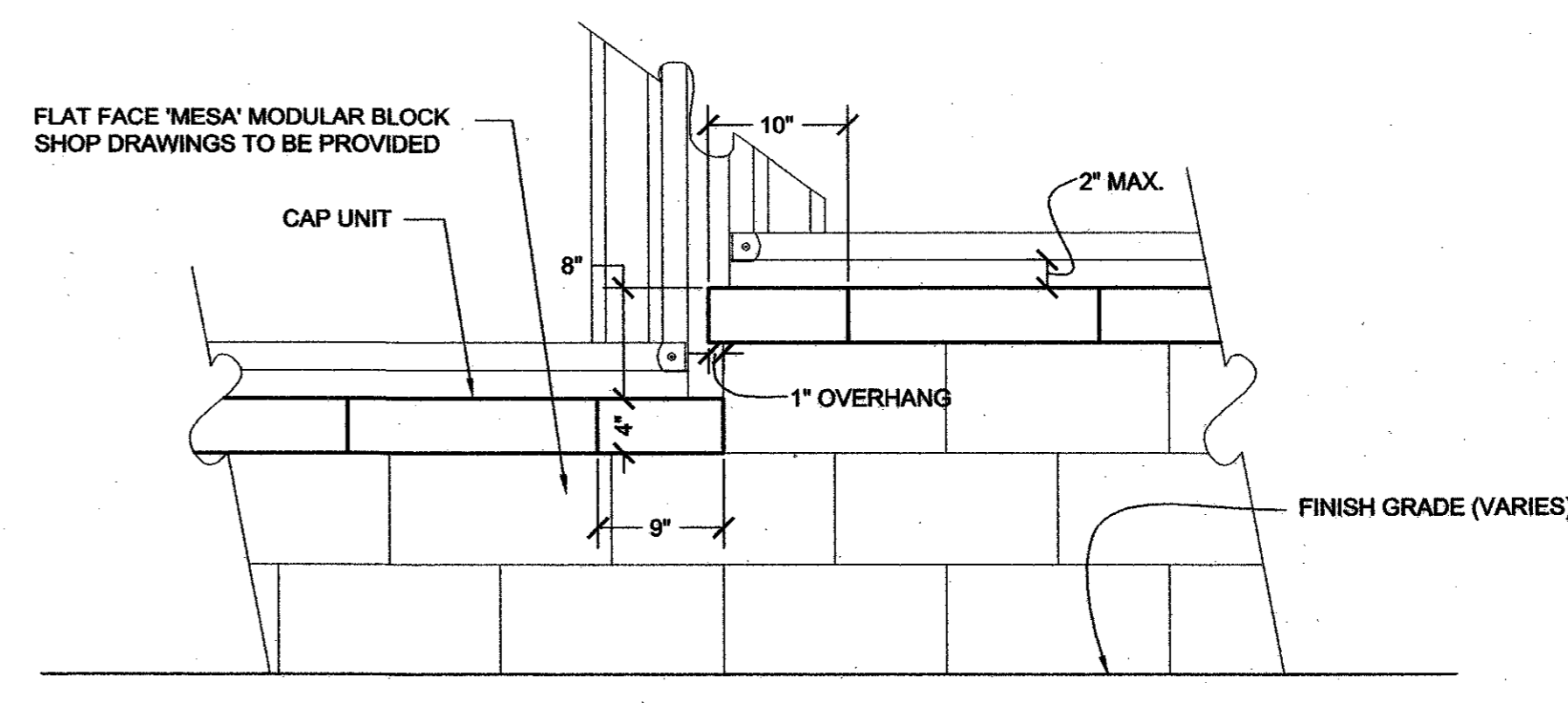
**A INDUSTRIAL SECURITY FENCING**  
DT-06 SCALE: 3/4"=1'-0"



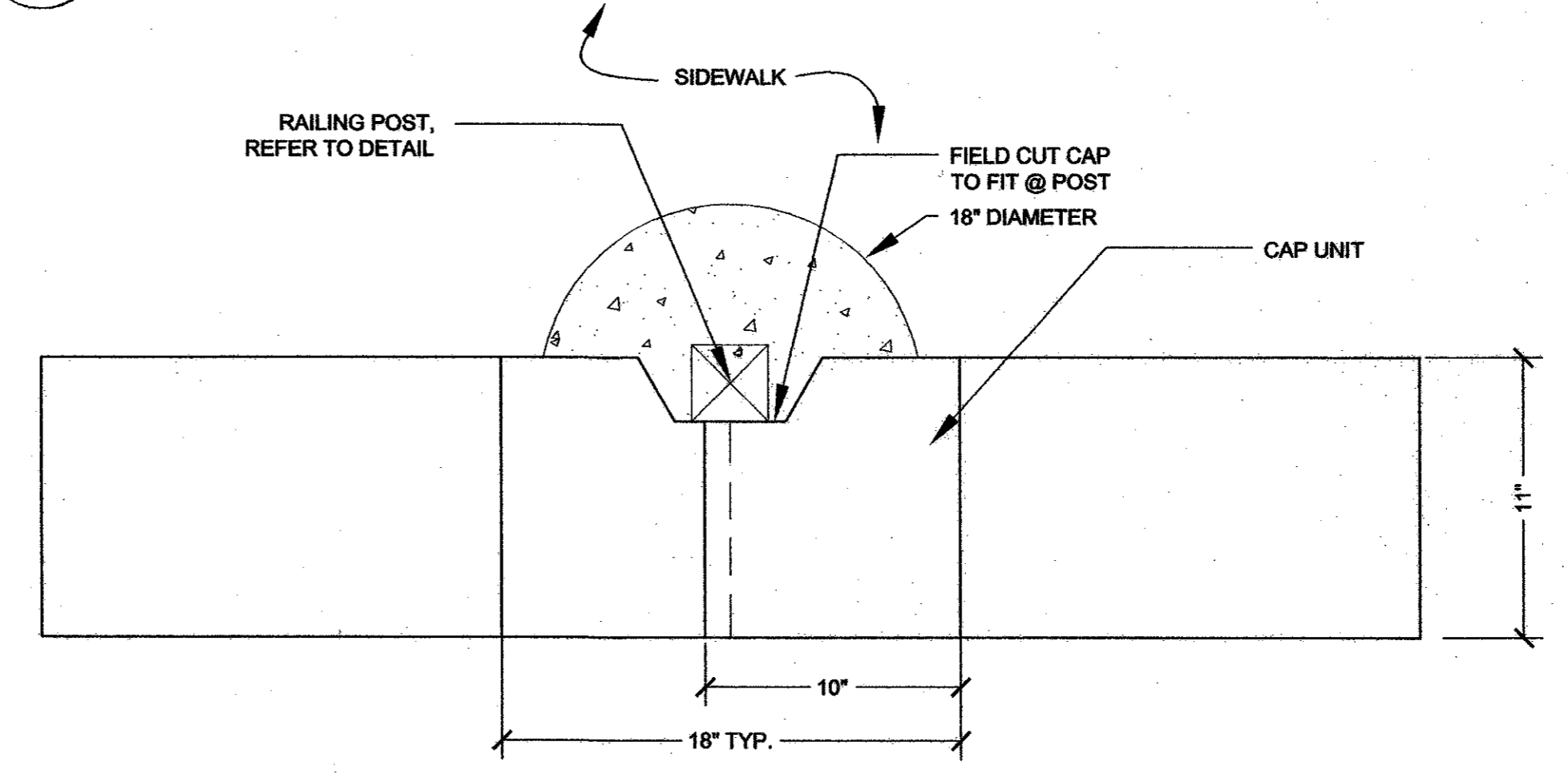
**D RETAINING WALL - PLAN**  
DT-06 SCALE: 2"=1'-0"



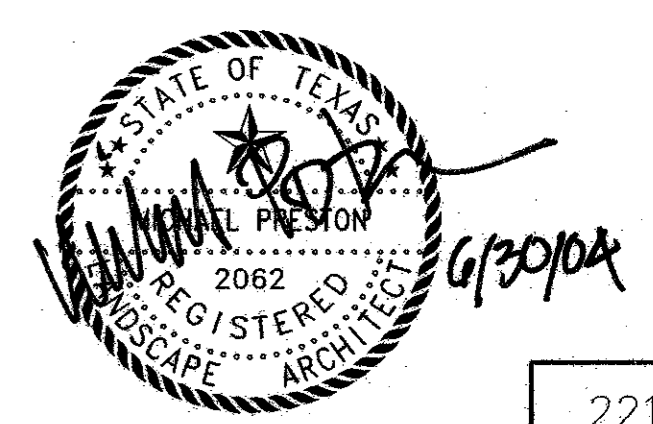
**B RETAINING WALL - SECTION**  
DT-06 SCALE: 1"=1'-0"



**C RETAINING WALL - ELEVATION**  
DT-06 SCALE: 1"=1'-0"



**E RETAINING WALL CAP - PLAN**  
DT-06 SCALE: 2"=1'-0"



NO.		DATE	REVISION	APPROV.
<b>HNTB</b> ARCHITECTS ENGINEERS PLANNERS The HNTB Companies				
<b>ARAPAHO ROAD EXTENSION</b>				
SURVEYOR BOULEVARD TO ADDISON ROAD				
FENCE AND RETAINING WALL DETAILS				
TOWN OF ADDISON, TEXAS				
Design	DAB	Drawn	DAB	DATE
Check	MP	Check	MP	6/3/04
SCALE	PROJECT NO.		SHEET NO.	
VARIES	25768		DT-06	