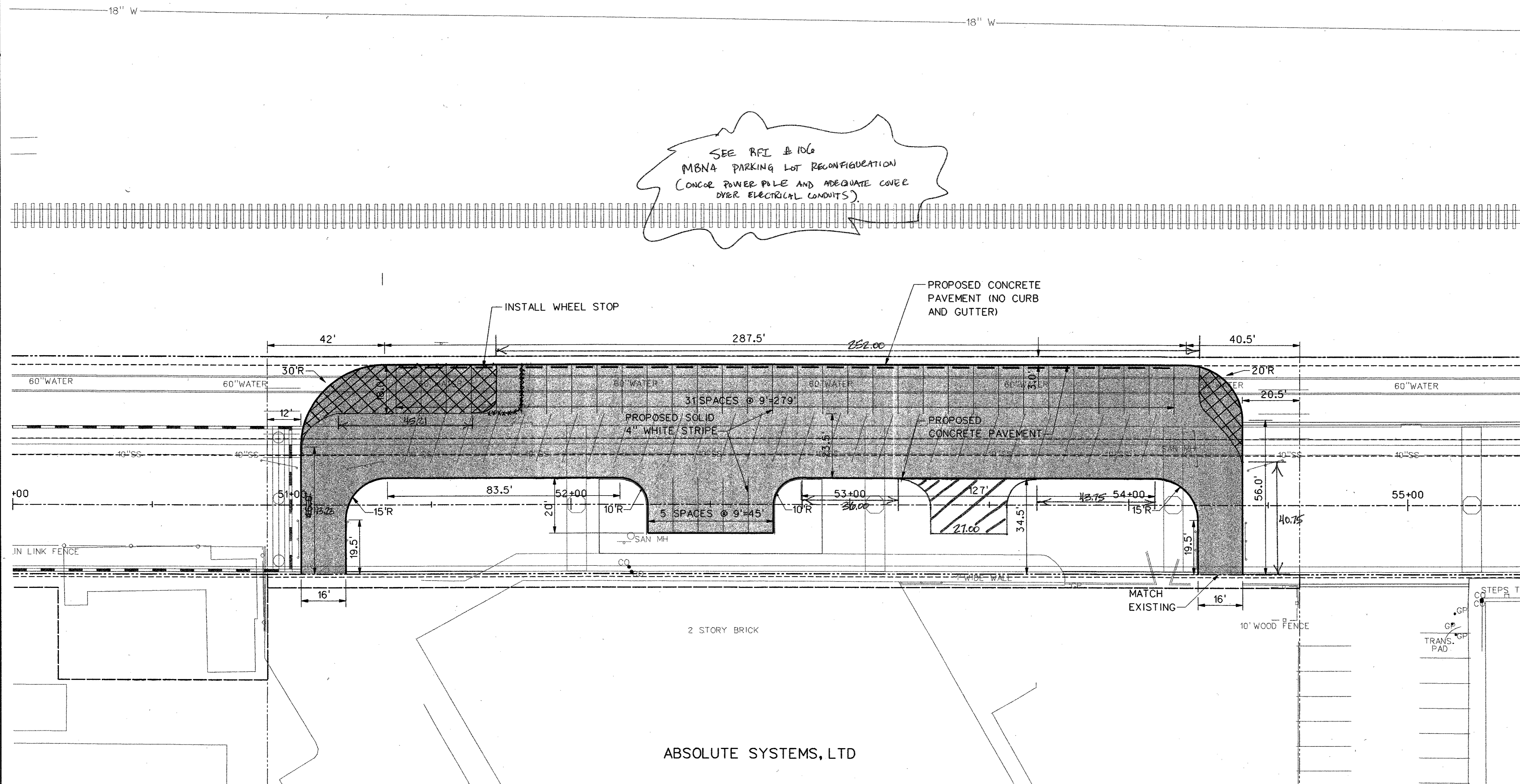


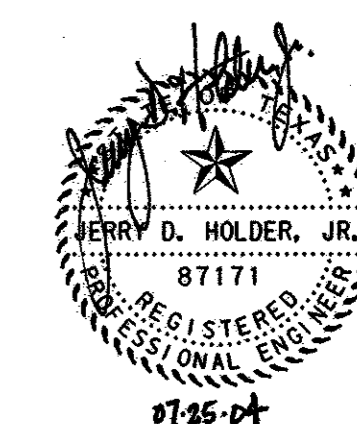
SEE RFI # 106  
 MBNA PARKING LOT RECONFIGURATION  
 (CONCR POWER POLE AND ADEQUATE COVER  
 OVER ELECTRICAL CONDUITS)



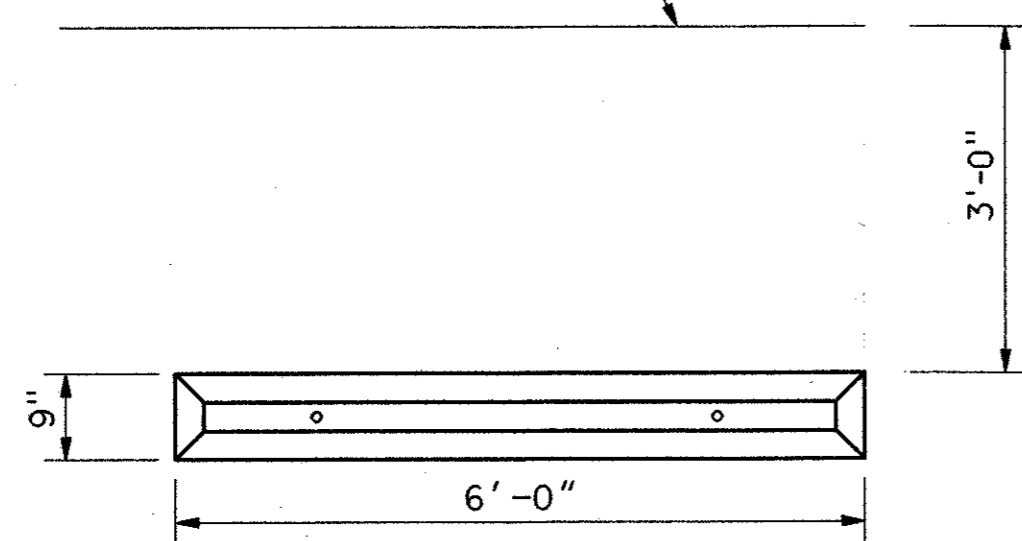
NOTE:  
 SEE SHEET G-1 FOR PARKING GRADING  
 PLAN.

**LEGEND**

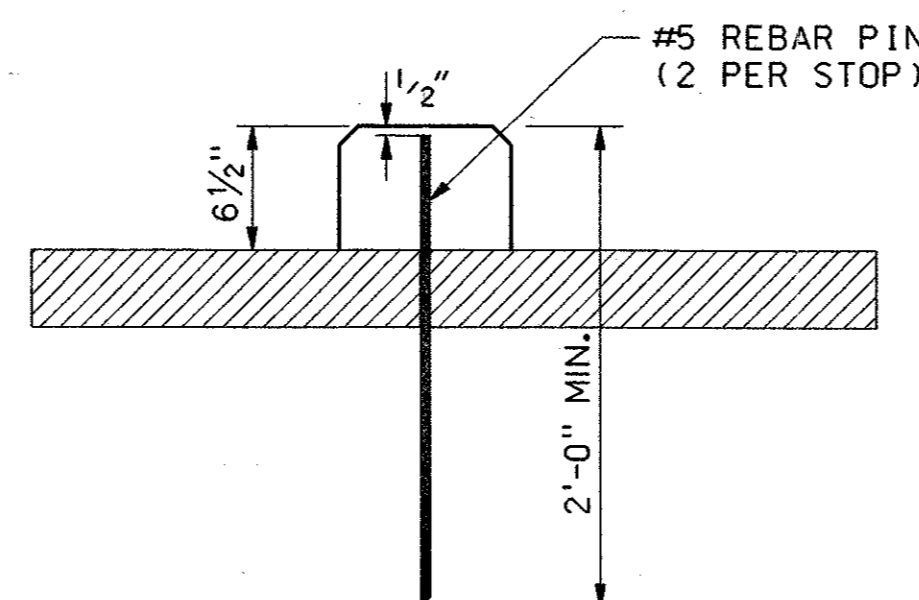
- PROPOSED SOLID 4" WHITE STRIPE
- PROPOSED PARKING LOT PAVEMENT



ANY VERTICAL OBSTACLE  
 (CURB, BUILDING, STAIRS, ETC.)



PLAN



SECTION

**VEHICULAR WHEEL STOP DETAIL**  
 NOT TO SCALE

NO.		DATE	REVISION	APPROV.
ARCHITECTS ENGINEERS PLANNERS The HNTB Companies <b>ARAPAHO ROAD - PHASE III</b> SURVEYOR BOULEVARD TO ADDISON ROAD PARKING LAYOUT MBNA TOWN OF ADDISON, TEXAS				
Design JSN	Drawn GFS	DATE	SCALE	PROJECT NO. SHEET NO.
Check JDH	Check JSN	APRIL 04	H: 1"= 20'	25768 PK-2