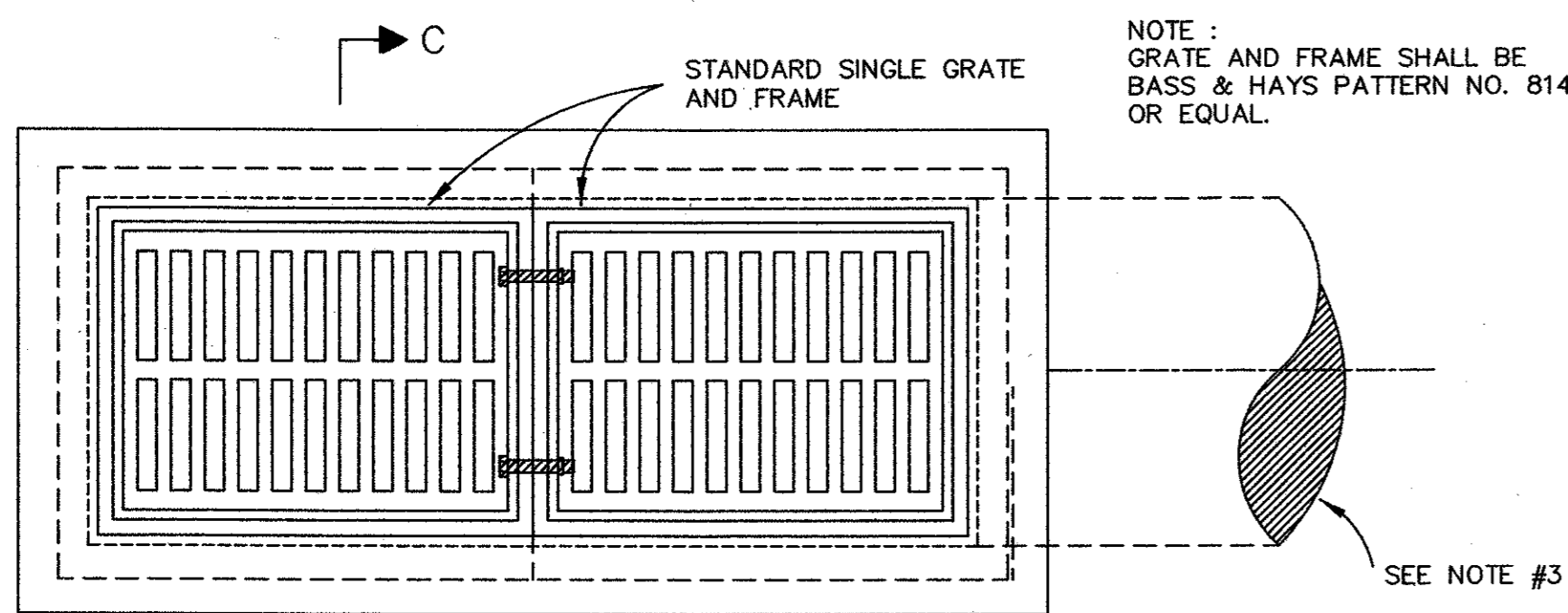


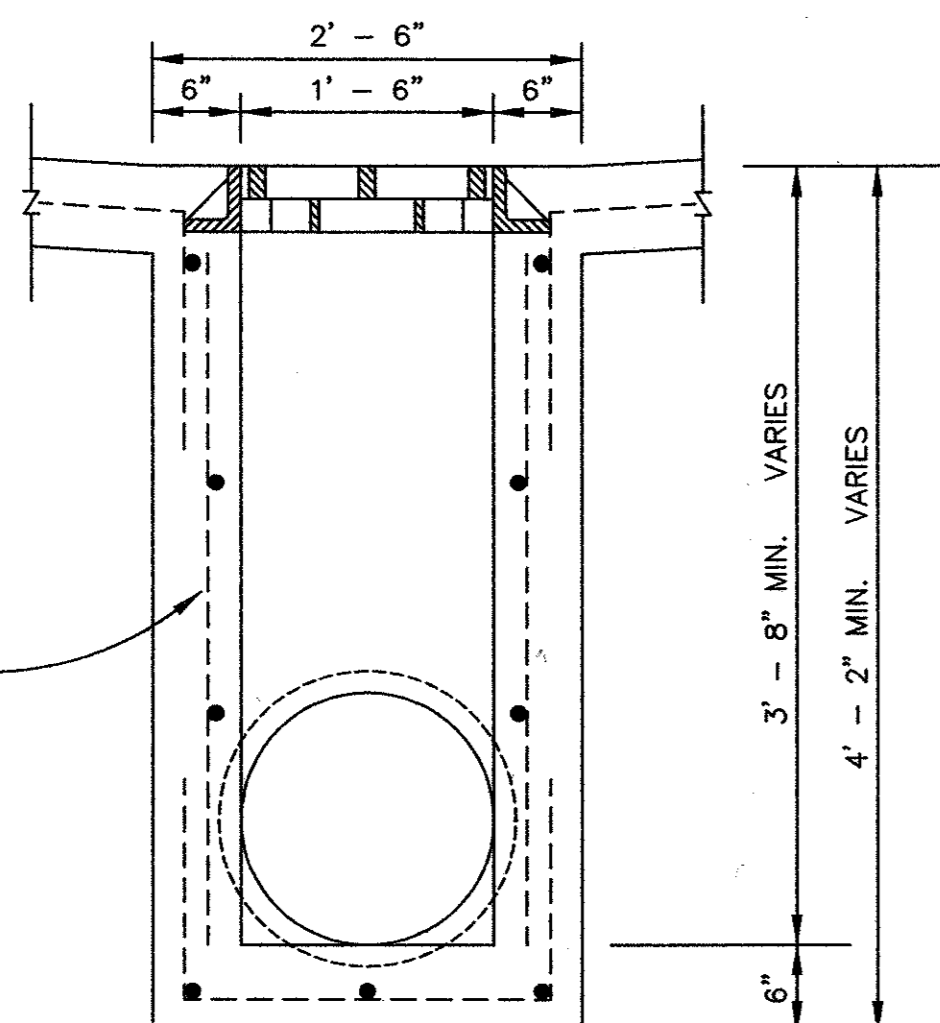
NO.	DATE	REVISION	APPROV.
1			
2			
3			

ALL CAST IRON FITTINGS SHALL BE DOMESTIC.



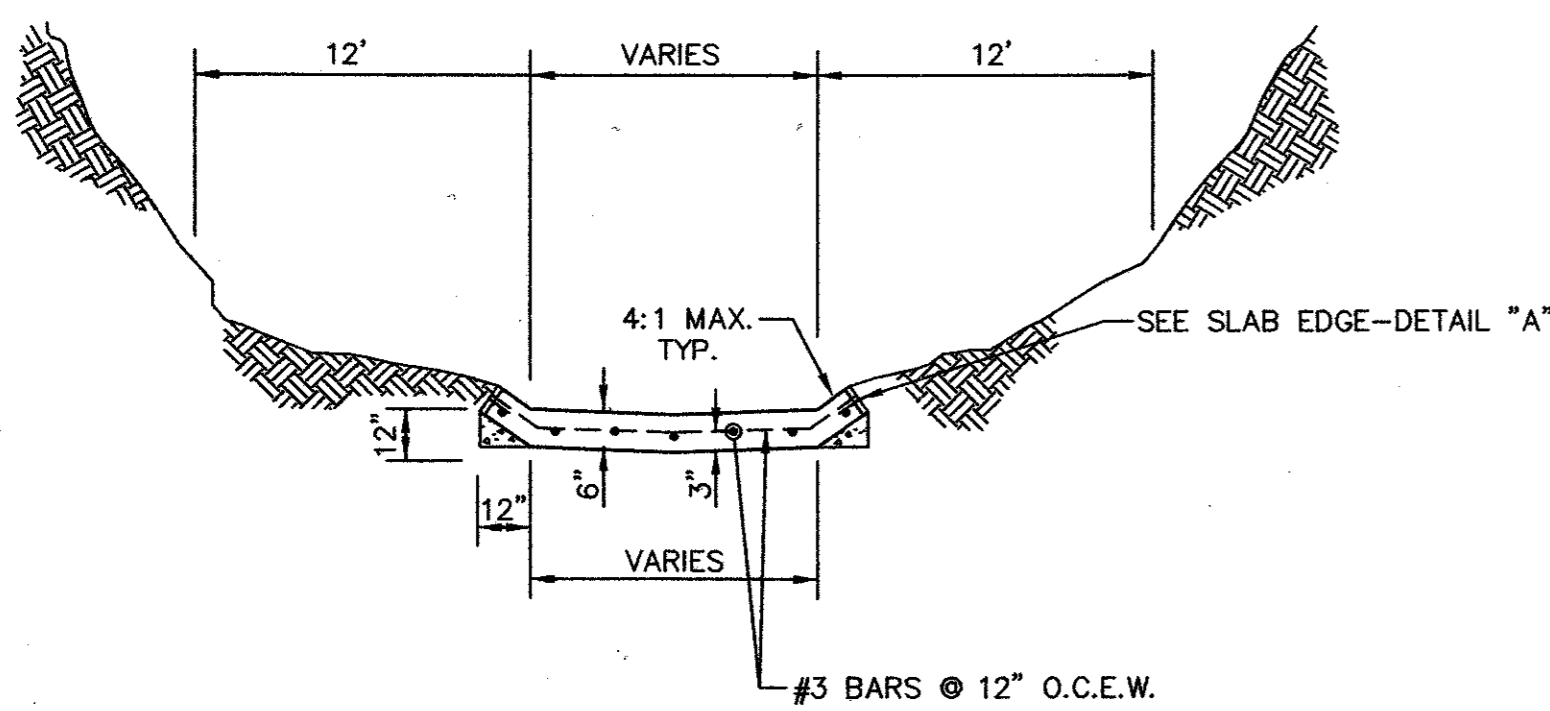
TWO GRATE INLET

N.T.S.



SECTION C-C

N.T.S.



CONCRETE CHANNEL FLUME

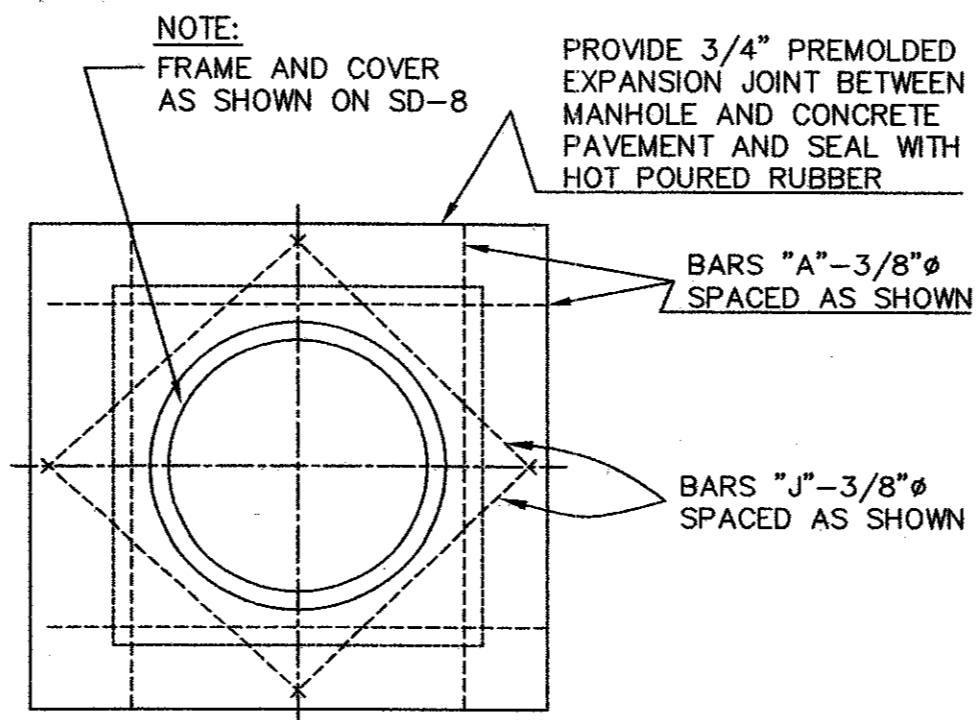
NOT TO SCALE

NOTES:

1. PROPOSED CHANNEL LINING SHALL MATCH EXISTING CHANNEL.
2. DOWEL 18" LONG #3 BARS @ 12" CENTERS FROM CHANNEL LINING 9" INTO PARALLEL BOX CULVERT WINGWALLS.

GENERAL UTILITY NOTE

RELOCATION OF ELECTRIC, GAS, TELEPHONE, AND CABLE TELEVISION LINES WILL OCCUR AFTER THESE DRAWINGS ARE COMPLETED. CONTRACTOR MUST OBTAIN NEW LOCATIONS OF ALL UTILITIES PRIOR TO STARTING CONSTRUCTION.

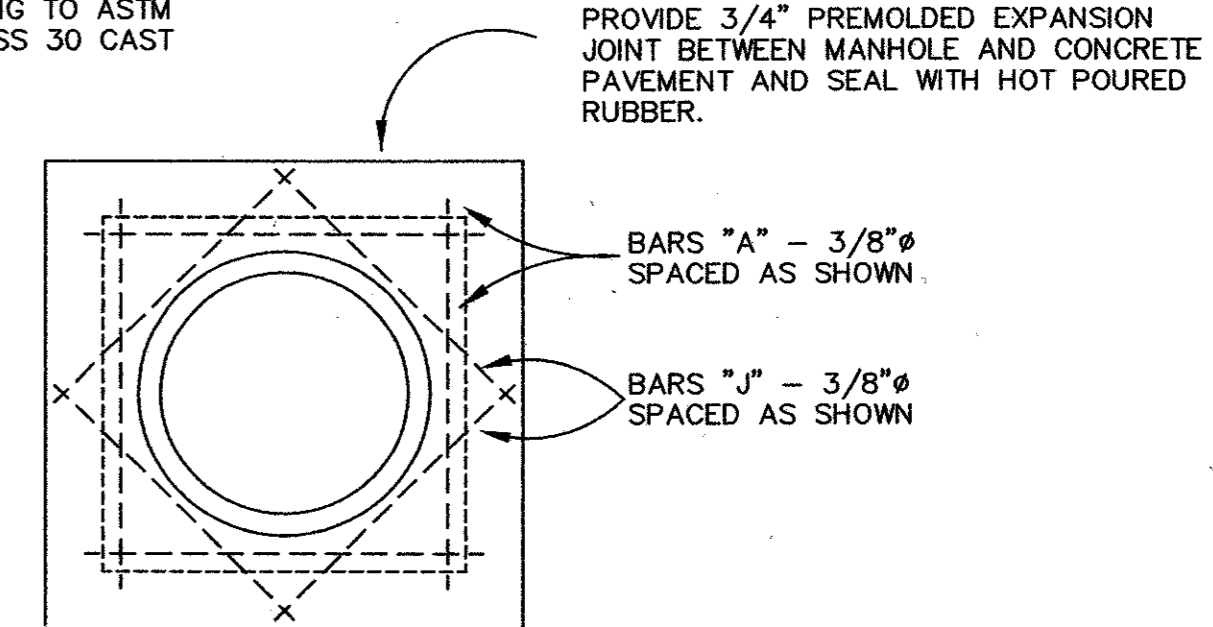


TOP PLAN

TYPE A & TYPE B STORM SEWER MANHOLE

NOTE: MAXIMUM PIPE SIZE TO BE USED 78". PIPE SIZE IN EXCESS OF 78" SHALL HAVE A JUNCTION STRUCTURE DESIGNED AND SUBMITTED TO THE CITY FOR REVIEW AND APPROVAL.

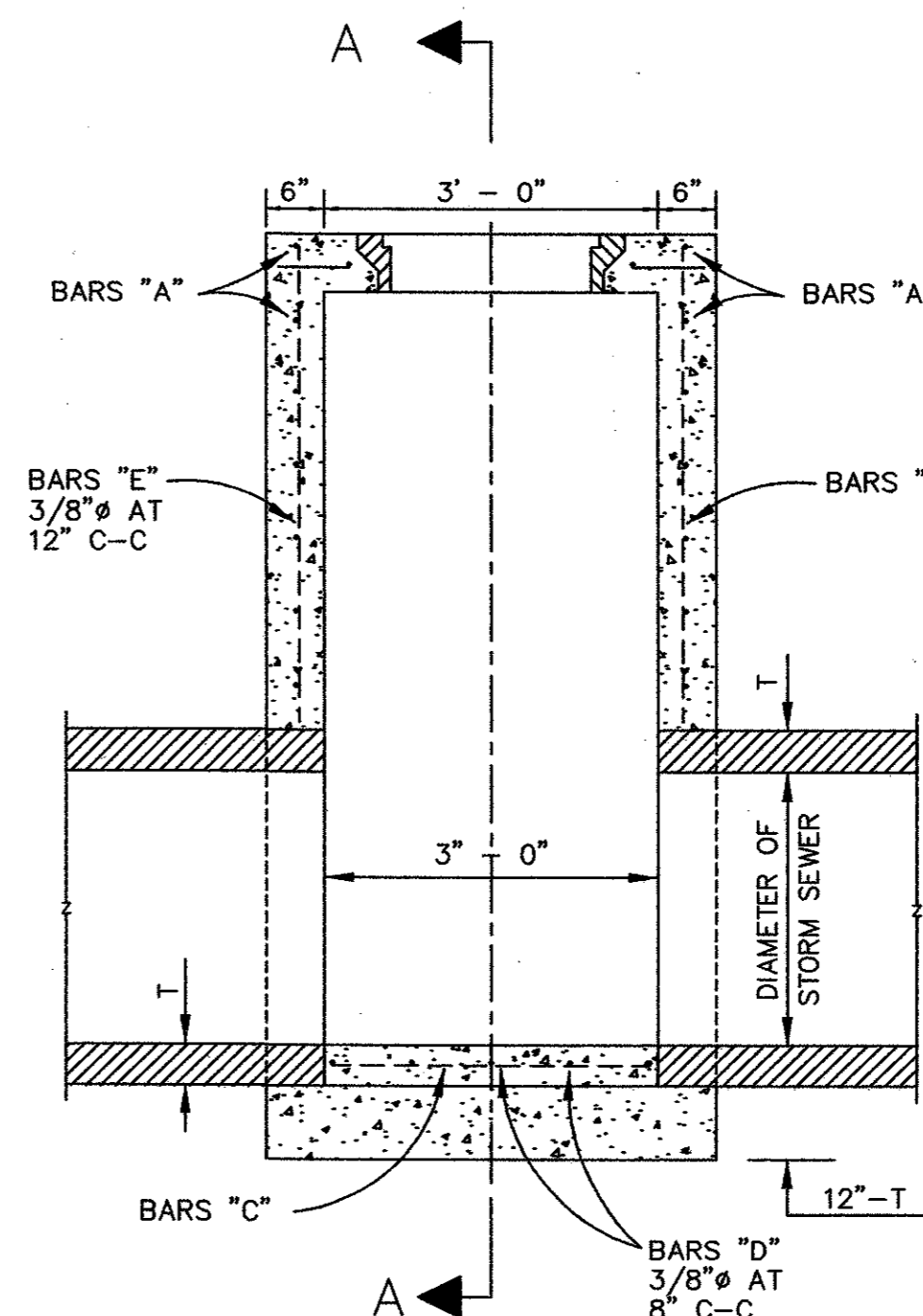
NOTE: FRAME AND COVER SHALL BE BASS & HAYS PATTERN NO. 380-24 OR EQUAL AND SHALL BE GRAY CAST IRON CONFORMING TO ASTM SPEC. A-48 FOR CLASS 30 CAST IRON.



TOP PLAN TYPE A STORM SEWER MANHOLE

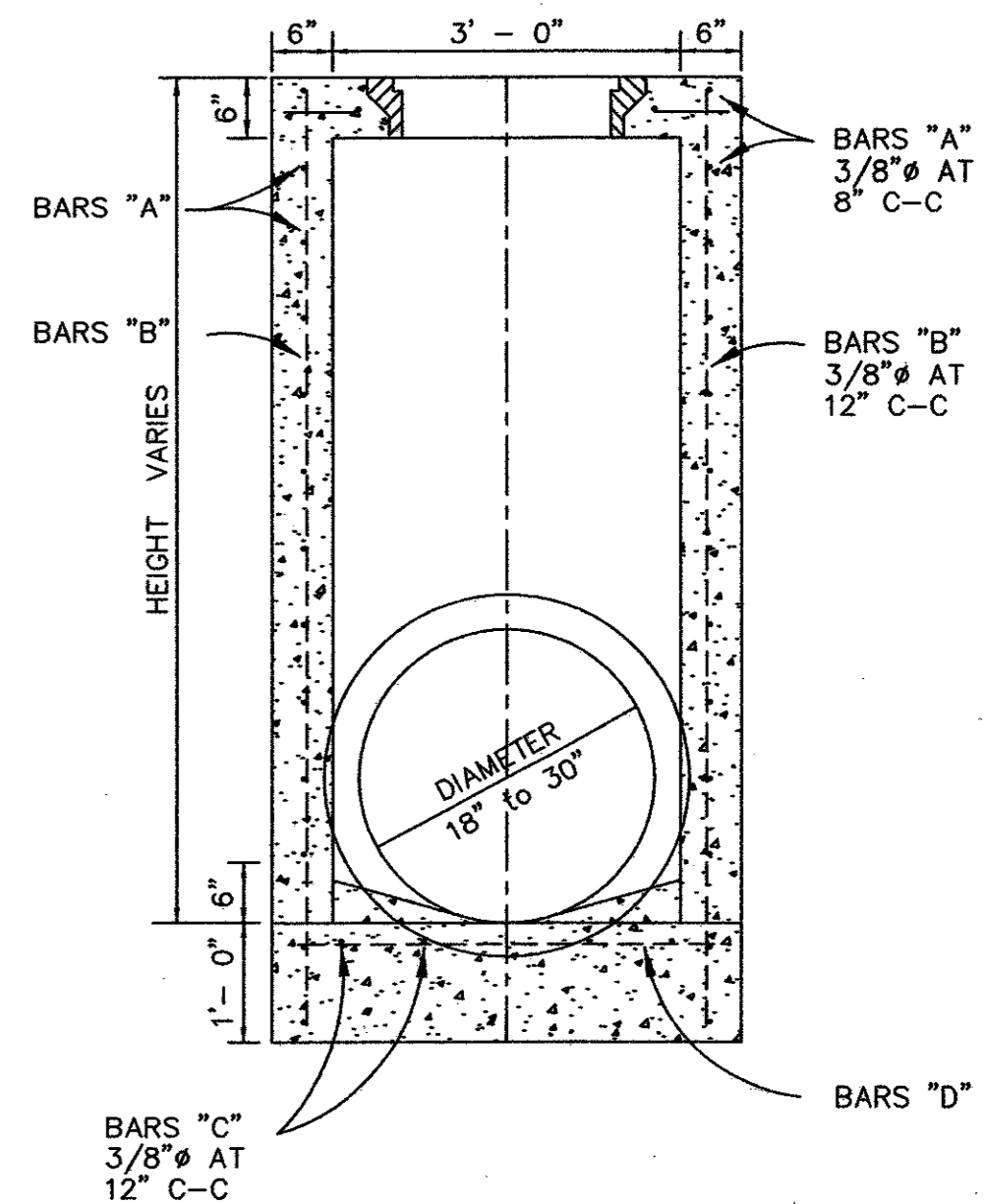
N.T.S.

ALL CAST IRON FITTINGS SHALL BE DOMESTIC.



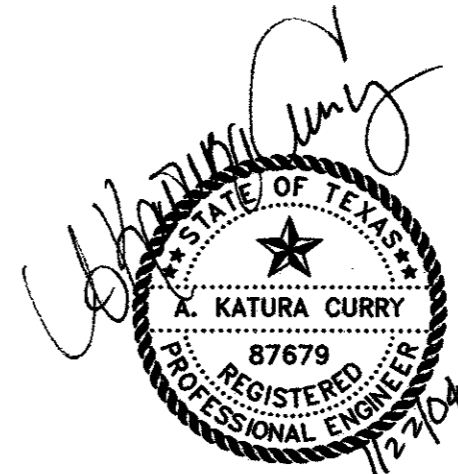
ELEVATION

N.T.S.



SECTION A-A

N.T.S.



THE SEAL APPEARING ON THIS DOCUMENT WAS AUTHORIZED BY: A. KATURA CURRY ON 7-21-04. ALTERATION OF A SEALED DOCUMENT WITHOUT PROPER NOTIFICATION TO THE RESPONSIBLE ENGINEER IS AN OFFENSE UNDER THE TEXAS ENGINEERING PRACTICE ACT.

DATE:	MAY 2004	SCALE:	NOT TO SCALE	JOB NO.:	320
DRAWN:	G&A	DESIGN:	BRG	REVIEWED:	BRG
DWG: 320DETAILS					
<b>ARAPAHO ROAD PHASE III</b>					
<b>STANDARD CONSTRUCTION DETAILS</b>					
<b>DRAINAGE - SHEET 3 OF 3</b>					
<b>TOWN OF ADDISON</b>					
<b>g&amp;a</b>			<b>Grantham &amp; Associates, Inc.</b>		
1919 S. SHILOH ROAD, SUITE 310, L.B. 8 GARLAND, TEXAS 75042			(972) 864-2333 (TEL) (972) 864-2334 (FAX)		
					<b>SHT. SW-28</b>

113C