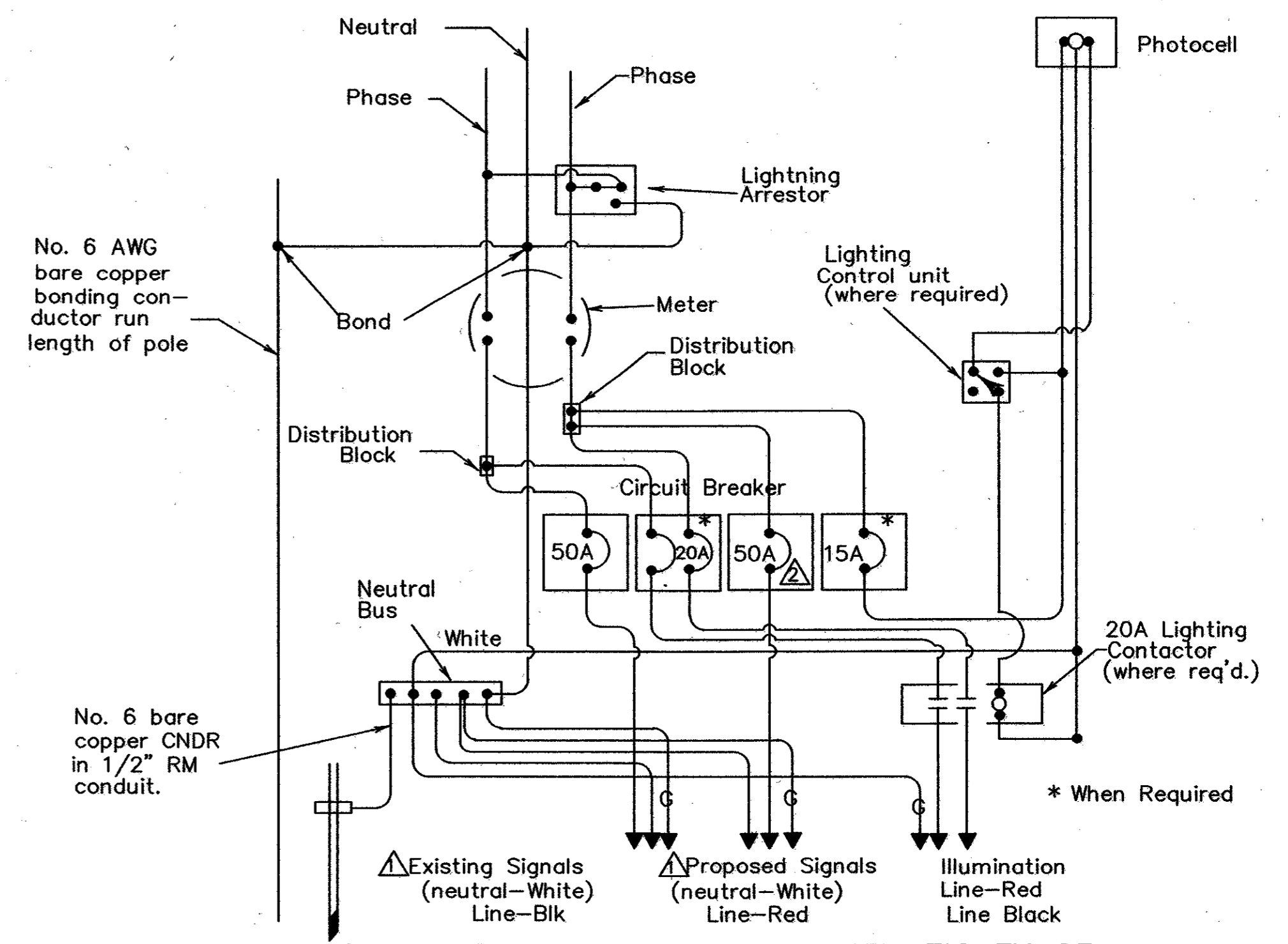
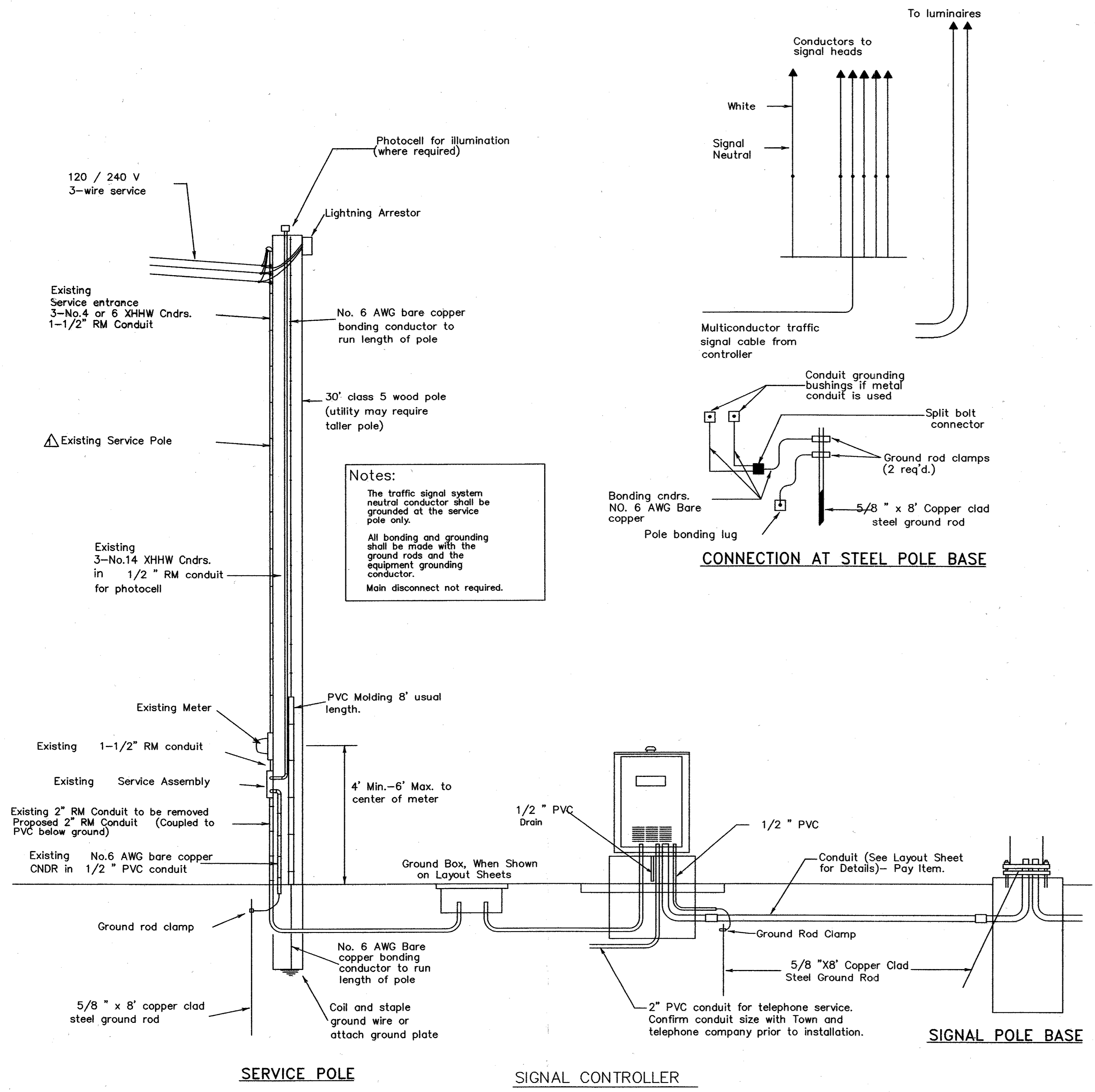
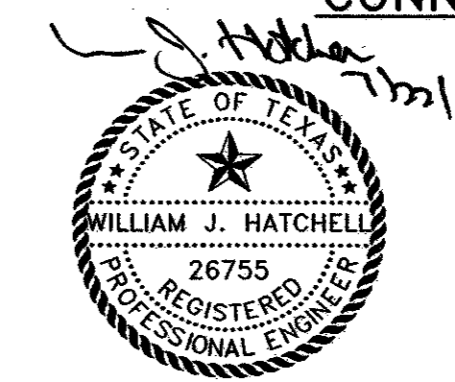
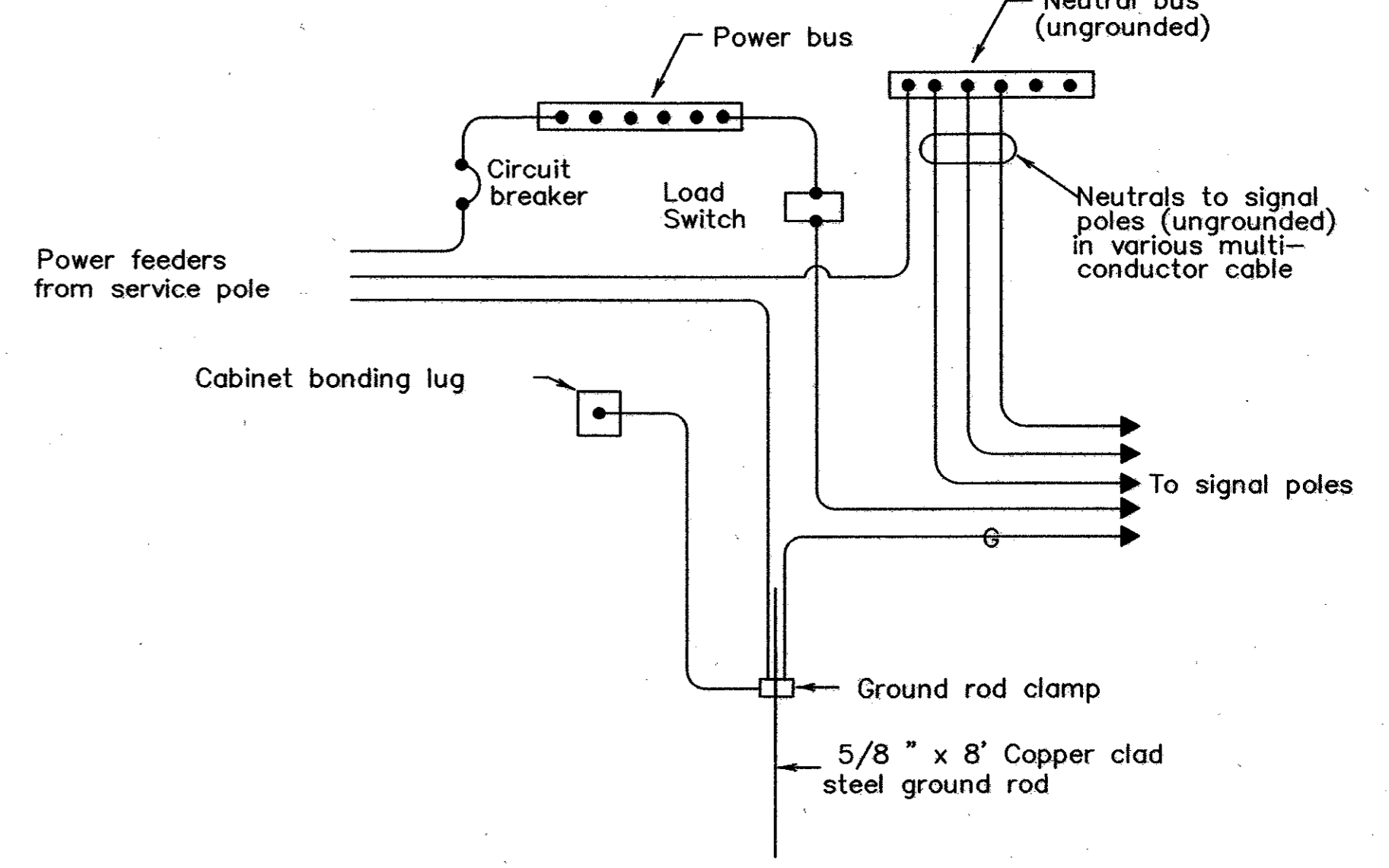


NO.	DATE	REVISION	APPROV.
1			
2			
3			



△ All circuit breakers are existing. The contractor shall install a new 50 AMP breaker for the new controller and remove the existing 50 AMP breaker for the existing controller after signals are operational.



THE SEAL APPEARING ON THIS DOCUMENT WAS AUTHORIZED BY: WILLIAM J. HATCHELL ON 7-21-04. ALTERATION OF A SEALED DOCUMENT WITHOUT PROPER NOTIFICATION TO THE RESPONSIBLE ENGINEER IS AN OFFENSE UNDER THE TEXAS ENGINEERING PRACTICE ACT.

THIS DETAIL SHEET WAS OBTAINED FROM TXDOT

DATE:	MAY 2004	SCALE:	NOT TO SCALE	JOB NO.:	320
DRAWN:	G&A	DESIGN:	BRG	REVIEWED:	BRG
DWG: 320DETAILS-TRAF					
ARAPAHO ROAD PHASE III					
SERVICE POLE DETAILS					
TOWN OF ADDISON					
g&a Grantham & Associates, Inc.			SHT. TS-18		
1919 S. SHILOH ROAD, SUITE 310, L.B. 8 GARLAND, TEXAS 75042			(972) 864-2333 (TEL) (972) 864-2334 (FAX)		