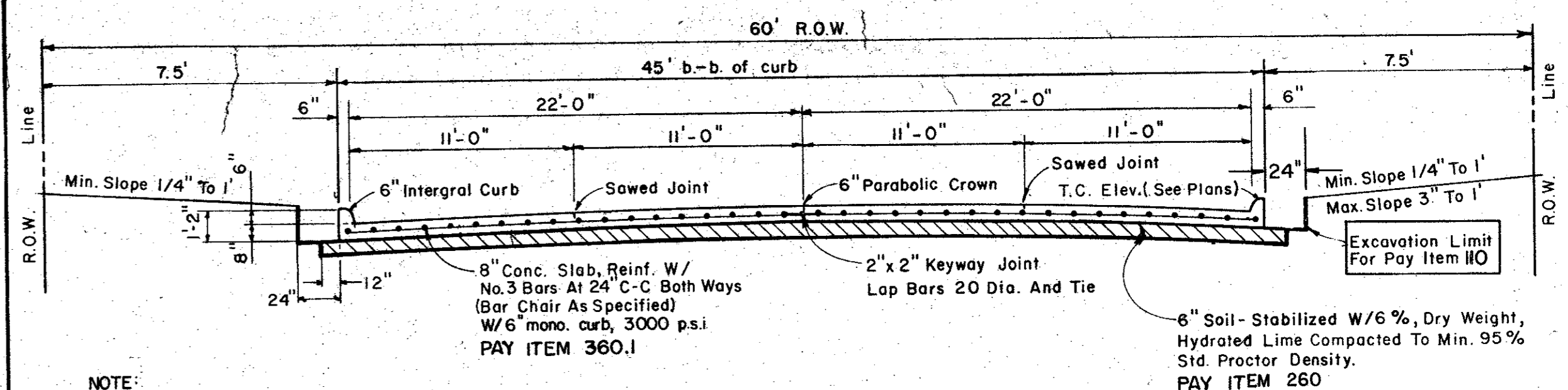
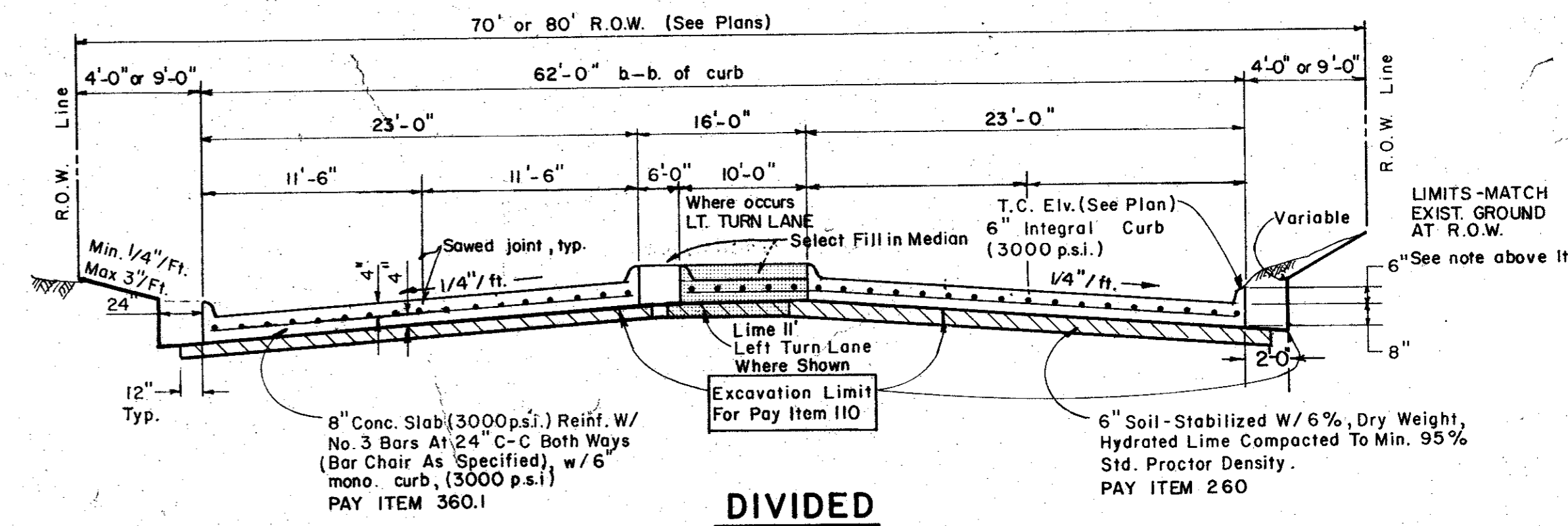


LEFT TURN LANE & LANE MARKER DETAIL



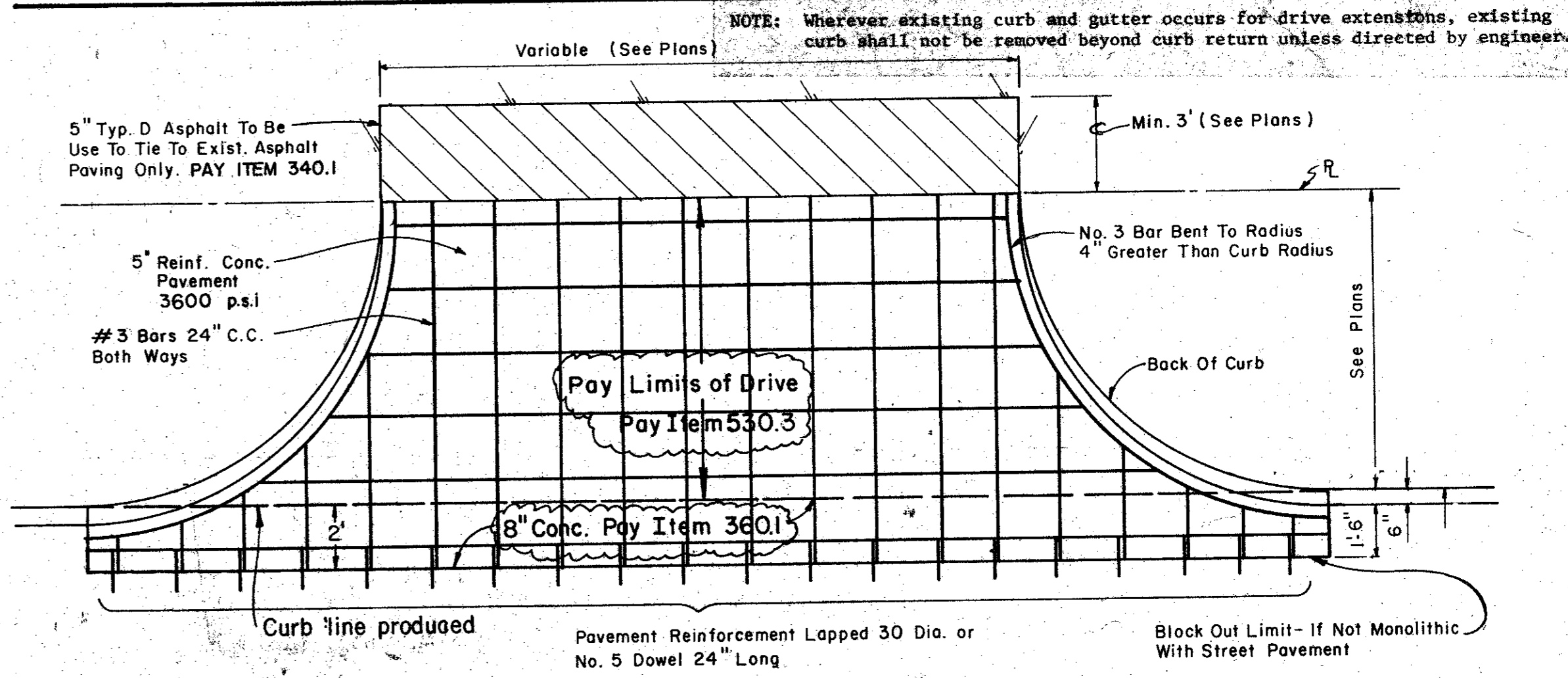
NOTE: BACKFILL MATERIAL NOT A SEPARATE PAY ITEM. MATERIAL ACQUIRED FROM EXCAVATION MAY BE USED IF APPROVED BY ENGINEER.

UNDIVIDED

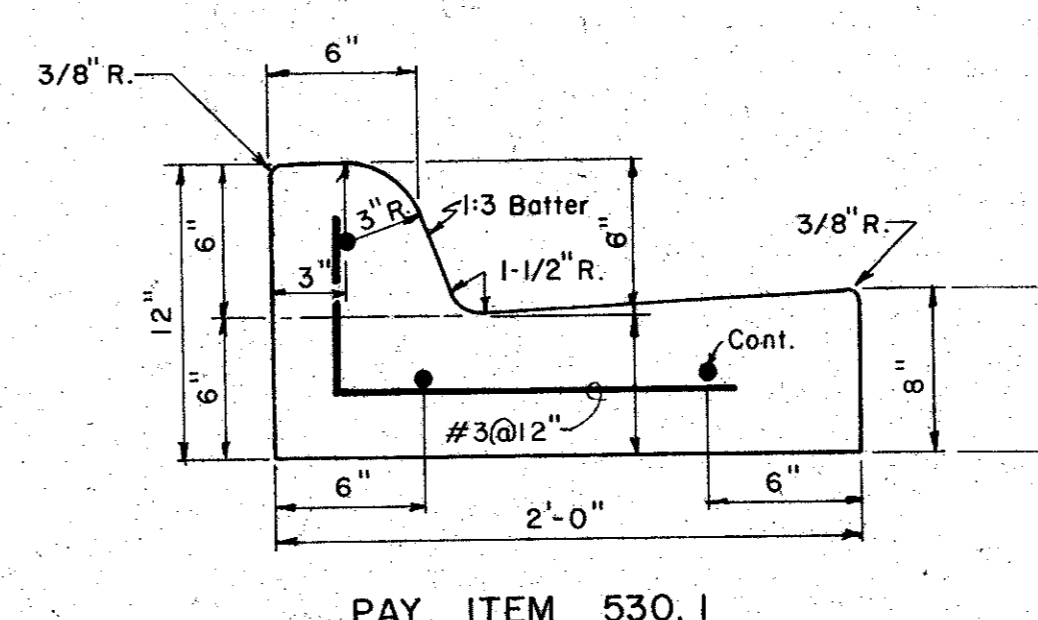


DIVIDED

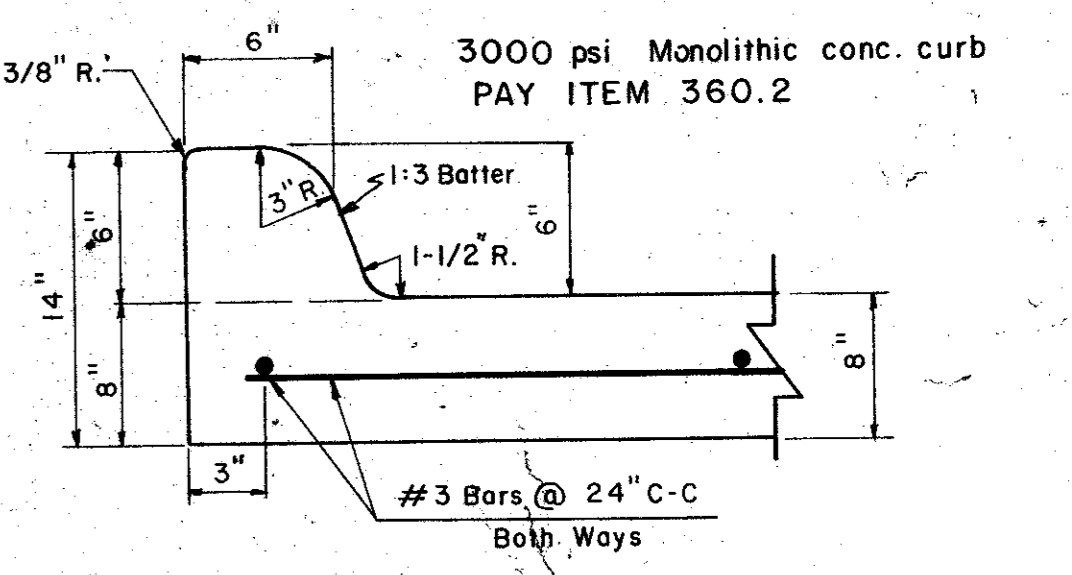
TYPICAL PAVING SECTION DETAILS



DRIVEWAY PAVING DETAIL



SEPARATE CURB & GUTTER  
REINFORCEMENT SHALL BE NO. 5 BARS



6" INTEGRAL CURB & GUTTER DETAIL

CITY OF ADDISON  
DALLAS COUNTY, TEXAS  
ARAPAHO ROAD / QUORUM DRIVE

PAVING DETAILS A

GINN, INC.  
Consulting Engineers Dallas, Texas

DESIGNED-G.W. DRAWN-G.F. DATE-DECEMBER, 1983 JOB No. J-177  
APPROVED-H.G. CHECKED-G.F. SCALE-NONE SHEET 10 OF 22