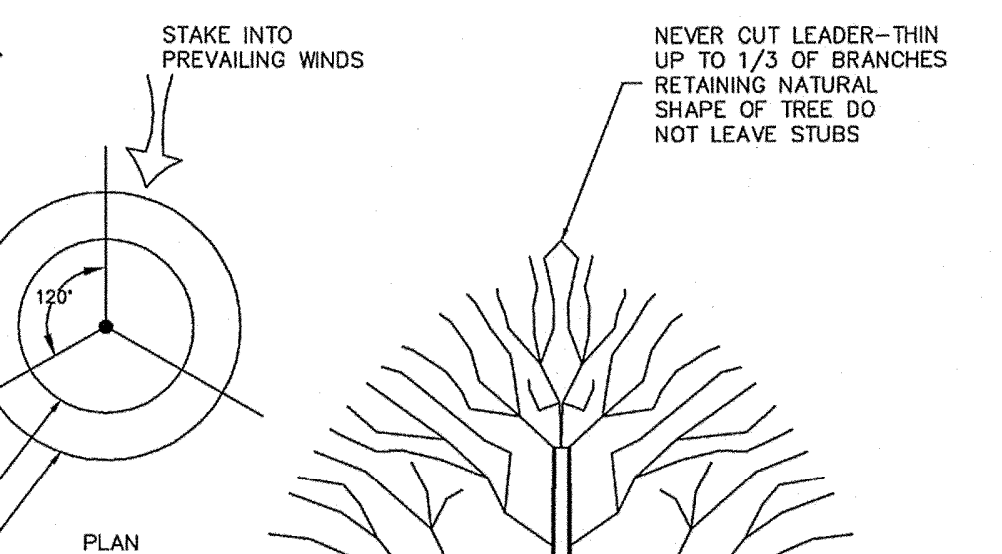
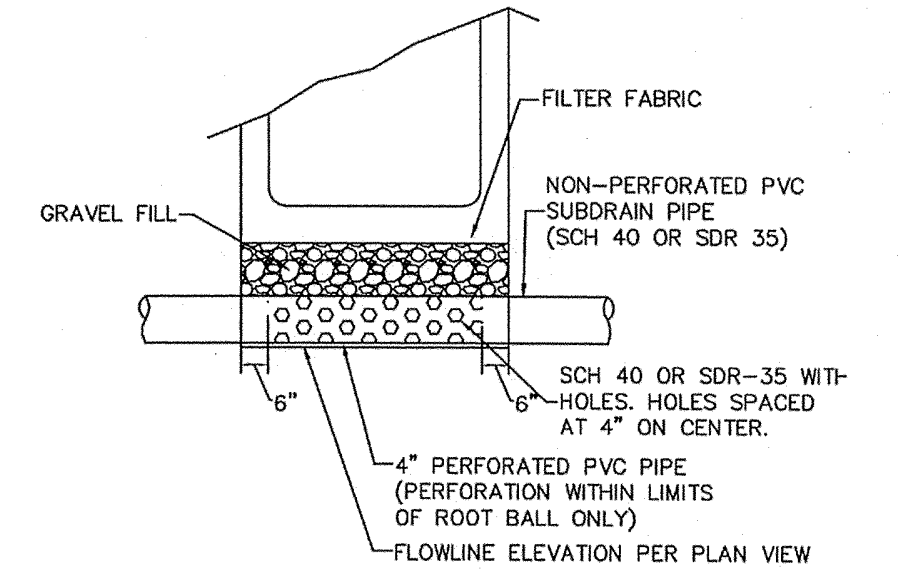


- 18" NYLOPLAST DROP-IN GRATE**
1. QUALITY: MATERIAL SHALL CONFORM TO ASTM A536 GRADE 70-50-05.
  2. MATERIAL: DUCTILE IRON.
  3. PAINT: CASTING ARE FURNISHED WITH A BLACK PAINT.
  4. LOCKING DEVICE AVAILABLE UPON REQUEST.
  5. CONTRACTOR TO USE NYLOPLAST OR EQUAL; FOR ORDERING CALL 1-800-821-6710.

NOTES:  
1) ALL PVC SHALL BE SCHEDULE 40 OR SDR-35



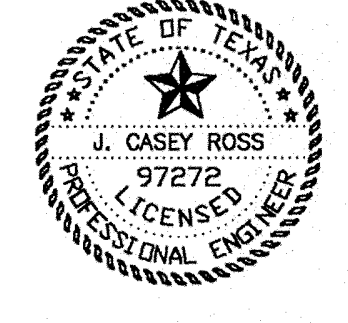
**TREE IN GRATE DETAIL**  
N.T.S.



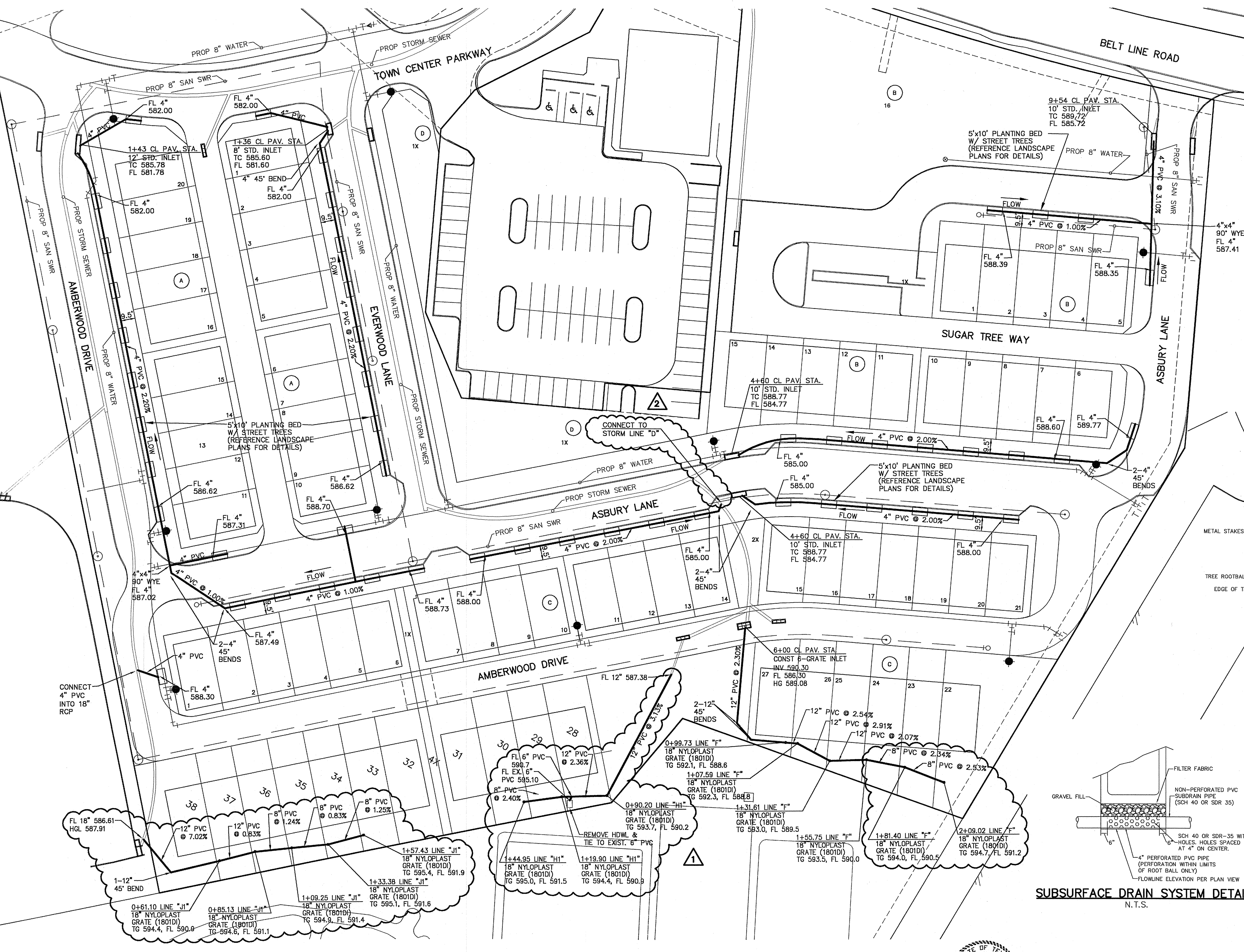
**SUBSURFACE DRAIN SYSTEM DETAIL**  
N.T.S.

TREE DRAIN PLAN					
ASBURY CIRCLE					
TOWN OF ADDISON					
DALLAS COUNTY, TEXAS					
<b>DOWDEY, ANDERSON &amp; ASSOCIATES, INC.</b> 5225 Village Creek Drive, Suite 200 Plano, Texas 75093 972-931-0694					
DESIGN	DRAWN	CHECKED	DATE	SCALE	JOB SHEET
JCR	JCR	JCR	11/15/06	1"=30'	06010 1

NO.	DATE	BY	REVISION
1	1/02/08	JCR	ADDED TREE DRAIN LINES
2	1/21/08	JCR	REVISED CONNECTION LOCATION



THESE CONSTRUCTION PLANS WERE PREPARED UNDER THE RESPONSIBLE SUPERVISION OF J. CASEY ROSS, LICENSED PROFESSIONAL ENGINEER NO. 97272.  
*J. Casey Ross 1/21/08*



**BENCHMARKS:**  
CITY OF ADDISON BENCHMARK NO. 13: SQUARE CUT ON THE BACK OF CURB AT THE CENTER OF AN INLET AT THE SOUTHEAST CORNER OF BELTLINE ROAD AND SURVEYOR BOULEVARD. ELEVATION = 594.94'  
CITY OF ADDISON BENCHMARK NO. 18: SQUARE CUT ON COSERV ELECTRIC VAULT AT THE NORTHEAST CORNER OF BELTLINE ROAD AND MIDWAY ROAD. ELEVATION = 627.93'