

No.	Date	REVISIONS

ASBURY CIRCLE

ADDISON, TX

DAVID C. BALDWIN
INCORPORATED

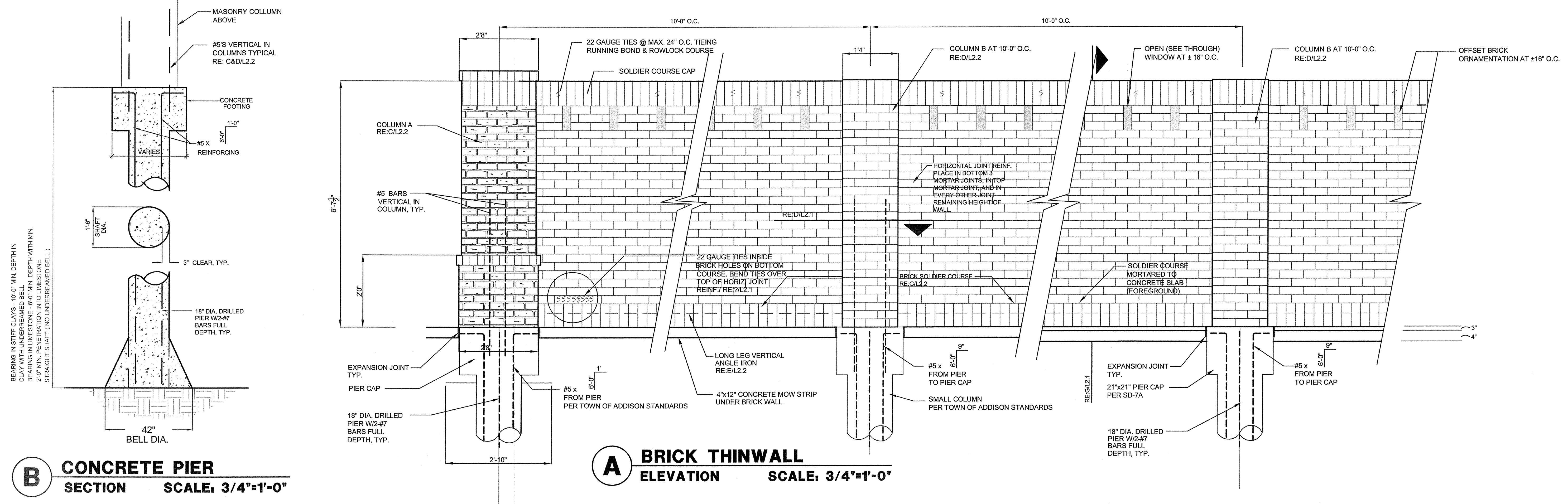


LANDSCAPE
ARCHITECTURE
PLANNING
730 EAST PARK BOULEVARD
SUITE 100 PLANO, TX 75074

TEL: (972) 509-1266
FAX: (972) 509-1269

Sheet Title:
HARDSCAPE
DETAILS

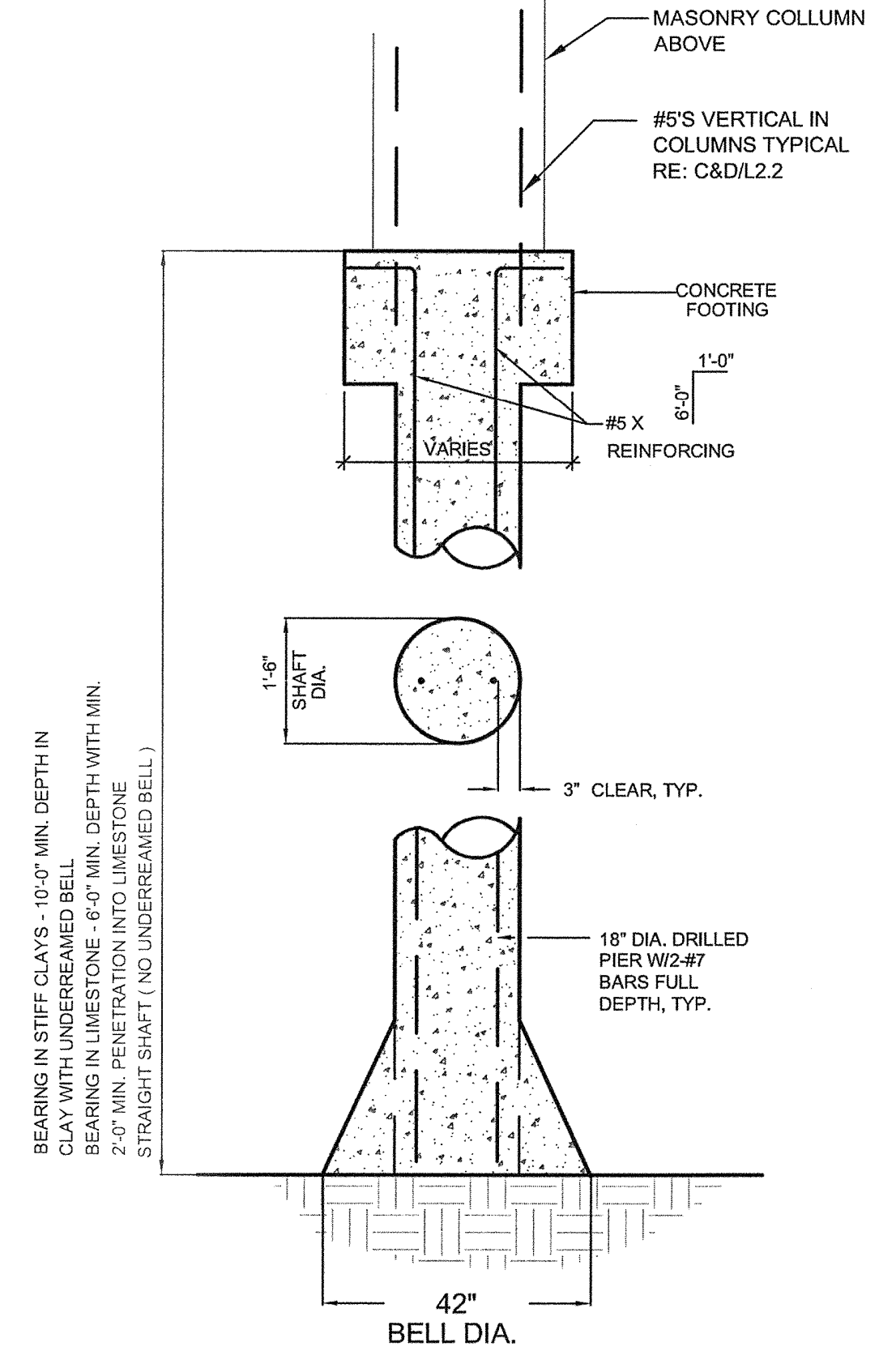
Proj. No.:
Date: 1 OCT 07
Drawn: BJL
Checked: RRM
Approved: DCB
sheet number
L2.3
of sheets



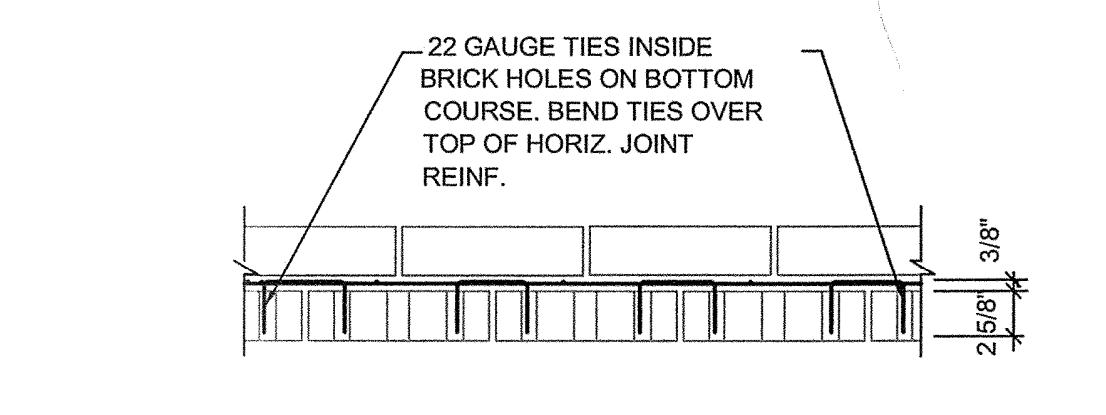
A BRICK THINWALL ELEVATION
SCALE: 3/4"=1'-0"

B CONCRETE PIER SECTION
SCALE: 3/4"=1'-0"

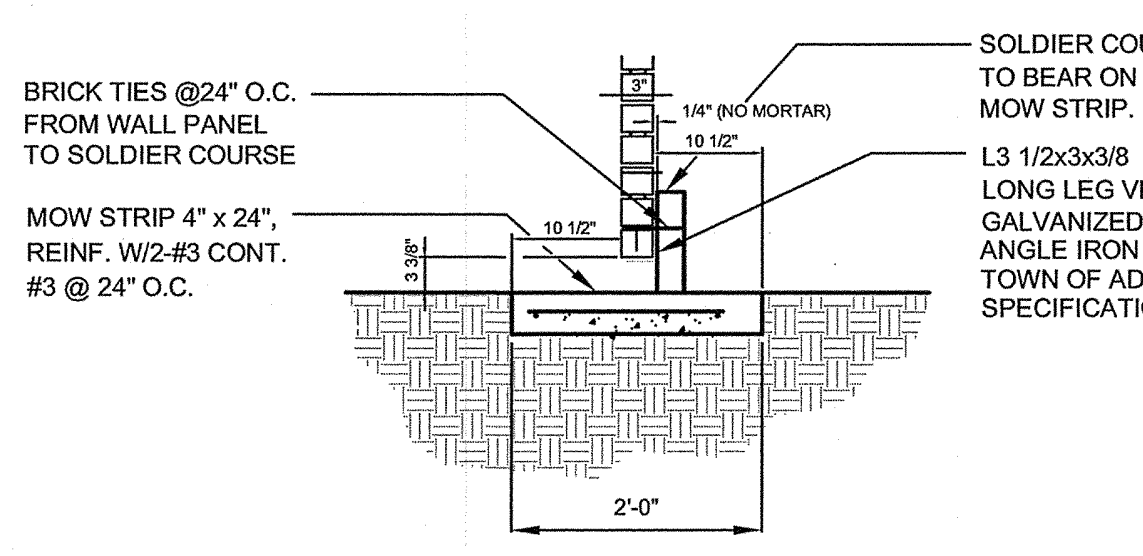
BEARING IN STIFF CLAYS - 10'-0" MIN. DEPTH IN CLAY WITH UNDERREAMED BELL
BEARING IN LIMESTONE - 6'-0" MIN. DEPTH WITH MIN. 2'-0" MIN. PENETRATION INTO LIMESTONE
STRAIGHT SHAFT (NO UNDERREAMED BELL)



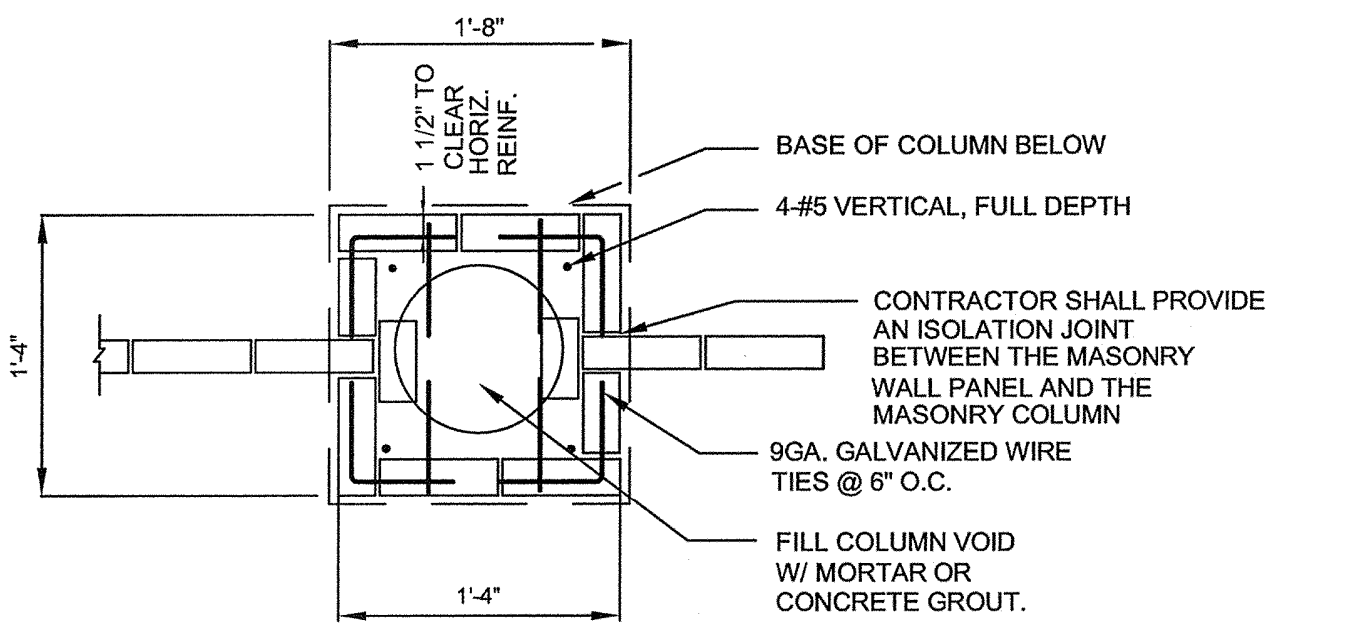
F BOTTOM JOINT REINF.
SCALE 1 1/2" = 1'-0"



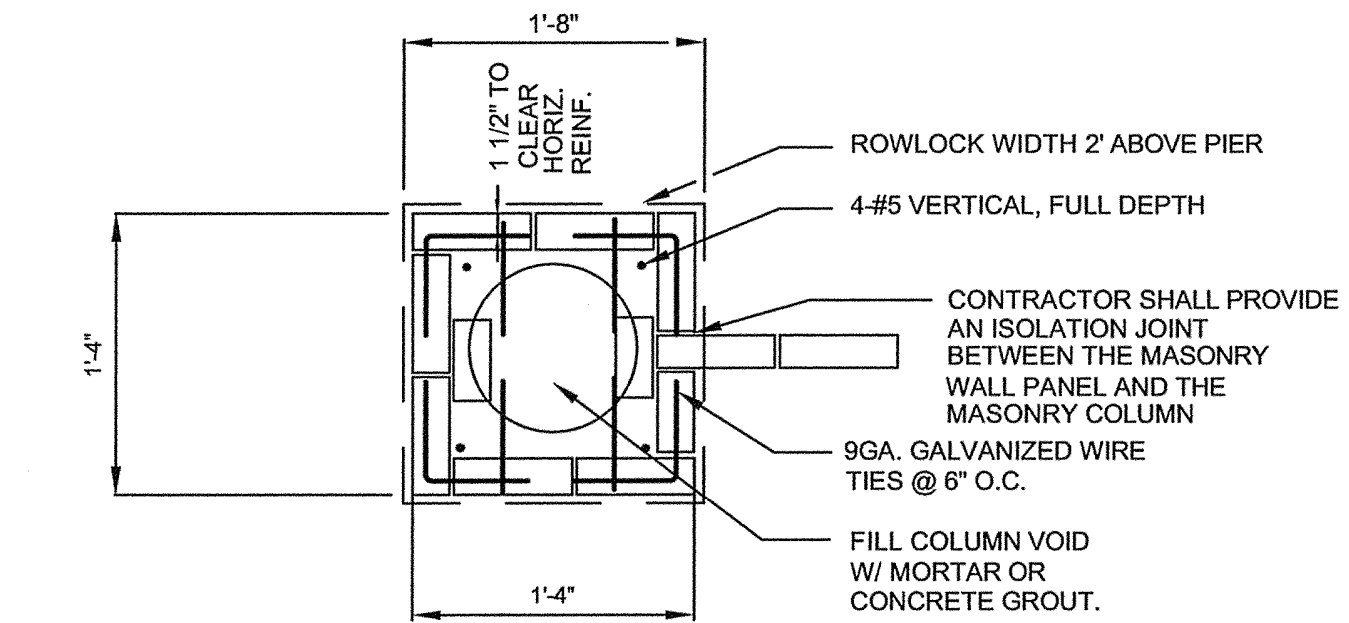
E ANGLE IRON
SCALE: 3/4"=1'-0"



D SINGLEWALL BRICK COLUMN B
SCALE: 3/4"=1'-0"



C SINGLEWALL BRICK COLUMN A
SCALE: 3/4"=1'-0"



G SINGLEWALL PANEL SECTION
SCALE: 3/4"=1'-0"

