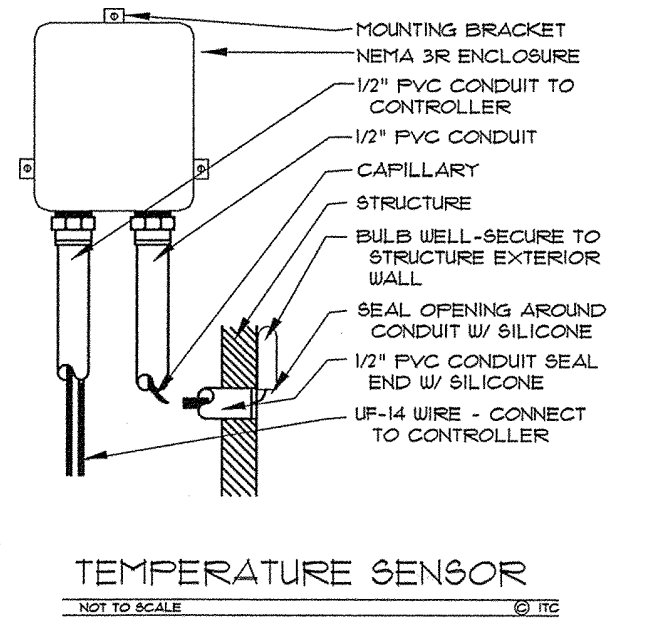
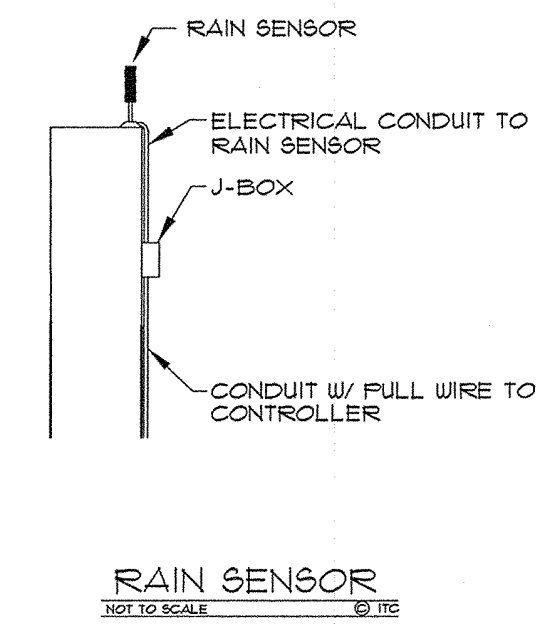


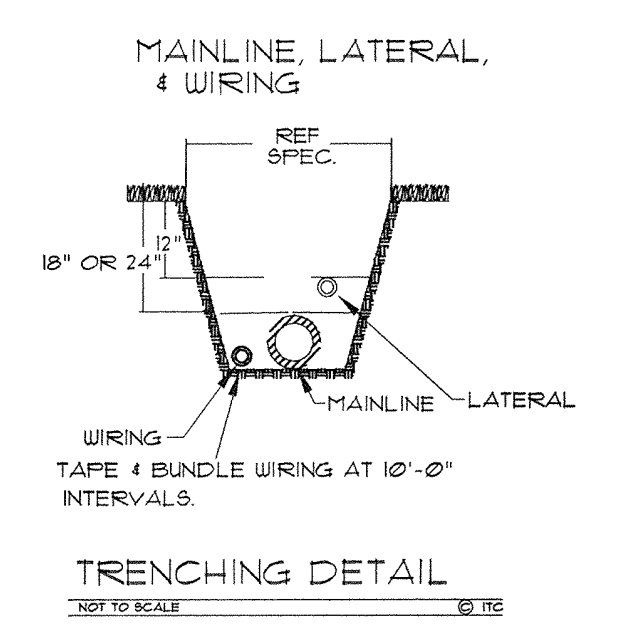
WALLMOUNT CONTROLLER
NOT TO SCALE 02/15



TEMPERATURE SENSOR
NOT TO SCALE 02/15



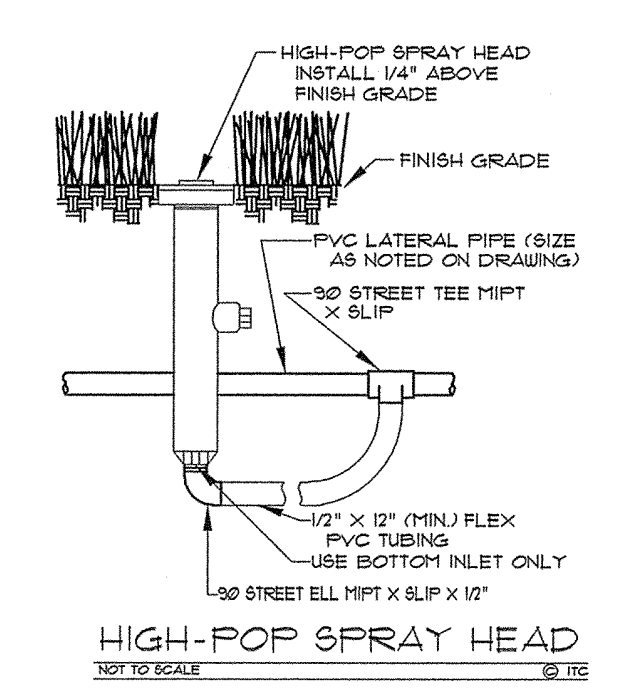
RAIN SENSOR
NOT TO SCALE 02/15



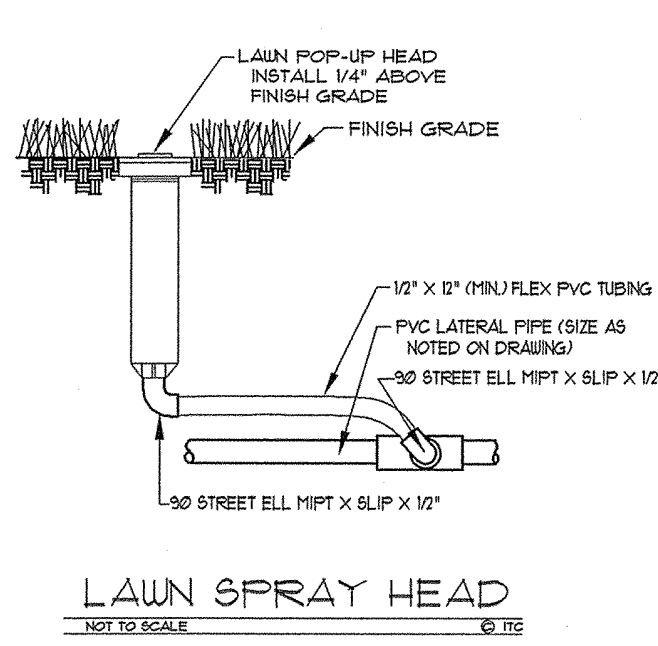
TRENCHING DETAIL
NOT TO SCALE 02/15

NOTES:

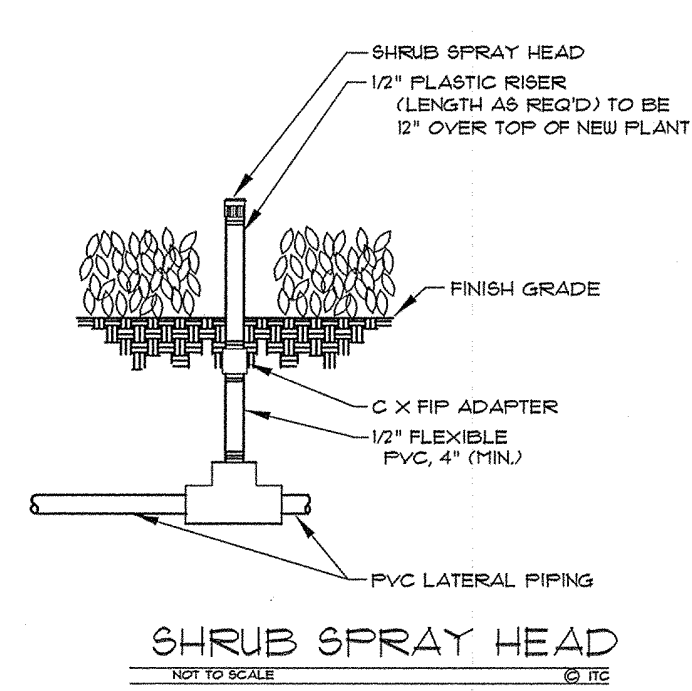
1. ALL 24 VOLT LEAD AND COMMON VALVE WIRING SHALL BE A MINIMUM OF UF-14 GA. SINGLE CONDUCTOR. REFER TO MANUFACTURER'S RECOMMENDATIONS FOR PROPER WIRE SIZE. WIRE SPLICES SHALL BE PERMANENT AND WATERPROOF.
2. COORDINATE INSTALLATION OF IRRIGATION SYSTEM WITH LANDSCAPE CONTRACTOR TO ENSURE ALL PLANT MATERIAL WILL BE WATERED IN ACCORDANCE WITH THE INTENT OF THE PLANS AND SPECIFICATIONS.
3. LATERAL PIPING SHALL HAVE A MINIMUM OF 12" OF COVER. MAINLINE AND PIPING UNDER PAVING SHALL HAVE A MINIMUM OF 18" OF COVER. USE WELD-ON #105 SOLVENT AND #P-68 PRIMER FOR PVC CONNECTIONS.
4. PIPING AND VALVES IN PAVING SHOWN FOR CLARITY, INSTALL IN ADJACENT PLANTING BED OR LAWN AREA.
5. CONNECT LAWN AND HIGH-POP SPRAY HEADS TO LATERAL PIPING WITH 1/2" FLEXIBLE PVC AND 1/2" SCH. 40 PVC FITTINGS AS REQUIRED, PER DETAIL SHOWN. USE WELD-ON #195 SOLVENT AND #P-68 PRIMER ON THESE CONNECTIONS.
6. CONNECT ROTARY HEADS TO LATERAL PIPE WITH LASCO "UNITIZED", O-RING SWING JOINTS PER DETAIL SHOWN, #T122-212.
7. INSTALL QUICK COUPLING VALVES IN TEN (10") INCH ARMOR (AMETEK) VALVE BOX PER DETAIL SHOWN. CONNECT QUICK COUPLING VALVES TO MAINLINE PIPE WITH LASCO "UNITIZED", O-RING SWING JOINTS PER DETAIL SHOWN, #T122-212. SUPPLY OWNER WITH THREE (3) COUPLER KEYS WITH SWIVEL HOSE BIBB EACH, #3DK-10 AND #9H-0 RESPECTIVELY. VALVES TO BE INSTALLED SO THAT TOP OF QUICK COUPLER IS 2" BELOW BOTTOM OF VALVE BOX TOP.
8. INSTALL REMOTE CONTROL VALVES IN TEN (10") INCH ARMOR (AMETEK) VALVE BOXES PER DETAIL SHOWN.
9. PERFORM ELECTRICAL WORK IN ACCORDANCE WITH LOCAL BUILDING CODE. POWER (120V) SHALL BE LOCATED IN A JUNCTION BOX WITHIN FIVE (5') FEET OF CONTROLLER LOCATION BY OTHER TRADES.
10. SLEEVES SHALL BE CLASS 200 PVC, SIZED AS NOTED ON PLANS AND INSTALLED BY OTHER TRADES.
11. ROUTE COMMON WIRE FROM CONTROLLER TO REMOTE SENSORS IN SERIES PRIOR TO CONNECTING TO REMOTE CONTROL VALVES.
12. CONTRACTOR TO INSTALL AND ADJUST VAN SERIES NOZZLES FOR SITUATIONS THAT REQUIRE LESS THAN 90 DEGREE RADIUS SPRAY.
13. TEN DAYS PRIOR TO START OF CONSTRUCTION, VERIFY STATIC PRESSURE. IF STATIC PRESSURE IS LESS THAN 70.0 PSI, DO NOT START WORK UNTIL NOTIFIED TO PROCEED BY OWNER. DESIGN PRESSURE IS 63.9 PSI.
14. MINIMUM DISTANCE BETWEEN MAIN LINE AND LATERAL LINE FITTINGS (EXCEPT FOR REDUCER BUSHINGS) TO BE 18".
15. MINIMUM HORIZONTAL DISTANCE OF 36" TO BE MAINTAINED BETWEEN ANY VALVES THAT ARE INSTALLED SIDE BY SIDE.



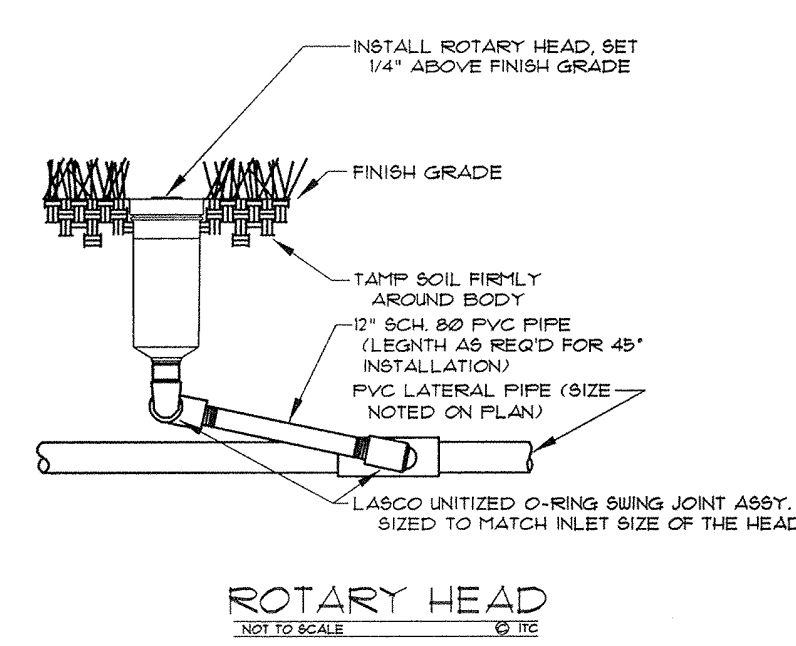
HIGH-POP SPRAY HEAD
NOT TO SCALE 02/15



LAWN SPRAY HEAD
NOT TO SCALE 02/15



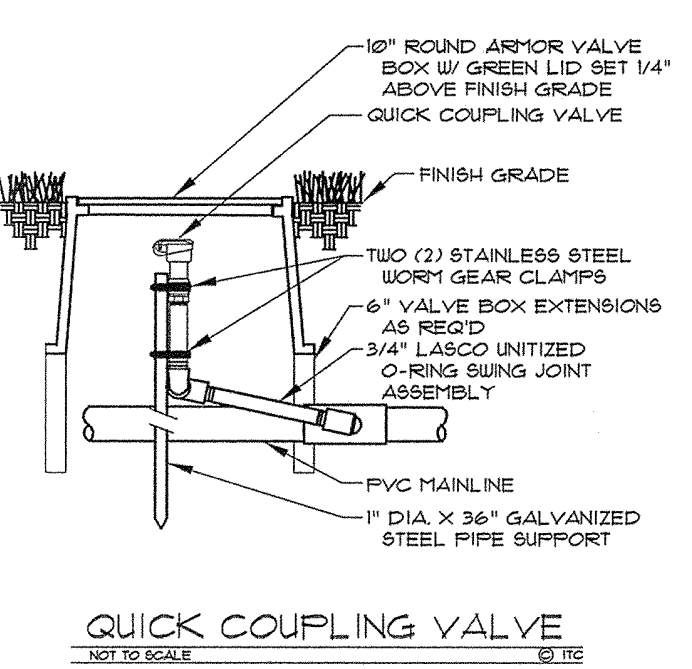
SHRUB SPRAY HEAD
NOT TO SCALE 02/15



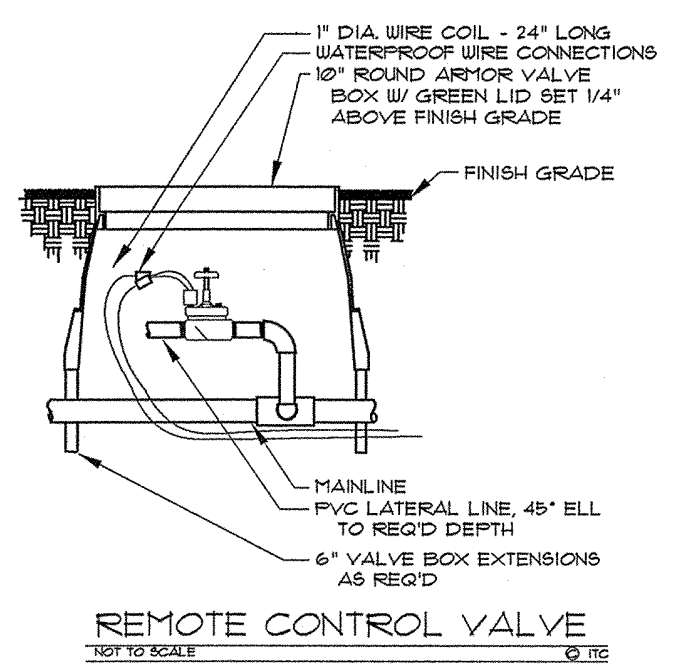
ROTARY HEAD
NOT TO SCALE 02/15

IRRIGATION LEGEND:

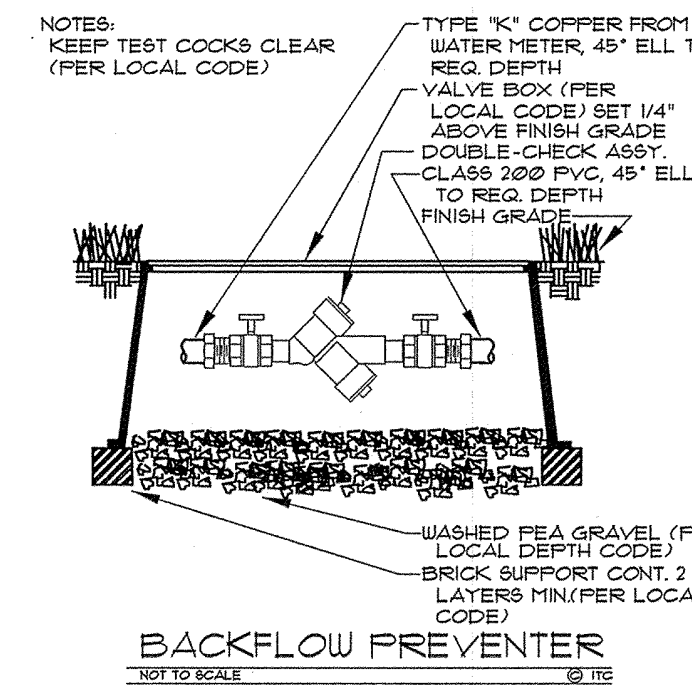
SYMBOL	DESCRIPTION	MANUFACTURER	MODEL NO.
●	LAWN SPRAY HEAD	RAINBIRD	1824 W/ 15F, 15H, OR 15Q MPR PLASTIC NOZZLES UNLESS NOTED OTHERWISE
⊗	HIGH-POP SPRAY HEAD	RAINBIRD	1812 W/ 15F, 15H, OR 15Q MPR PLASTIC NOZZLES UNLESS NOTED OTHERWISE
○	SHRUB SPRAY HEAD	RAINBIRD	PA-85 ADAPTER W/ 15F, 15H, OR 15Q MPR PLASTIC NOZZLES UNLESS NOTED OTHERWISE
■	LAWN CENTER STRIP HEAD	RAINBIRD	1824 W/ #5CST NOZZLE
□	LAWN END STRIP HEAD	RAINBIRD	1824 W/ #5EST NOZZLE
⊠	HIGH-POP CENTER STRIP HEAD	RAINBIRD	1812 W/ #5CST NOZZLE
⊡	HIGH-POP END STRIP HEAD	RAINBIRD	1812 W/ #5EST NOZZLE
⊙	SMALL ROTARY PART-CIRCLE	HUNTER	PGP W/ #1 NOZZLE
⊕	SMALL ROTARY FULL-CIRCLE	HUNTER	PGP W/ #10 NOZZLE
⊖	ROTARY PART-CIRCLE	HUNTER	PGP W/ #10 NOZZLE
⊗	ROTARY FULL-CIRCLE	HUNTER	PGP W/ #12 NOZZLE
▲	QUICK COUPLING VALVE	RAINBIRD	3RC
⊕	REMOTE CONTROL VALVE	RAINBIRD	PEB SERIES W/ EASY RAIN CONTROLLER REFER TO PLAN FOR SIZE
⊖	REMOTE CONTROL VALVE	RAINBIRD	PEB SERIES, REFER TO PLAN FOR SIZE
●	GATE VALVE (3" AND SMALLER)	NIBCO	#T-113 - LINE SIZE
■	CONTROLLER	RAINBIRD	ESP-MC SERIES W/ MINI-CLIK RAIN AND FREEZE SENSOR
—	MAINLINE PIPING	REFER TO SPEC.	CLASS 200 PVC
—	LATERAL PIPING	REFER TO SPEC.	3/4" & LARGER - CLASS 200 PVC 1/2" - CLASS 315 PVC
NN	BACKFLOW PREVENTER	FEBCO	#550Y
⊕	WATER METER	REFER TO SPEC.	PER LOCAL BUILDING CODE
□	STATION NUMBER		
□	VALVE SIZE		
□	GPM (APPROX.)		



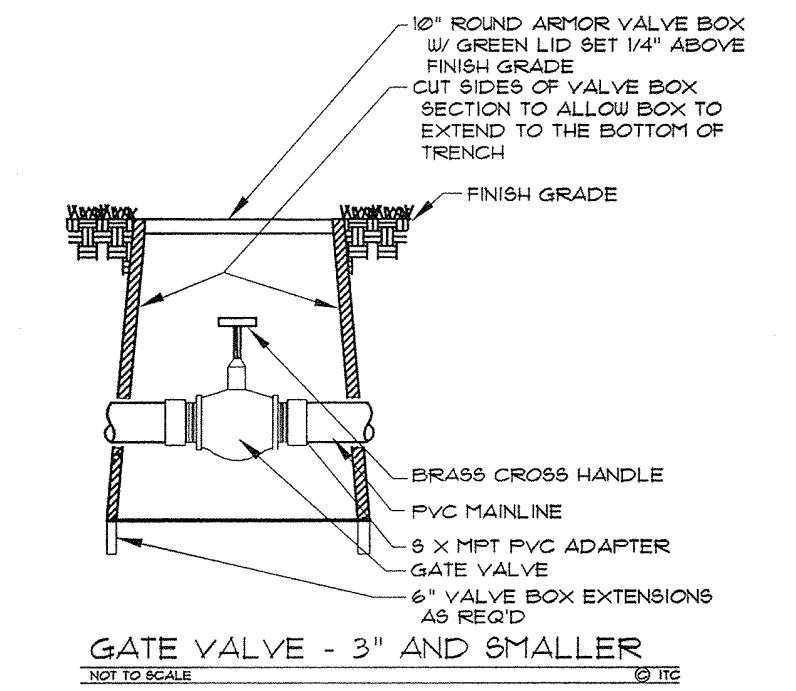
QUICK COUPLING VALVE
NOT TO SCALE 02/15



REMOTE CONTROL VALVE
NOT TO SCALE 02/15



BACKFLOW PREVENTER
NOT TO SCALE 02/15



GATE VALVE - 3" AND SMALLER
NOT TO SCALE 02/15

ASBURY CIRCLE
ADDISON, TX

DAVID C. BALDWIN
INCORPORATED



LANDSCAPE ARCHITECTURE PLANNING
730 EAST PARK BOULEVARD
SUITE 100 PLANO, TX 75074
TEL: (972) 509-1266
FAX: (972) 509-1269

IRRI*TECH

12650 SCHROEDER RD.
DALLAS, TEXAS 75243
TEL: (972) 231-5151
FAX: (972) 231-5172

Sheet Title:
IRRIGATION DETAILS

Proj. No.: 07087
Date: 1 OCT 07
Drawn: SAH
Checked: SAH
Approved: ITC
sheet number
of **L4.4** sheets