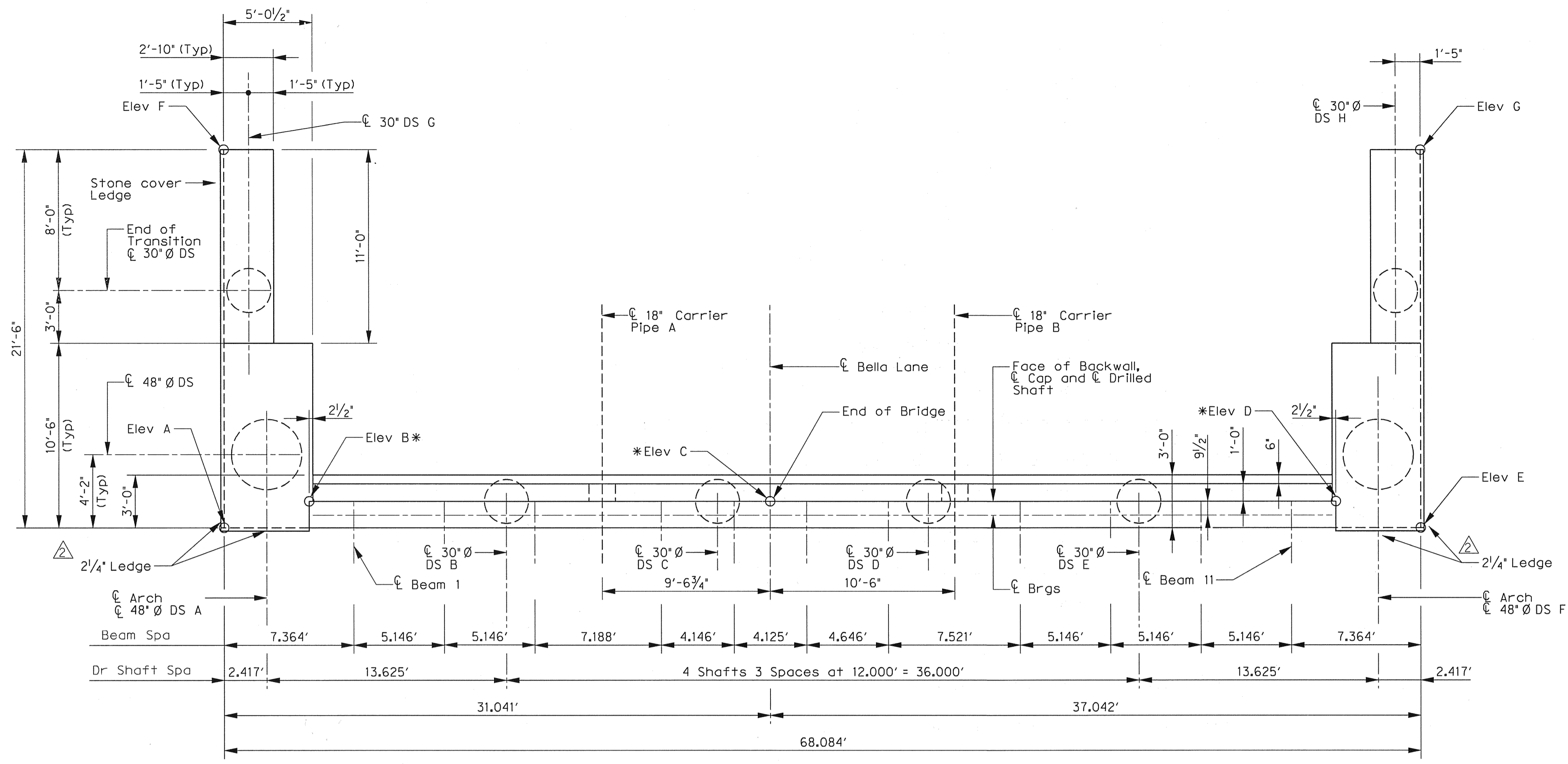
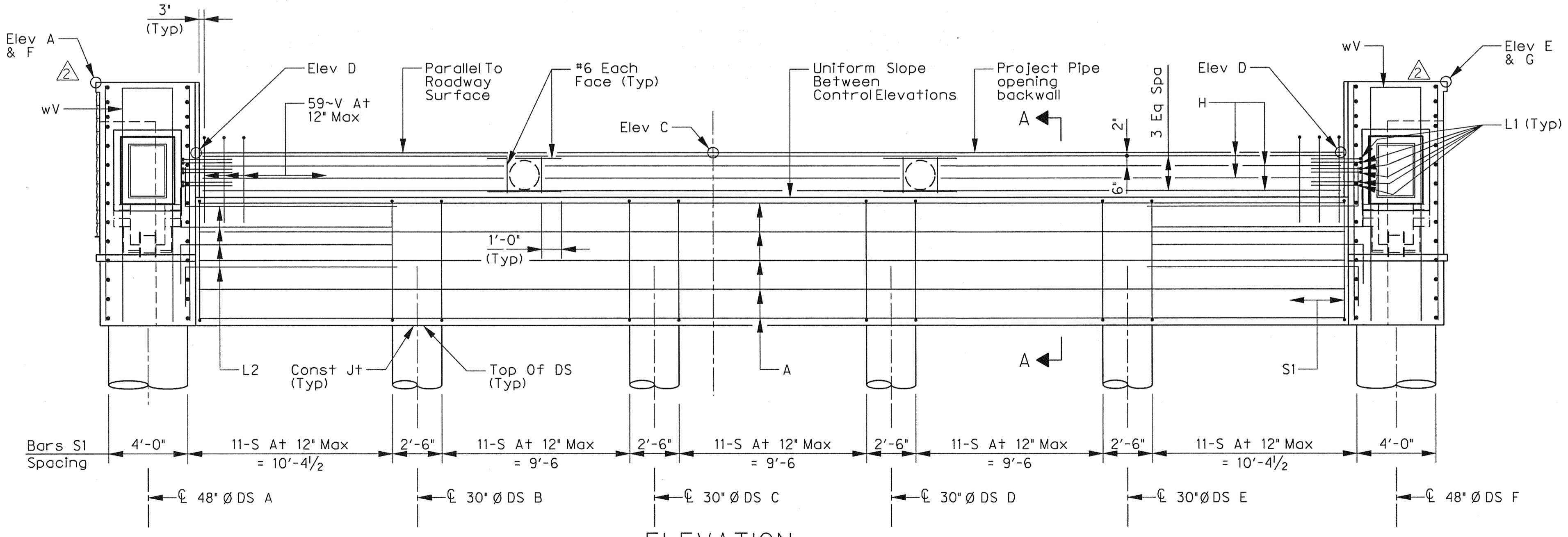


DATE: 5/24/2010 TIME: 4:15:49 PM FILE: 27379-SC-BELLABL-AB01-02.dgn PROJECT # 27379 OFFICE: RCH USER: ch2481



PLAN
SCALE: 1/4" = 1'-0"
*Denotes elevation taken at top, frontface of backwall along centerline of abutment.



ELEVATION
SCALE: 1/4" = 1'-0"

Note: For information not shown see Section A-A/S2-07

CONTROL ELEVATIONS

Abutment	Station	Top of Abutment							Top of Drilled Shafts							
		Elev A	Elev B	Elev C	Elev D	Elev E	Elev F	Elev G	DS A	DS B	DS C	DS D	DS E	DS F	DS G	DS H
4	29+99.50	563.74	560.21	560.74	560.21	563.84	561.91	562.00	551.37	551.67	551.91	551.79	551.55	551.25	551.16	551.16

BAR SCHEDULE ~ ONE CAP

Bar	Type	No.	Size	Length	Weight	
A	S+	28	#11	58'-1"	8,641	
H	S+	8	#6	57'-8"	693	
L1	B+	12	#6	5'-0"	91	
L2	B+	24	#6	12'-6"	451	
S1	B+	55	#5	18'-2"	1,043	
V	B+	59	#5	9'-2 1/2"	567	
wH1	S+	22	#6	21'-2"	700	
wH2	S+	38	#6	10'-2"	581	
wH3	S+	22	#6	10'-8"	353	
wU	B+	26	#8	26'-2 1/2"	1,820	
wV1	S+	24	#8	11'-8 3/4"	752	
wV2	S+	24	#6	9'-8 3/4"	351	
wZ	B+	22	#6	6'-2 1/2"	206	
Total Reinforcing Steel					LB	16,250
C/C Conc (Abut)					CY	47.9
C/C Conc (Mass Placement)					CY	72.5

ESTIMATED QUANTITIES

Item	Unit	QUANTITY
Drilled Shaft (48 IN)	FT	44
Drilled Shaft (30 IN)	FT	150
C/C Conc (Abut)	CY	47.9
C/C Conc (Mass Placement)	CY	72.5
Reinf Steel	LB	16,250
Sidewalk Drain Pipe (4")	LF	70

- ① For contractor's information only.
- ② Sidewalk drains are subsidiary to Item 420.



THE SEAL APPEARING ON THIS DOCUMENT WAS AUTHORIZED BY ERIC S. CHRISTIANSEN, P.E. #85412 ON 05-24-2010. ALTERATION OF A SEALED DOCUMENT WITHOUT PROPER NOTIFICATION TO THE RESPONSIBLE ENGINEER IS AN OFFENSE UNDER THE TEXAS ENGINEERING PRACTICE ACT. THE RECORD COPY OF THIS DRAWING IS ON FILE AT THE OFFICES OF HALFF ASSOCIATES, 1201 NORTH BOWSER ROAD, RICHARDSON, TEXAS, 75081, TYPE FIRM #F-312.

ADDENDUM #3	ESC	05/24/10
ADDENDUM #2	ESC	05/19/10
NO.	REVISION	BY DATE
ADDISON TOWN OF ADDISON DALLAS COUNTY, TEXAS		
VITRUVIAN PARK BRIDGES BELLA LANE		
ABUTMENT NO. 4 PLAN AND ELEVATION		
HALFF 1201 NORTH BOWSER ROAD, RICHARDSON, TEXAS 75081-2275 TEL (214) 346-6200 FAX (214) 739-0095		
PROJECT	DESIGN	DRAWN
DATE	FILE	SHEET
27379	ESC	AHH
APRIL 2010	-	S2-05