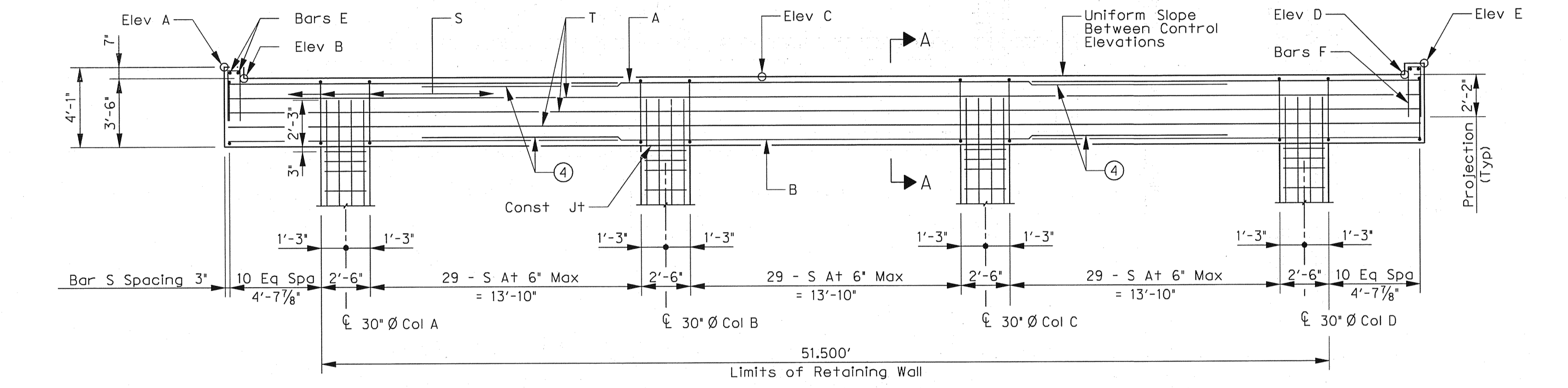
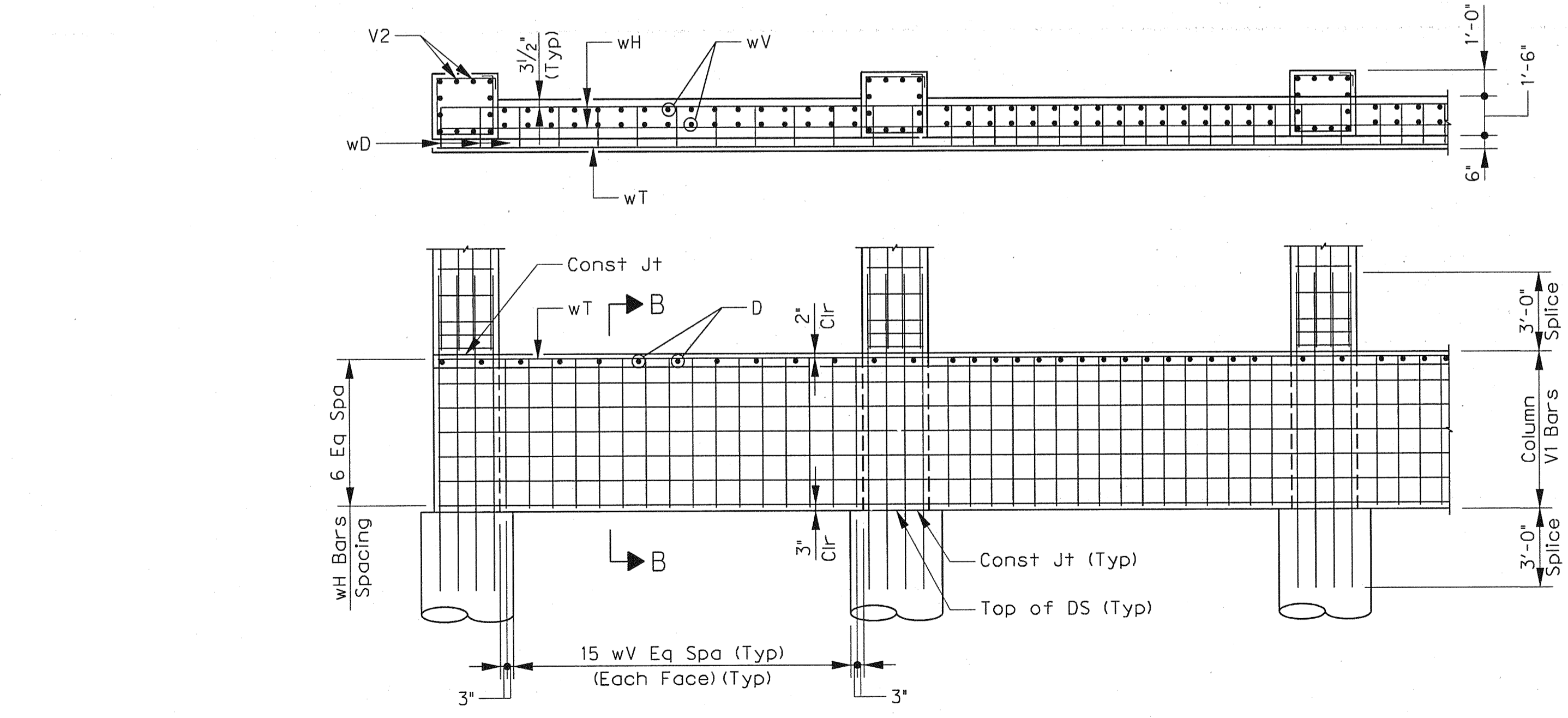


PLAN
SCALE: 1/4" = 1'-0"



ELEVATION
SCALE: 1/4" = 1'-0"



SECTION A-A
SCALE: 1/2" = 1'-0"

BAR SCHEDULE ~ ONE CAP

Bar	Type	No.	Size	Length	Weight
A	S+	6	#11	70'-10"	2,259
B	S+	5	#11	67'-8"	1,798
E	S+	4	#5	2'-5"	11
F	B+	10	#5	6'-1 1/2"	64
S	B+	109	#5	12'-0"	1,365
T	S+	6	#5	66'-1"	414
wD	S+	36	#5	1'-6"	57
wH	S+	14	#7	51'-2"	1,465
wT	S+	1	#5	51'-2"	54
wV	S+	45	#5	5'-7"	263

1	Total Reinforcing Steel	LB	7,750
5	Cl C Conc (Bent)	CY	40.5

COLUMN SCHEDULE ~ ONE COLUMN

*H	Bars V1-12-#8	Bars V2-12-#8	Bars Z-#3 Ties		Reinf Steel	Class C Concrete
FT	Length	Weight	Length	Number	Weight	Weight
13	12'-0"	385	15'-3"	17	62	936
14	12'-0"	385	16'-3"	18	66	972
15	12'-0"	385	17'-3"	19	70	1,008
16	12'-0"	385	18'-3"	20	73	1,043
17	12'-0"	385	19'-3"	21	77	1,079

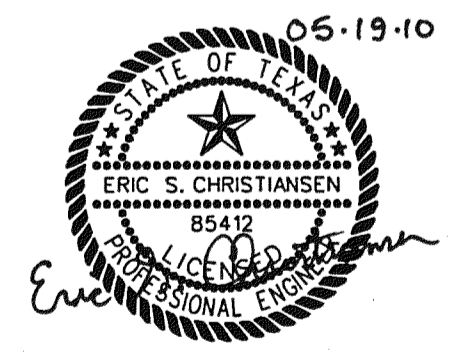
ESTIMATED QUANTITIES

Item	Unit	BENT 2	BENT 3
Drilled Shaft (42 IN)	FT	40	40
Cl C Conc (Bent)	CY	54.4	54.4
Reinf Steel	LB	8,758	8758.0

- 1 For Contractor's information only.
- 2 Do not cast earwalls until beams are erected in their final position.
- 3 Length of bar includes 10'-0" splice length.
- 4 Top splices shall be near midspan and bottom splices near supports. Adjacent bars cannot be spliced at the same location.
- 5 Quantity includes retaining wall

General Notes:

Concrete strength f'c = 3,600 psi.
 The price bid per foot of column shall include the reinforcing extending from the shaft into the cap.
 Spiral steel shall have one extra turn at the top, bottom, and at splices.
 All cap reinforcing shall be grade 60.
 Column and Drilled Shaft reinforcing may be grade 40.
 Cap form supports shall remain in place until the entire cap is ready for form removal.
 Calculated drilled shaft foundation load: 156 Tons per Drilled Shaft



THE SEAL APPEARING ON THIS DOCUMENT WAS AUTHORIZED BY ERIC S. CHRISTIANSEN, P.E. #85412 ON 05-19-2010, ALTERATION OF A SEALED DOCUMENT WITHOUT PRIOR NOTIFICATION TO THE RESPONSIBLE ENGINEER IS AN OFFENSE UNDER THE TEXAS ENGINEERING PRACTICE ACT. THE RECORD COPY OF THIS DRAWING IS ON FILE AT THE OFFICES OF HALFF ASSOCIATES, 1201 NORTH BOWSER ROAD, RICHARDSON, TEXAS, 75081, TBP# FRM #2-312.

Addendum #2	REVISION	ESC	05/19/10
NO.	BY	DATE	
HALFF TOWN OF ADDISON DALLAS COUNTY, TEXAS			
VITRUVIAN PARK BRIDGES BELLA LANE			
BENT No. 2 & 3 PLAN AND ELEVATION			
PROJECT	DESIGN	DRAWN	DATE
27379	ESC	AHH	APRIL 2010
FILE	SHEET		
-	S2-08		

Note: Column tie bars Z not shown in wall for clarity.