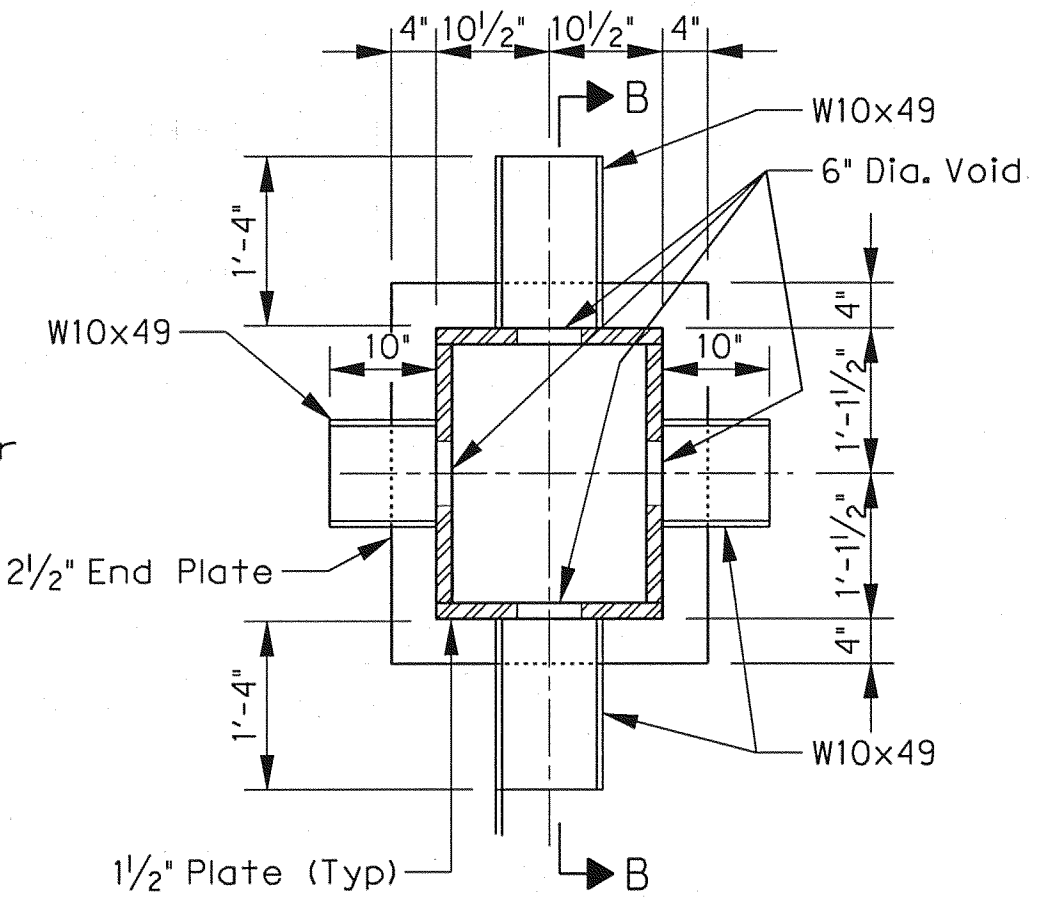
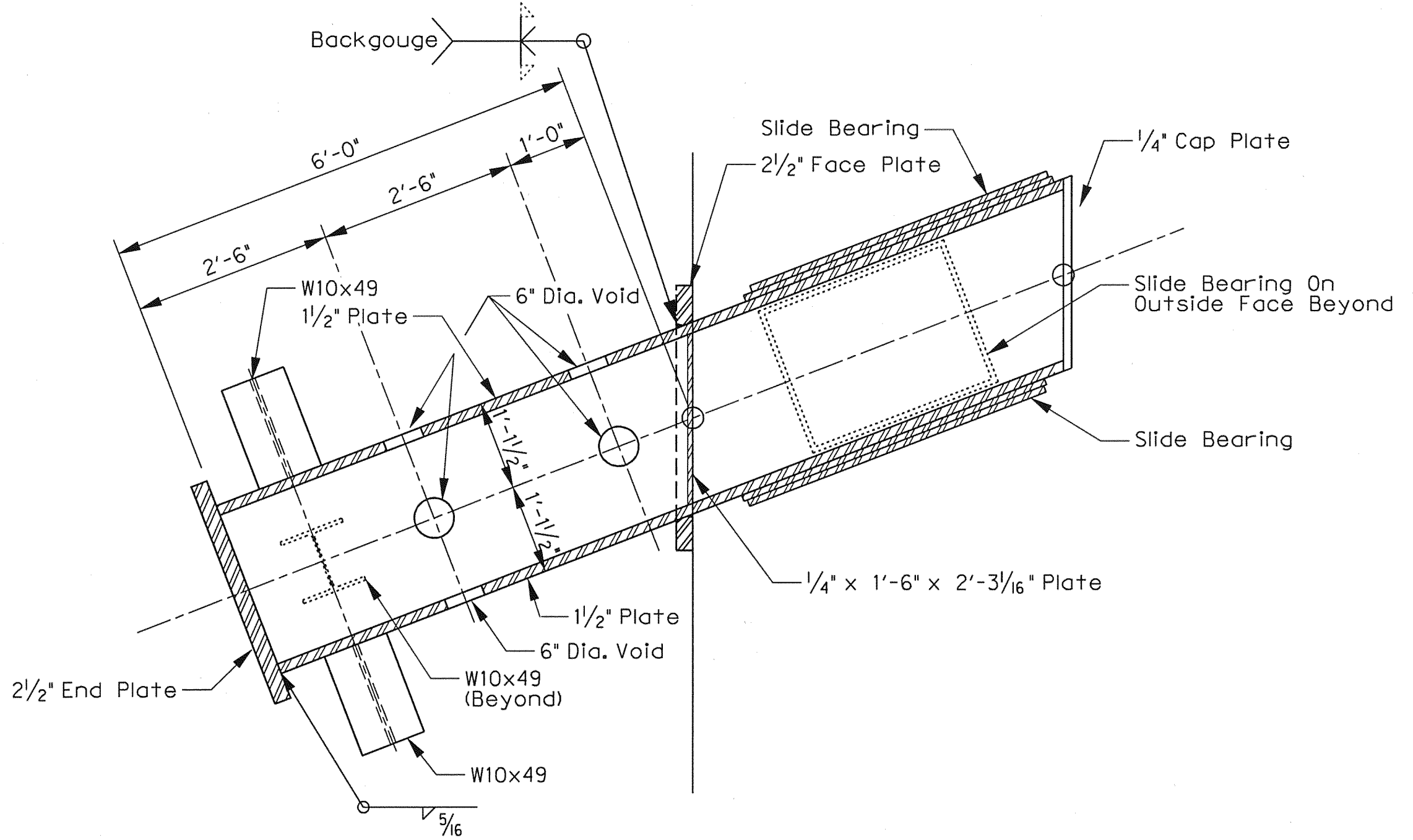


Note:
Slide bearings to be installed
at time of arch erection.

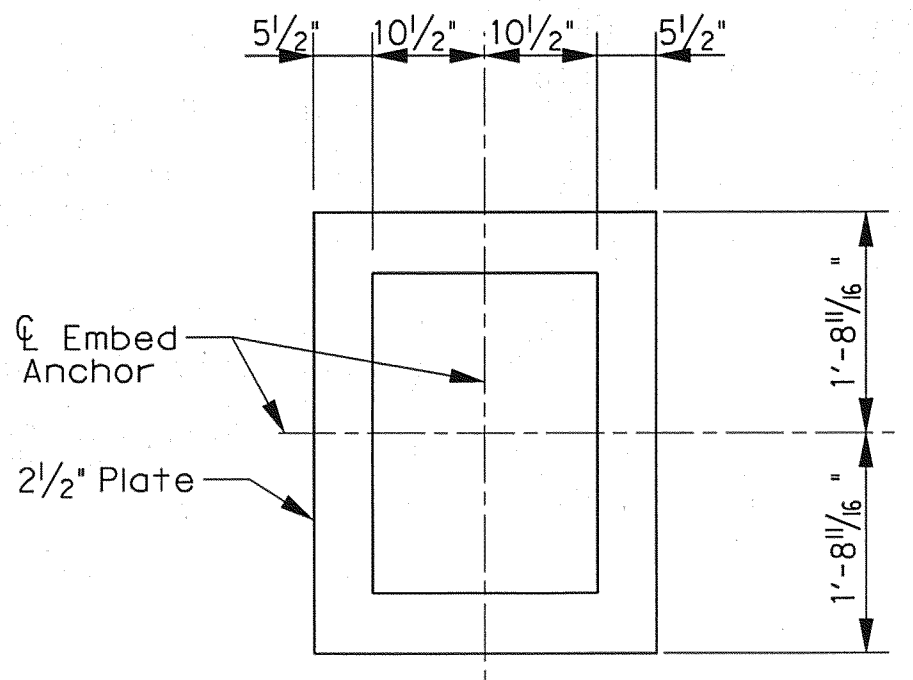
EMBED ANCHOR ELEVATION
SCALE: 3/4" = 1'-0"



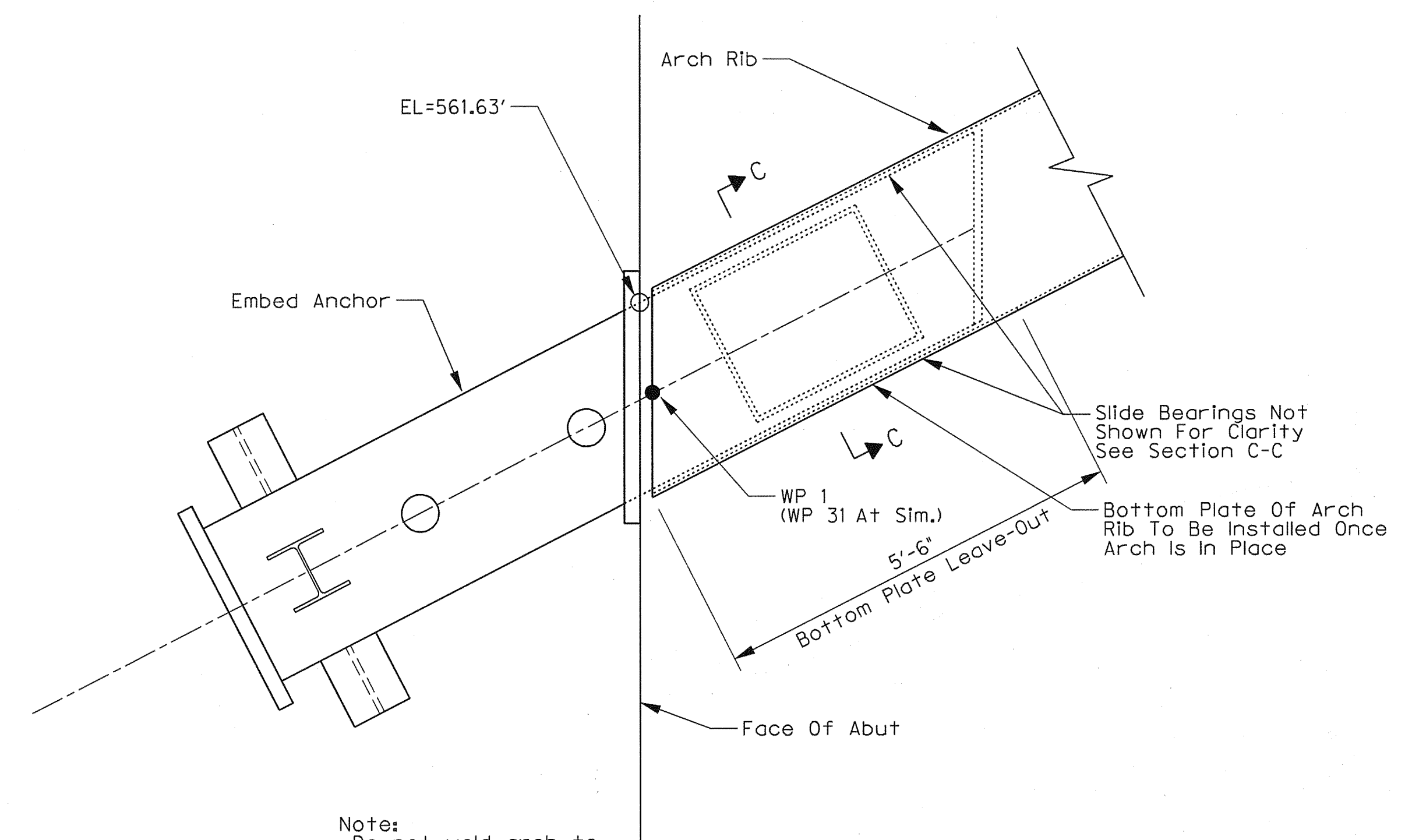
SECTION A-A
SCALE: N.T.S.



SECTION B-B
SCALE: 3/4" = 1'-0"

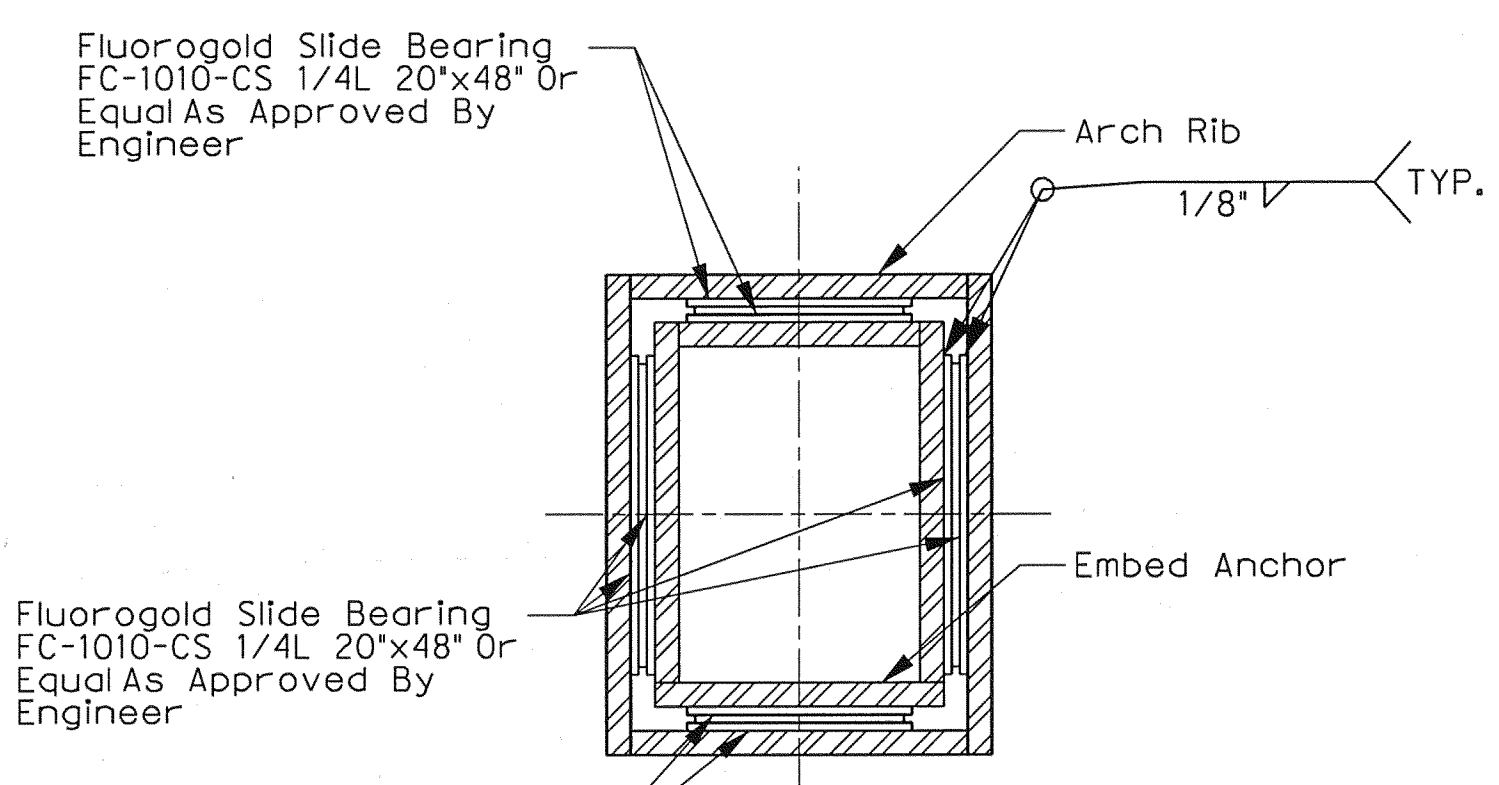


FACE PLATE
SCALE: N.T.S.



Note:
Do not weld arch to
embed anchor.

ARCH / EMBED ANCHOR CONNECTION
SCALE: 3/4" = 1'-0"



SECTION C-C
SCALE: N.T.S.



04-29-10
THE SEAL APPEARING ON THIS DOCUMENT WAS
AUTHORIZED BY ERIC S. CHRISTIANSEN, P.E. #85412
ON 04-29-2010. ALTERATION OF A SEALED DOCUMENT
WITHOUT PROPER NOTIFICATION TO THE RESPONSIBLE
ENGINEER IS AN OFFENSE UNDER THE TEXAS
ENGINEERING PRACTICE ACT. THE RECORD COPY OF
THIS DRAWING IS ON FILE AT THE OFFICES OF HALFF
ASSOCIATES, 1201 NORTH BOWSER ROAD, RICHARDSON,
TEXAS, 75081, TPBE FIRM #F-312.

NO.	REVISION	BY	DATE
TOWN OF ADDISON DALLAS COUNTY, TEXAS VITRUVIAN PARK BRIDGES BELLA LANE EMBED DETAILS			
HALFF 1201 NORTH BOWSER ROAD, RICHARDSON, TEXAS 75081-2275 TEL (214) 346-8200 FAX (214) 739-0095			
PROJECT	DESIGN	DRAWN	DATE
27379	ESC	AHH	APRIL 2010
FILE	SHEET		
-	S2-19		