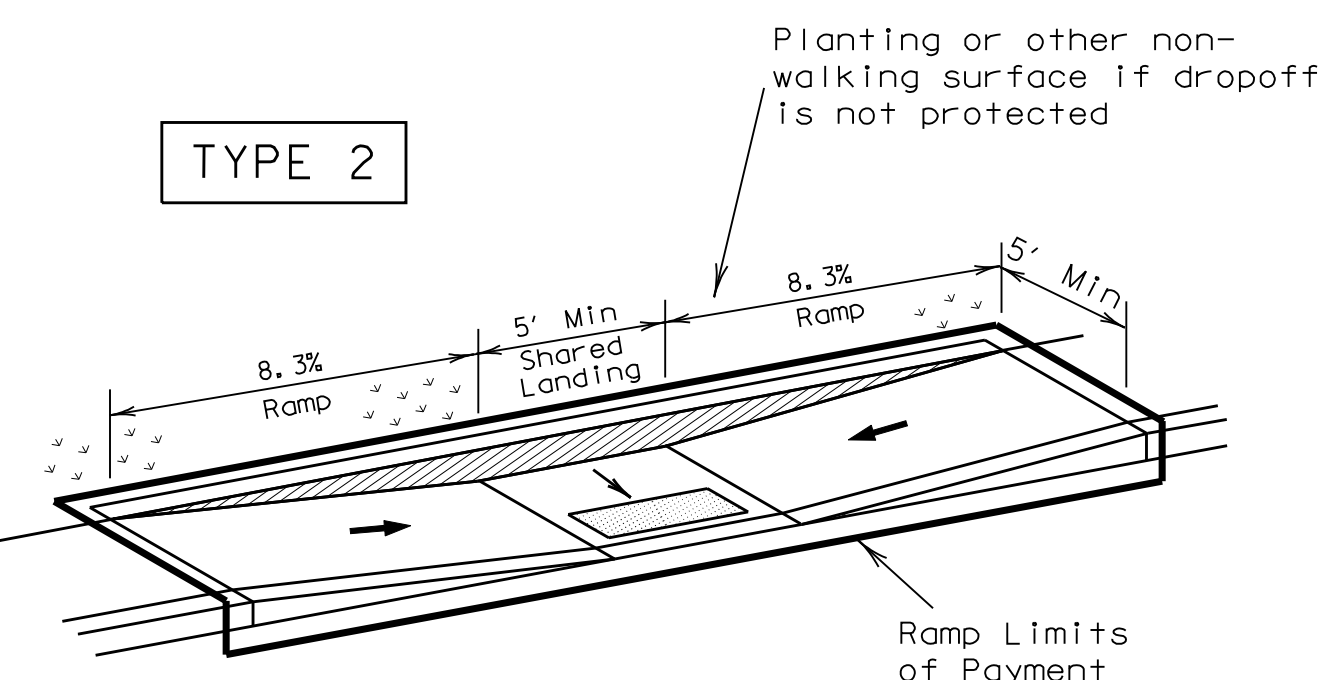
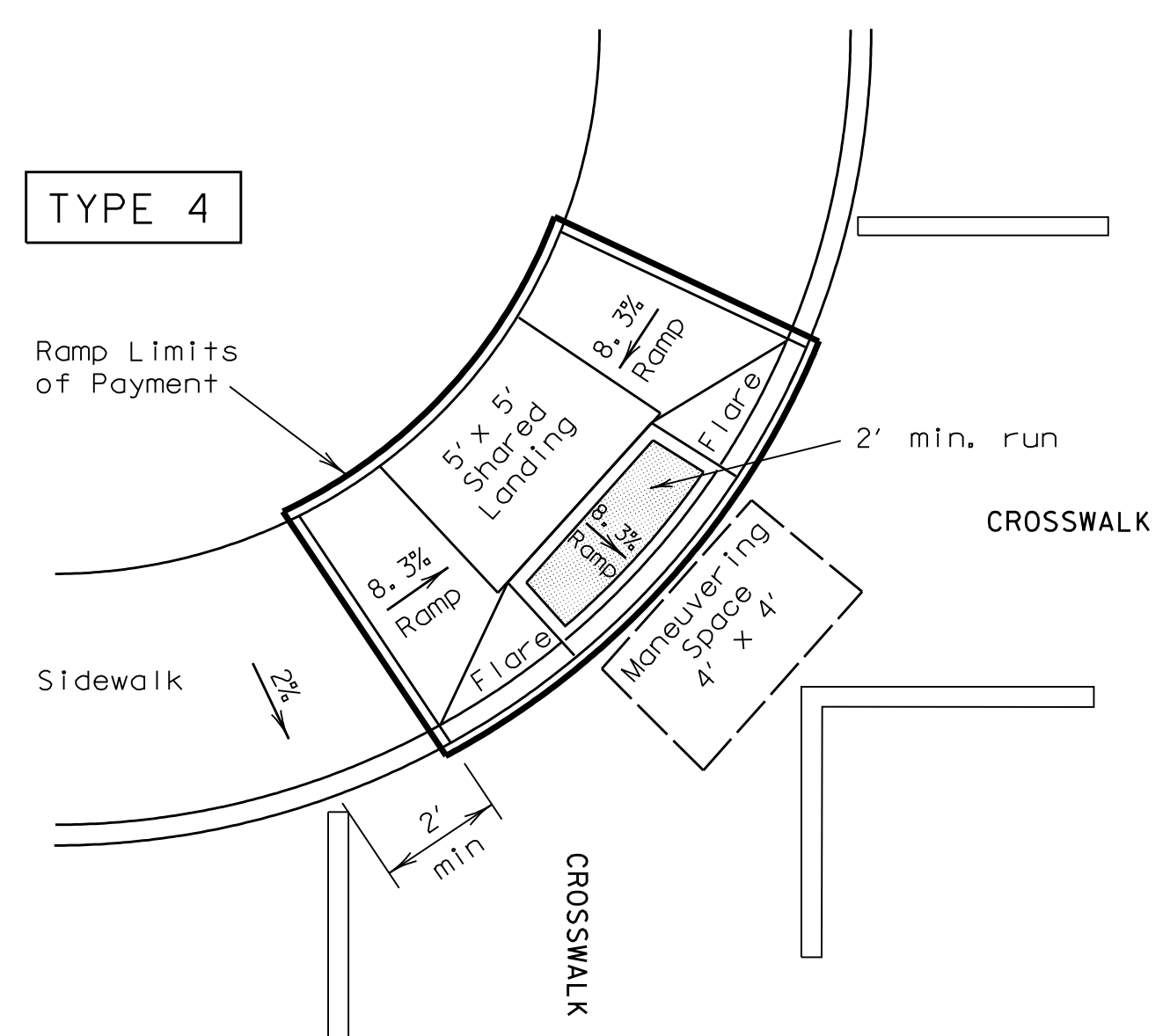


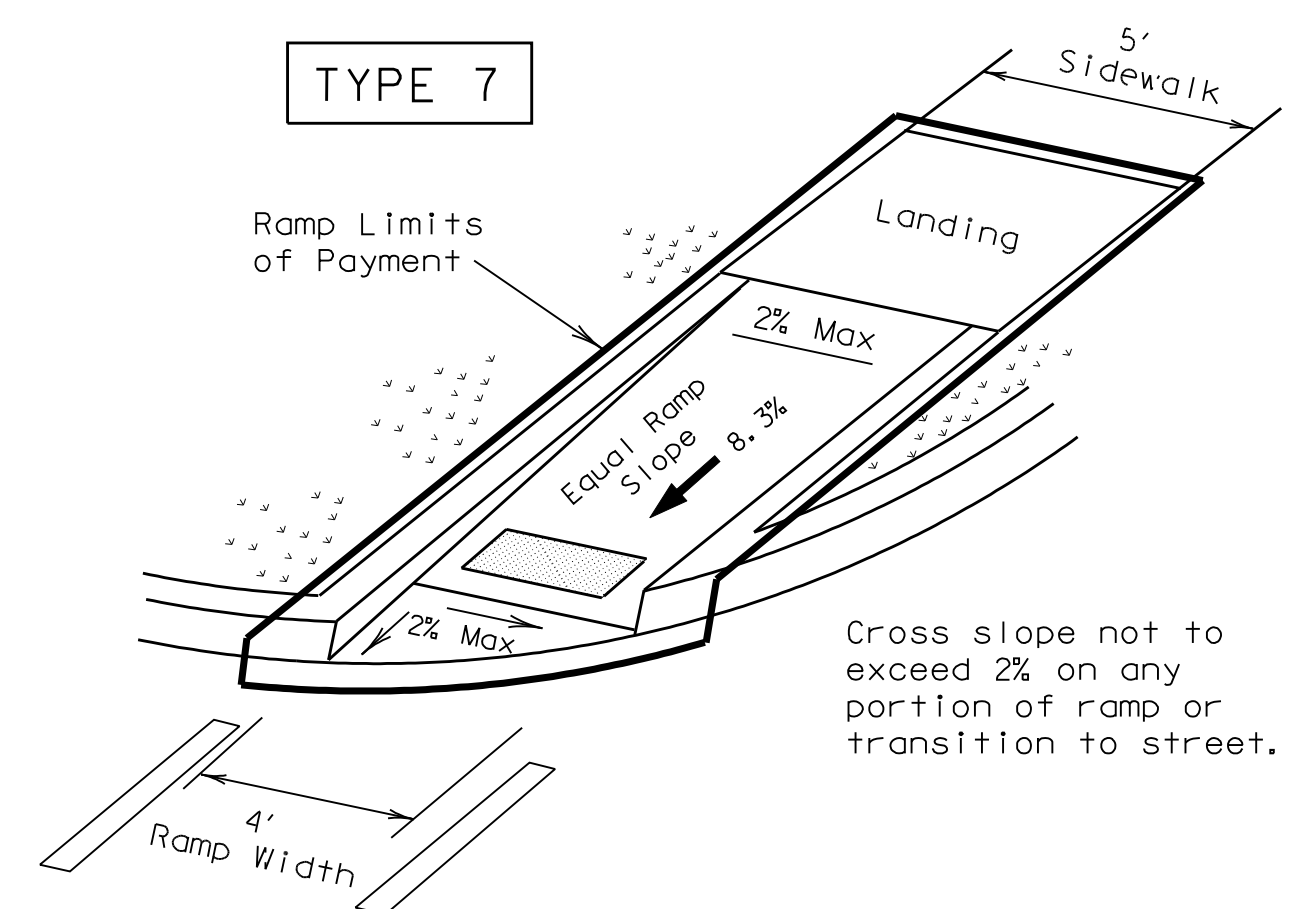
PERPENDICULAR CURB RAMP



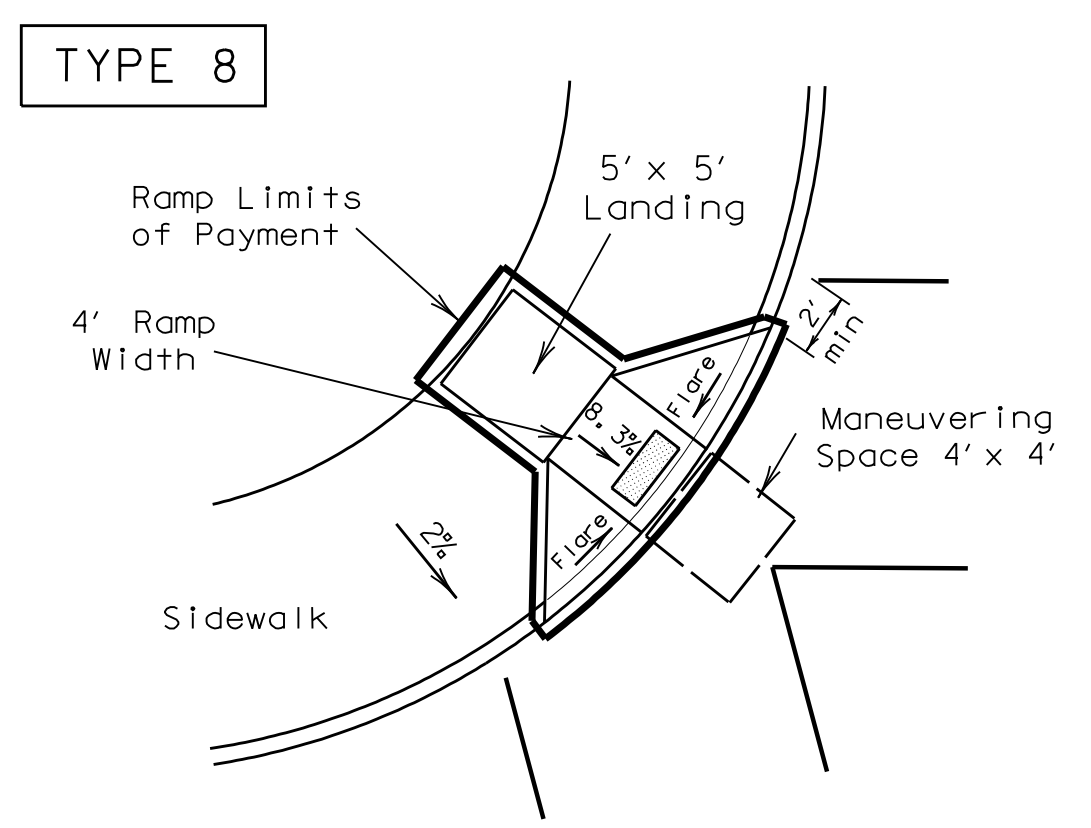
PARALLEL CURB RAMP
(Use only where water will not pond in the landing.)



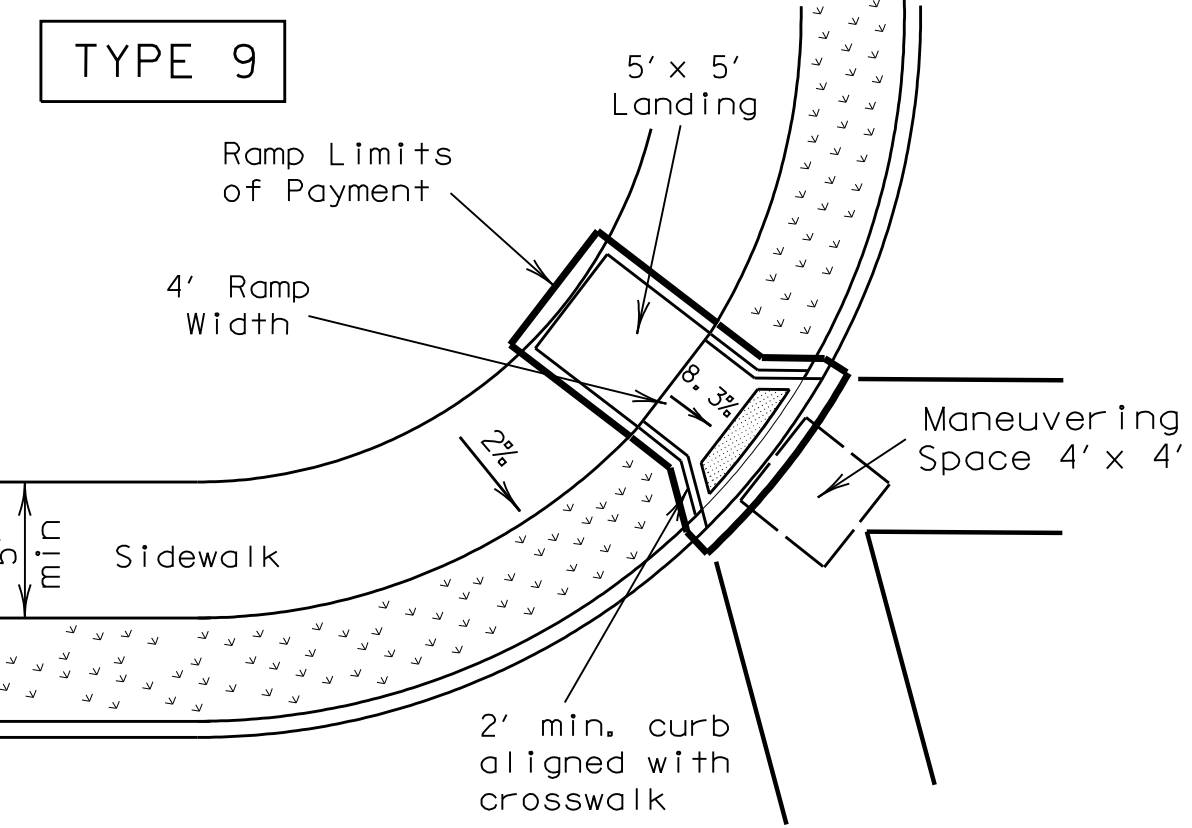
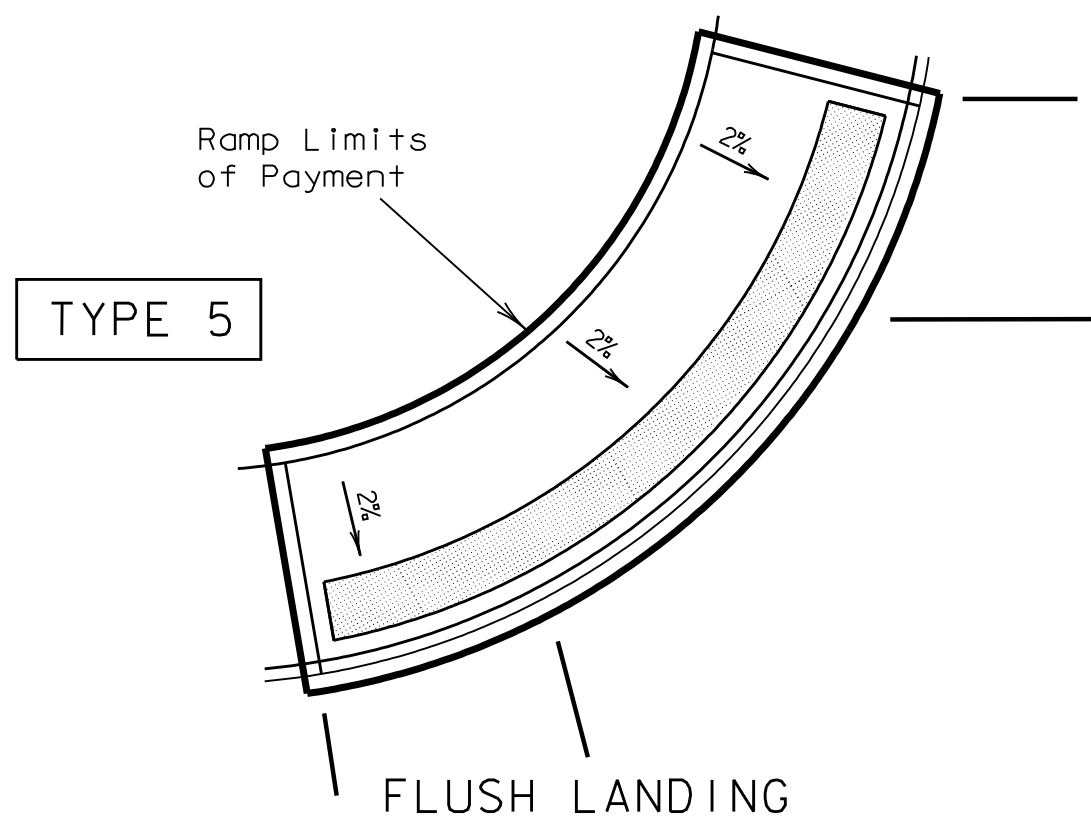
DIAGONAL COMBINATION CURB RAMP
Perpendicular to the Tangent of the Curb Radius and Contained in Crosswalk



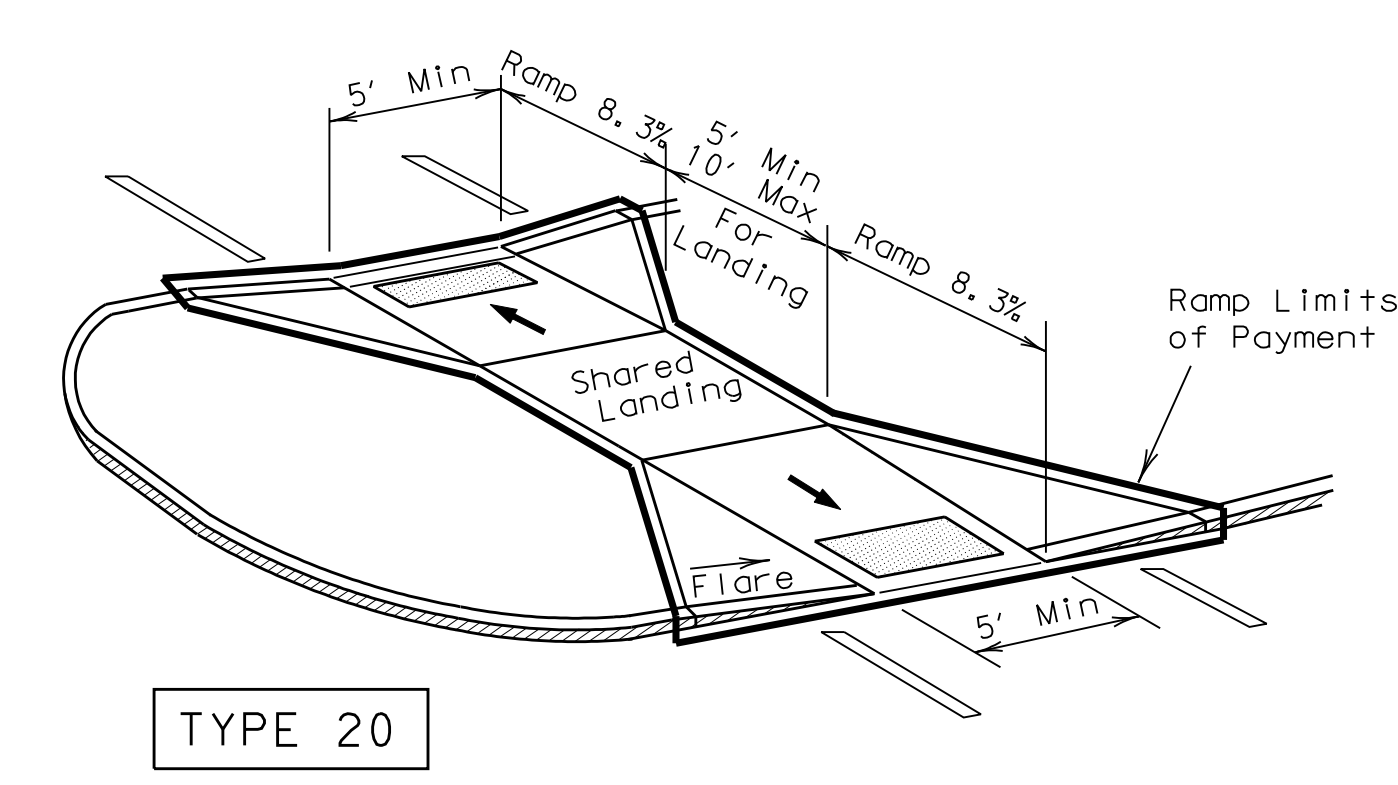
DIRECTIONAL RAMP WITHIN RADIUS
(Sidewalk set back from curb)



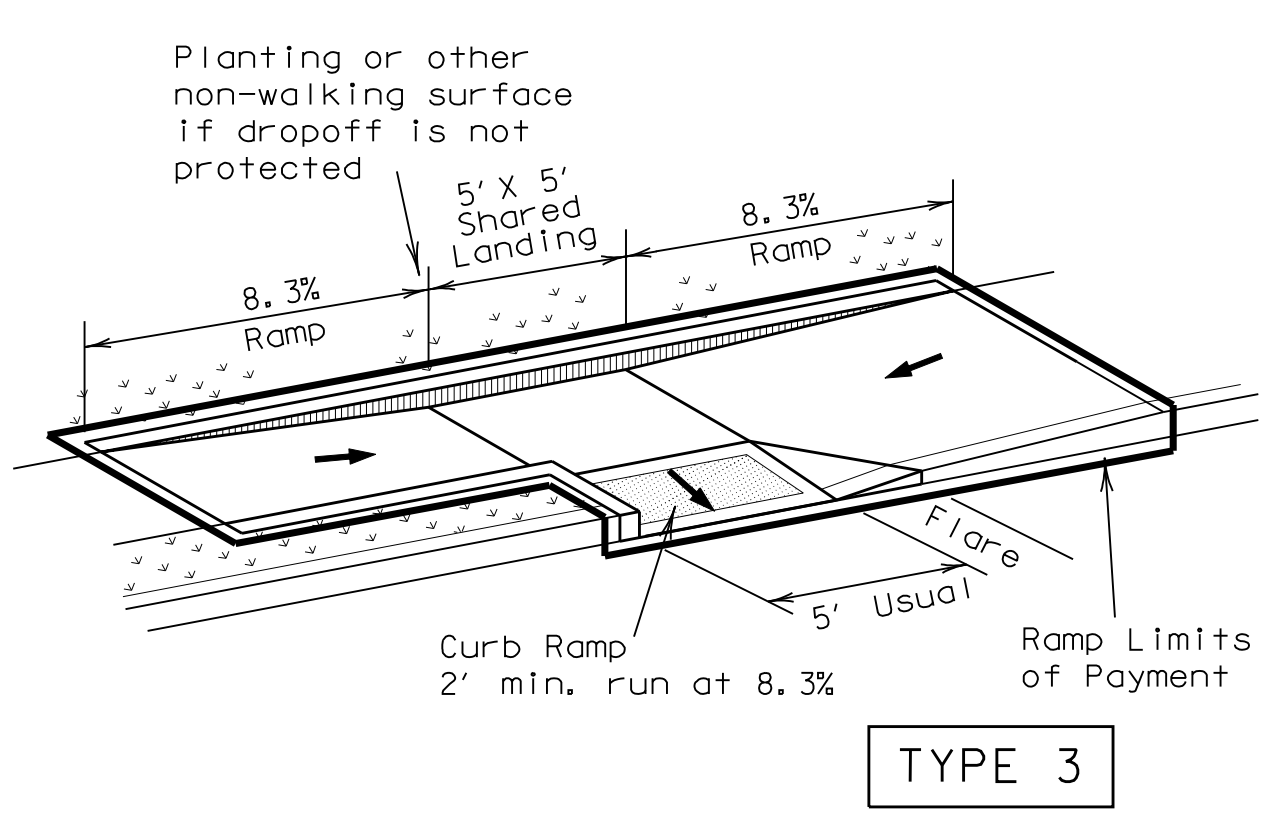
DIAGONAL CURB RAMP (FLARED SIDES)



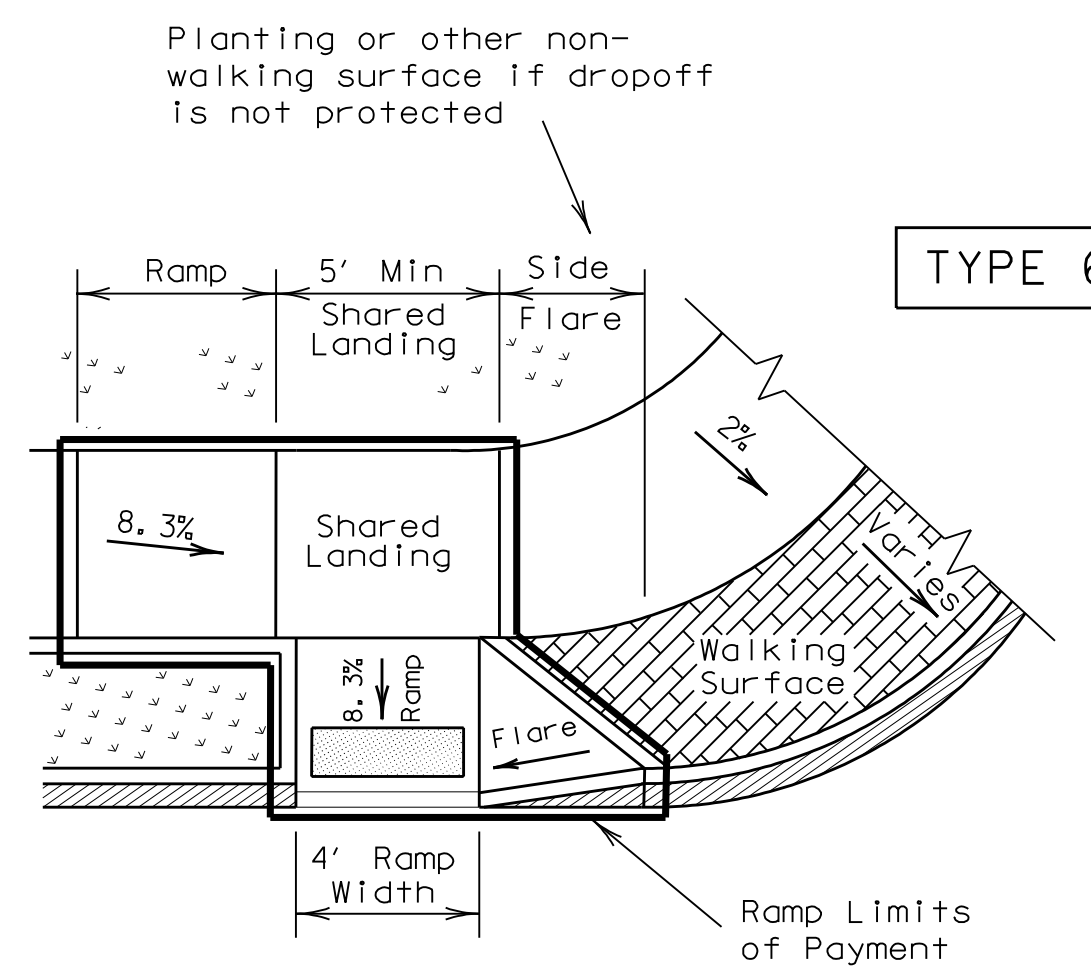
DIAGONAL CURB RAMP (RETURNED CURB)



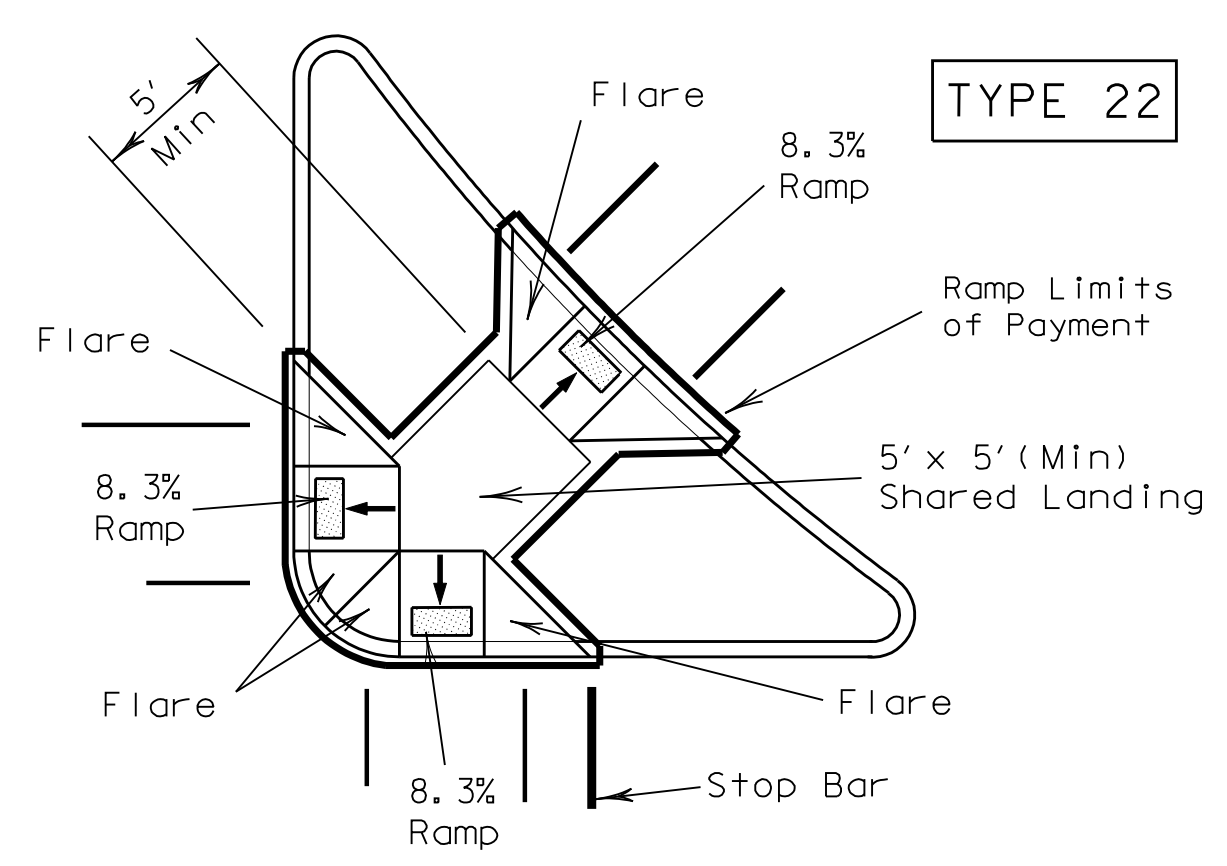
TYPE 20



TYPE 3

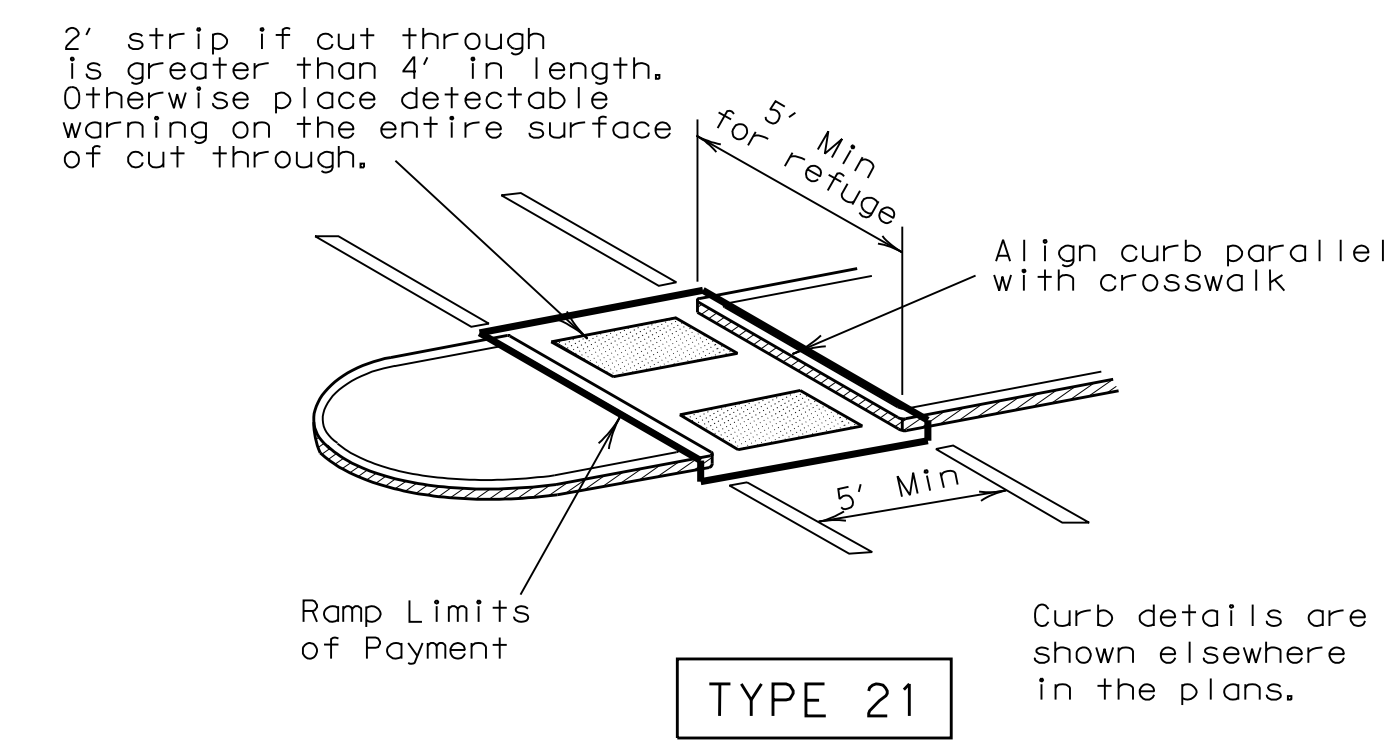


TYPE 6



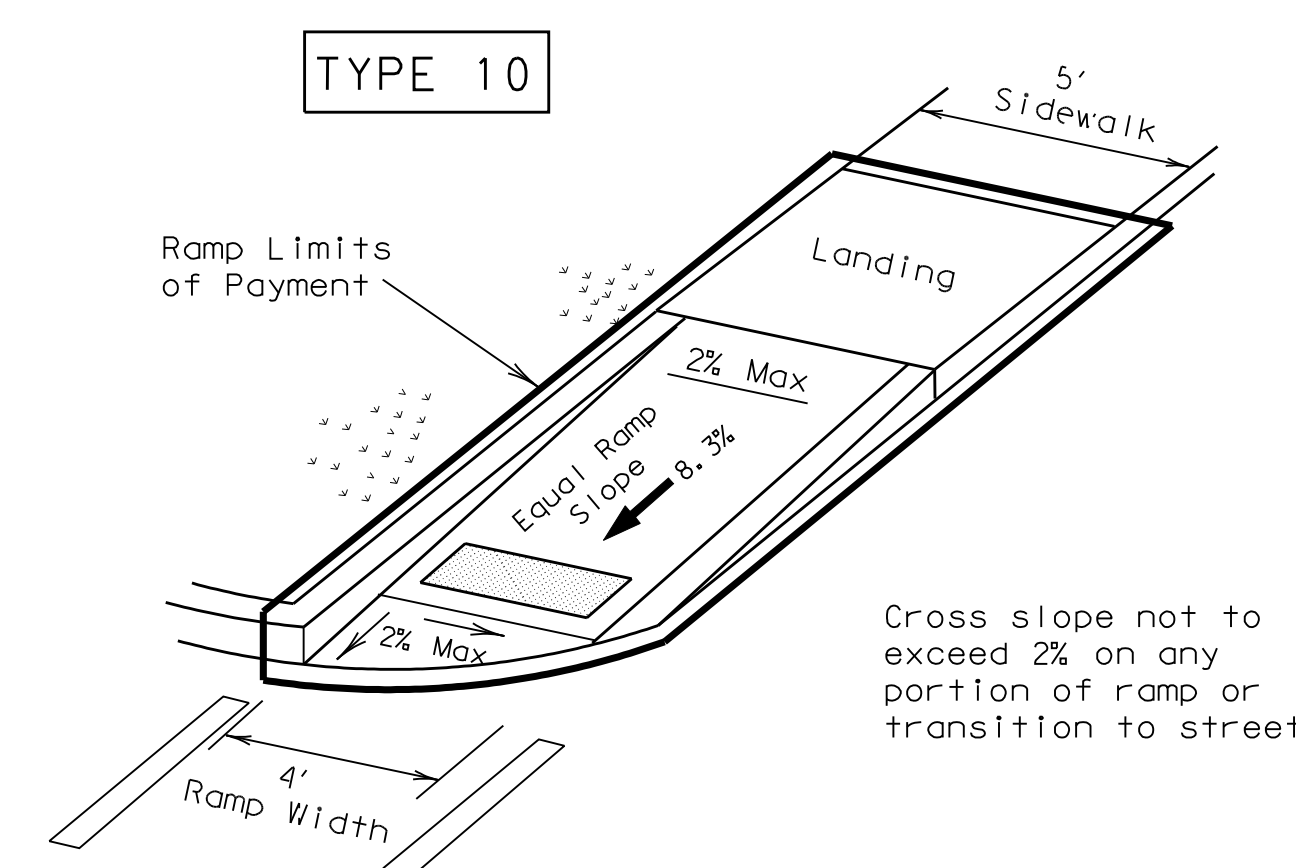
TYPE 22

COMBINATION ISLAND RAMPS

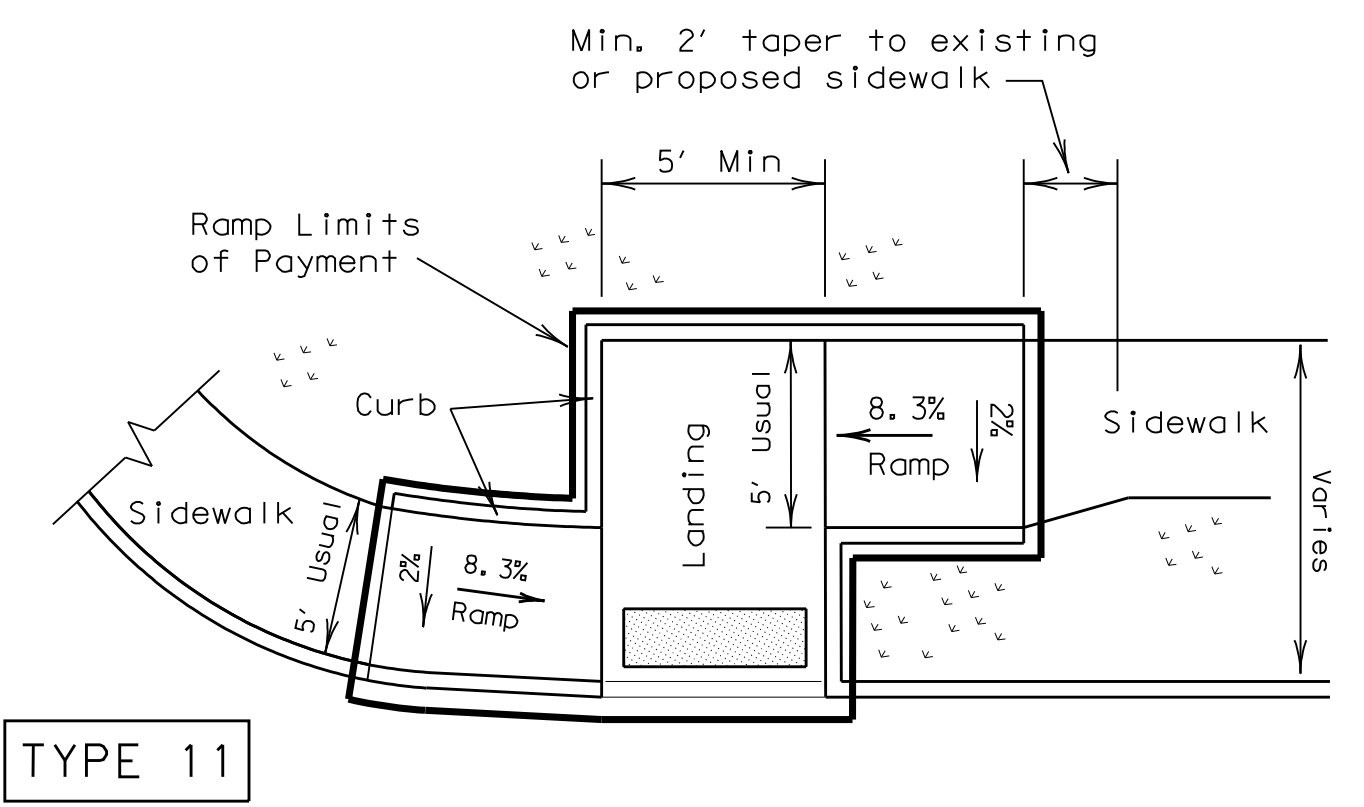


TYPE 21

CURB RAMPS AT MEDIAN ISLANDS



DIRECTIONAL RAMP WITHIN RADIUS
(Sidewalk adjacent to curb)



TYPE 11

OFFSET PARALLEL CURB RAMP

NOTES:
See General Notes on sheet 2 of 4 for more information.
* Denotes planting or non-walking surface.

Texas Department of Transportation
Design Division (Roadway)

PEDESTRIAN FACILITIES
CURB RAMPS

PED-05 SHEET 1 OF 4

FILE#	ped05.dgn	DN#	EH	CK#	DN#	BGD	CK#	
©	TxDOT	March	2002	DIST	FEDERAL AID PROJECT			SHEET
REVISIONS								11
	COUNTY	CONTROL	SECT	JOB	HIGHWAY			