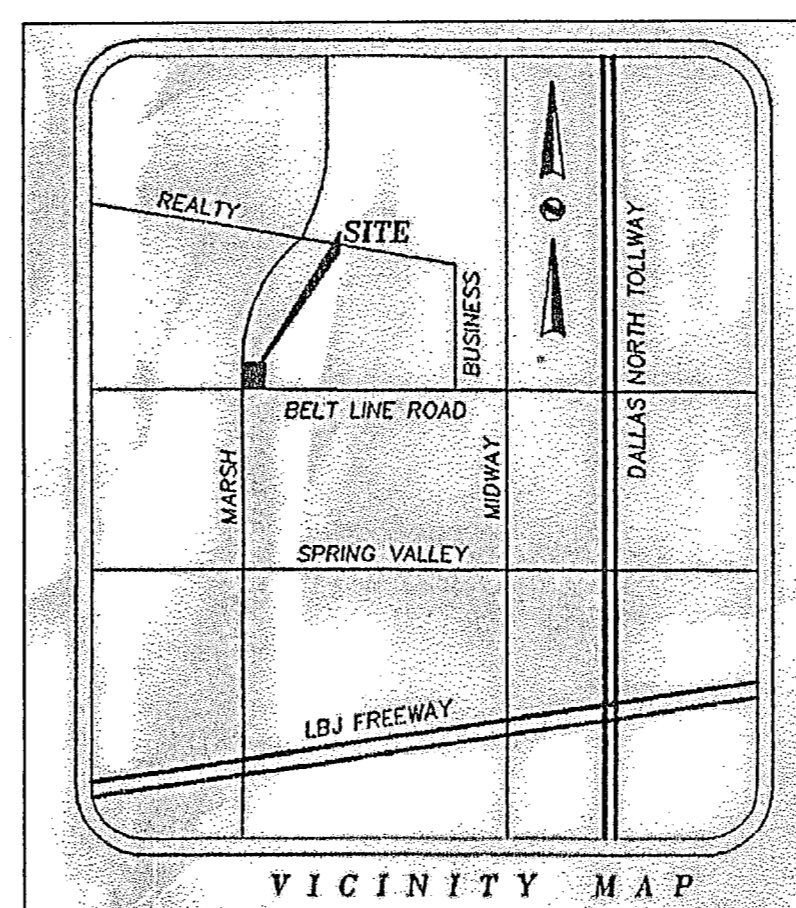
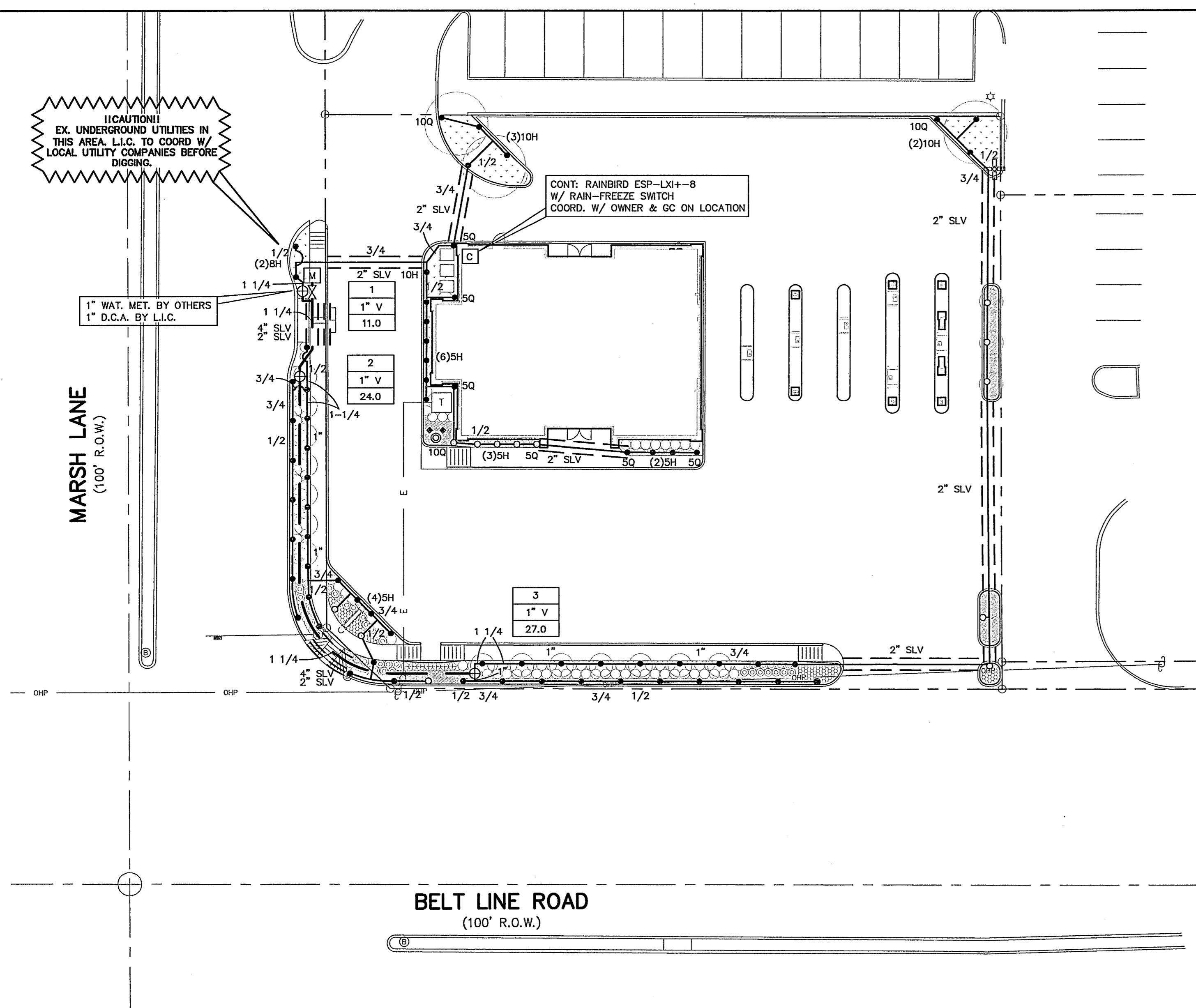
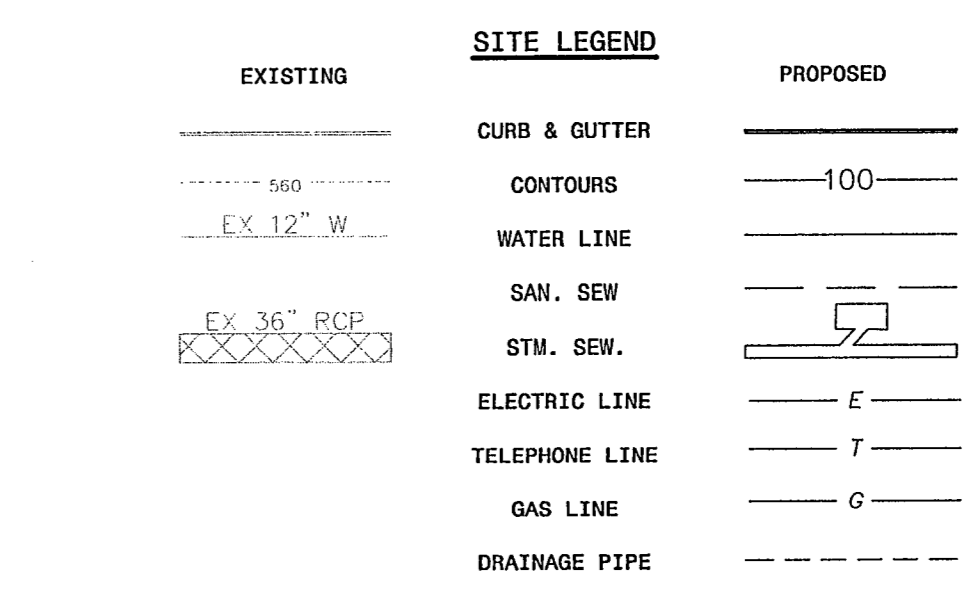


\\Snap-a-drawings\Land Projects 2004\310-03.dwg 11/10/2004 2:04:31 PM CST



CAUTION
 CONTACT:
 TXU GAS: 972-323-8917 (MR. GEORGE MELENDEZ)
 SSC: 214-920-0190 (MR. BERUNER BAKER)
 ONCOR ELECT: 972-323-8917 (MR. LARRY REDICK)
 TEXAS ONE STOP 1-800-245-4545
 48 HOURS PRIOR TO CONSTRUCTION



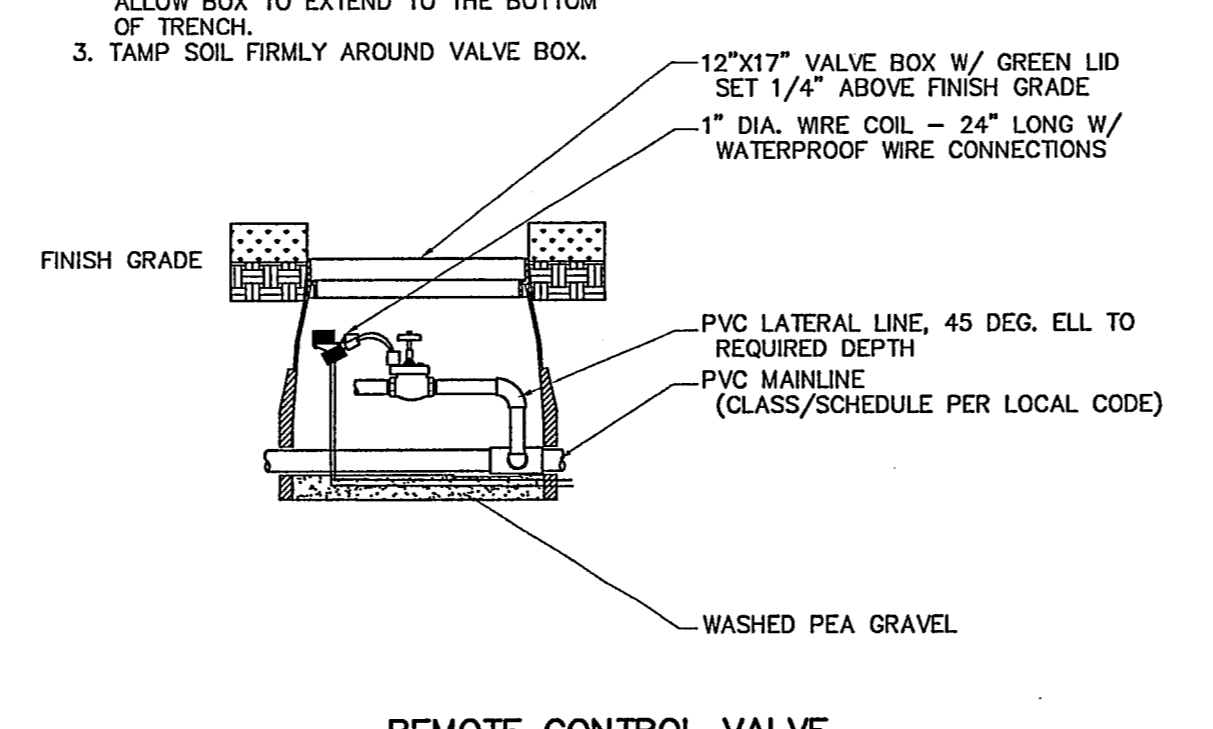
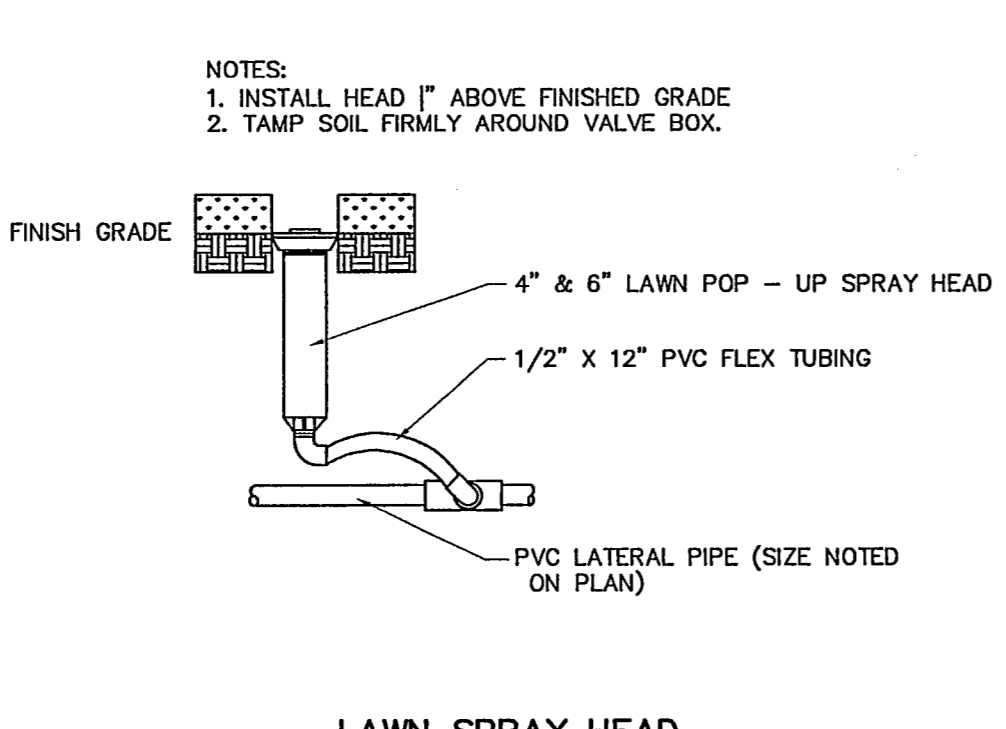
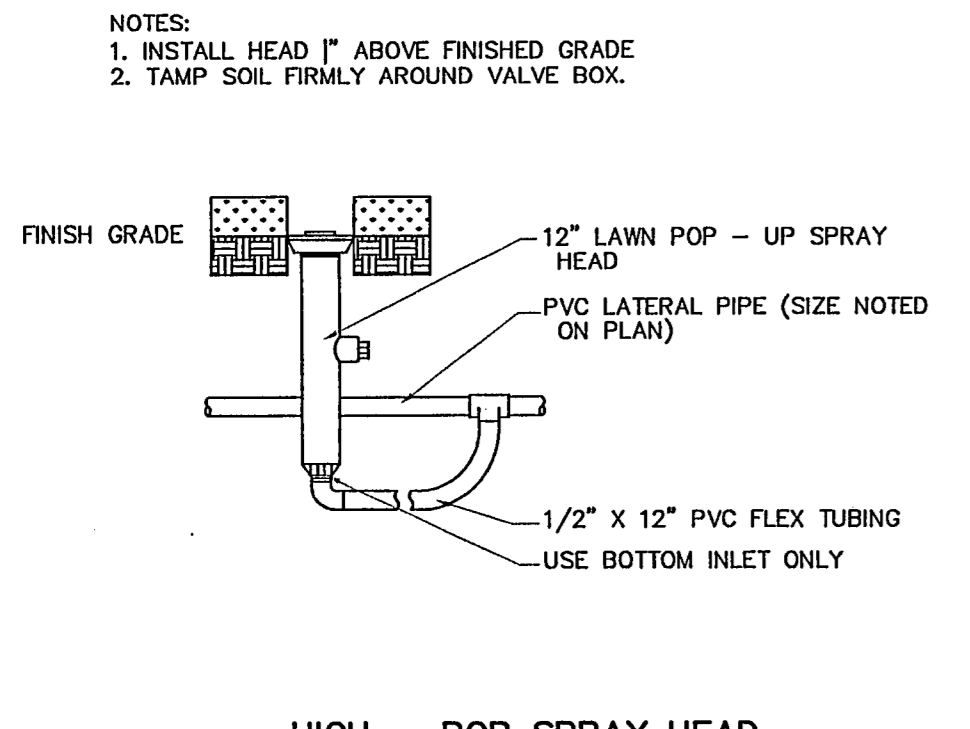
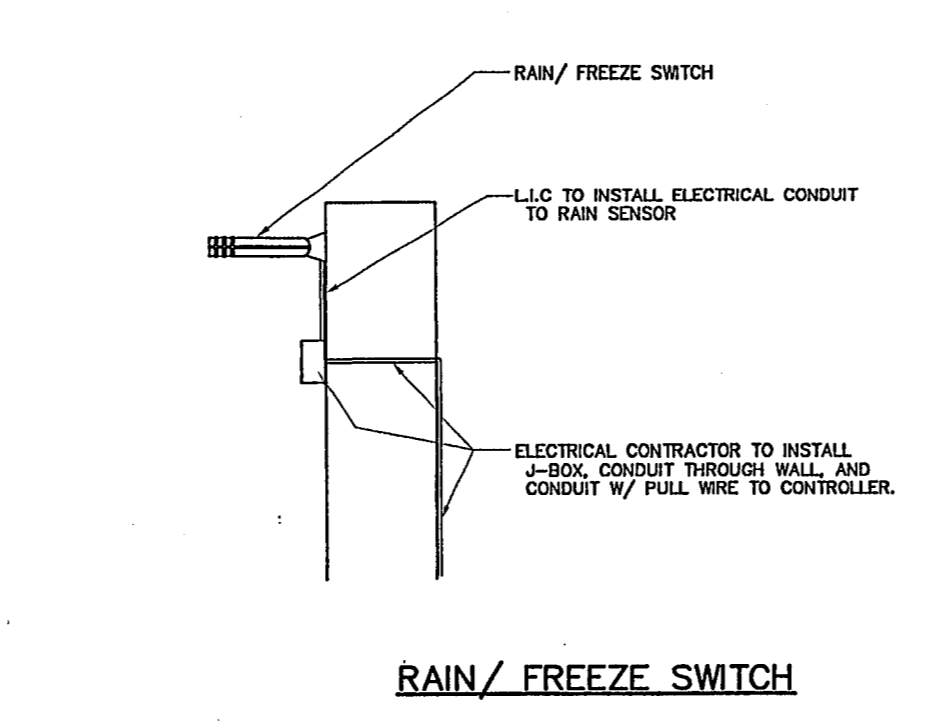
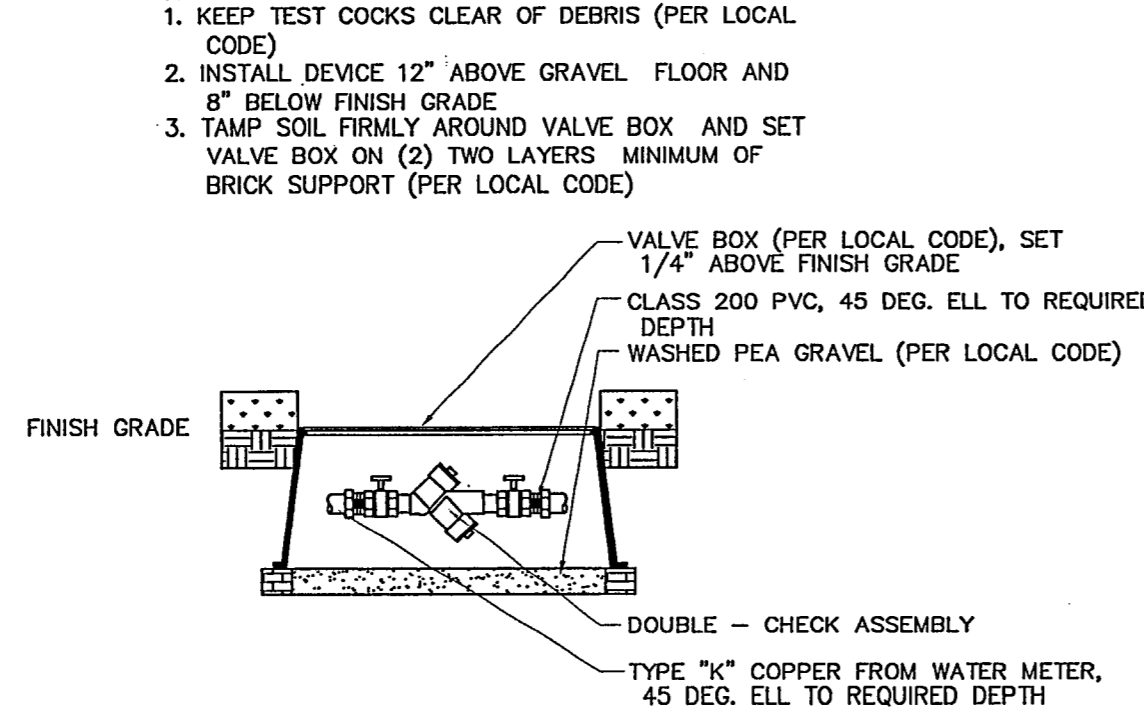
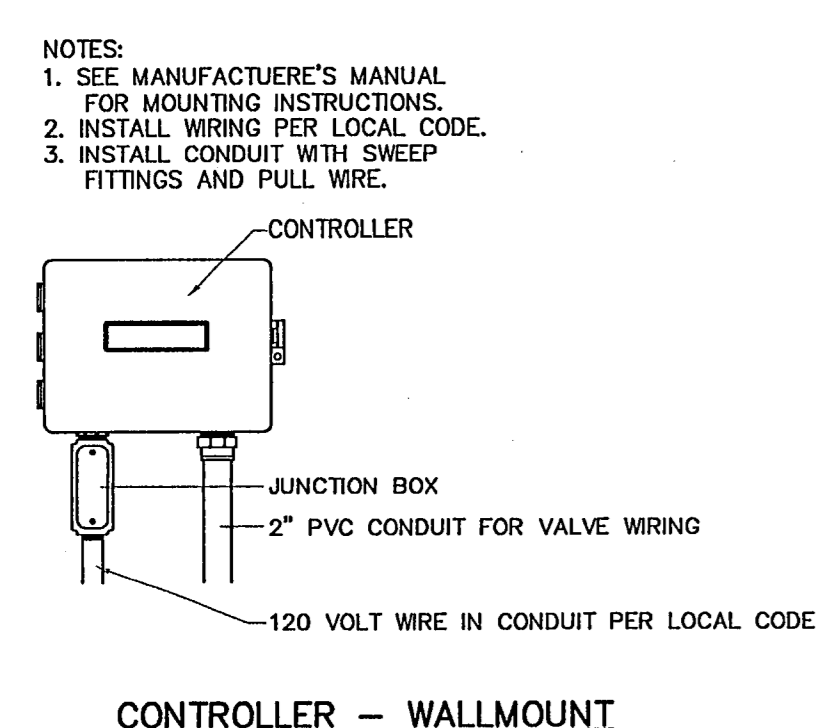
IRRIGATION SYMBOLS & LEGEND

SYMBOL	DESCRIPTION	MANUFACTURER	MODEL NO.
●	LAWN SPRAY HEAD	RAINBIRD	#1804 SAM-PRS SERIES w/ #8 NPS NOZZLES UNLESS NOTED OTHERWISE
○	HIGH-POP SPRAY HEAD	RAINBIRD	#1812 SAM-PRS SERIES w/ #8 NPS NOZZLES UNLESS NOTED OTHERWISE
⊕	REMOTE CONTROL VALVE	RAINBIRD	PEB SERIES SIZED AS SHOWN
⊗	DOUBLE-CHECK ASSEMBLY	FEBCO	805Y SIZED AS SHOWN
M	WATER METER	REFER TO PLAN	PER LOCAL CODE BY OTHERS
C	CONTROLLER	RAINBIRD	ESP-LX+ SERIES w/ RAIN-FREEZE SWITCH STATION #'S SHOWN ON PLAN
—	MAINLINE PIPING	REFER TO PLAN	SCH. 40 PVC, SIZED AS SHOWN
—	LATERAL PIPING	REFER TO PLAN	CLASS 200 PVC FOR 3/4" AND GREATER, AND CLASS 315 FOR 1/2" SIZED AS SHOWN
—	SLEEVE	REFER TO PLAN	SCH. 40 PVC, SIZED AS SHOWN
1 1" V 30.0	STATION NUMBER VALVE SIZE GPM (APPROX. +/- 2 GPM)		

PRESSURE LOSS TABLE

	ZONE #3 (27.0 GPM)
1" WAT. MET.	4.3
1" COPPER 'K'	0.4
1" D.C.A.	4.0
1-1/4" MAINLINE	3.6
1-1/4" R.C.V.	3.2
SECT./ HD.	35.0
	50.5

- IRRIGATION NOTES**
- COORDINATE INSTALLATION OF IRRIGATION SYSTEM WITH THE LANDSCAPE CONTRACTOR TO ENSURE ALL PLANT MATERIAL WILL BE WATERED IN ACCORDANCE WITH THE PLANS AND SPECIFICATIONS.
 - VERIFY STATIC PRESSURE TEN DAYS PRIOR TO THE START OF CONSTRUCTION. IF STATIC PRESSURE IS LESS THAN 60.0 PSI, DO NOT START WORK UNTIL NOTIFIED TO PROCEED BY THE OWNER. DESIGN PRESSURE IS 48.9. SEE PRESSURE LOSS TABLE THIS SHEET FOR CALCULATIONS.
 - PERFORM ELECTRICAL WORK IN ACCORDANCE WITH LOCAL BUILDING CODE. POWER (120V) SHALL BE LOCATED IN A JUNCTION BOX WITHIN FIVE (5') FEET OF CONTROLLER LOCATION BY OTHER TRADES.
 - ALL 24 VOLT LEAD AND COMMON VALVE WIRING SHALL BE A MINIMUM OF UF-14 GA. SINGLE CONDUCTOR. REFER TO MANUFACTURER'S RECOMMENDATIONS FOR PROPER WIRE SIZING. WIRES SHALL BE SPLICED TOGETHER WITH WATERPROOF CONNECTORS.
 - ROUTE COMMON WIRE FROM CONTROLLER TO REMOTE SENSORS IN SERIES PRIOR TO CONNECTING TO REMOTE CONTROL VALVES.
 - INSTALL REMOTE CONTROL VALVES IN 12" X 17" VALVE BOXES PER DETAIL SHOWN.
 - LATERAL PIPING SHALL HAVE A MINIMUM OF 12" OF COVER. MAINLINE AND PIPING UNDER PAVING SHALL HAVE A MINIMUM OF 18" OF COVER AND BE SCH. 40 PVC, SIZED AS SHOWN ON THE PLAN.
 - SLEEVES SHALL BE SCH. 40 PVC, SIZED AS SHOWN ON THE PLANS AND INSTALLED BY OTHER TRADES.
 - CONNECT LAWN AND HIGH-POP LAWN SPRAY HEADS TO LATERAL PIPE WITH 1/2" X 12" PVC FLEX TUBING. USE BOTTOM INLET ONLY. PER DETAIL SHOWN.
 - CONNECT ROTARY HEADS TO LATERAL PIPE WITH LASCO "UNITIZED" O-RING SWING JOINTS, PER DETAIL SHOWN.
 - IF IRRIGATION PIPE AND VALVES ARE SHOWN OUTSIDE OF PROPERTY LINES IT IS FOR CLARITY PURPOSES ONLY. ALL IRRIGATION EQUIPMENT IS TO BE INSTALLED WITHIN STREET CURBS, LANDSCAPE EASEMENTS, RIGHT-OF-WAYS, PROPERTY LINES, ETC.
 - THIS LANDSCAPE IRRIGATION SYSTEM IS DESIGNED FOR 100% COVERAGE OF ALL LANDSCAPED AREAS. IF ANY CHANGES ARE NECESSARY IN THE FIELD IT IS THE RESPONSIBILITY OF THE IRRIGATION CONTRACTOR.
 - DUE TO 100% COVERAGE AND ANY OTHER UNCONTROLLABLE CIRCUMSTANCE, THIS IRRIGATION SYSTEM MAY SPRAY OUTSIDE OF ITS INTENDED BOUNDARIES. THIS MAY CAUSE SLIPPERY CONDITIONS ON PAVED SURFACES. IRRIGATION CONTRACTOR IS TO ADJUST NOZZLES TO MINIMIZE OVERSPRAY.
 - BECAUSE CHANGES TO THE FINAL PLAN MAY BE NECESSARY IN THE FIELD, THE IRRIGATION CONTRACTOR IS REQUIRED TO SUBMIT AN AS-BUILT PLAN TO ALL AGENTS WHO HAVE DESIGN RESPONSIBILITIES FOR THIS PROJECT. THIS INCLUDES THE CITY PLANNING OFFICIAL, THE ENGINEER, THE LANDSCAPE DESIGNER, AND THE IRRIGATION DESIGNER.
 - NOZZLE LEGEND: SYMBOL = ARC RADIUS
 F = 100%, E = 75%, C = 66%, H = 50%, B = 33%, Q = 25%.
 ALL NOZZLE ARCS ARE 8' IN RADIUS UNLESS NOTED OTHERWISE ON THE PLAN.



ANDERSON LAND DEVELOPMENT SERVICES
 CAD PRODUCTION * LANDSCAPE & IRRIGATION DESIGN
 CONSULTING * DESIGNING * PLANNING
 6301 STONEWOOD DR. SUITE 1423
 PLANO, TEXAS 75024
 (phn) 214-893-0007
 (e:mail) als0007@airmail.net

TOMDEN ENGINEERING, L.L.P.
 12655 N. Central Expwy., Suite 1016
 Dallas, Texas 75243
 Ph: 972.386.6446 Fax: 972.386.6409
 mail@tomden.com

CENTURY BANK & MARSH LANE

IRRIGATION PLAN

Scale: 1" = 20'
 Designed by J.K.A.
 Drawn by CAD
 Checked by J.K.A.
 S:\LP 2004\310-03.dwg\0102IRR
 Date: 11/11/04 14:05

SHEET
L2
 OF 2