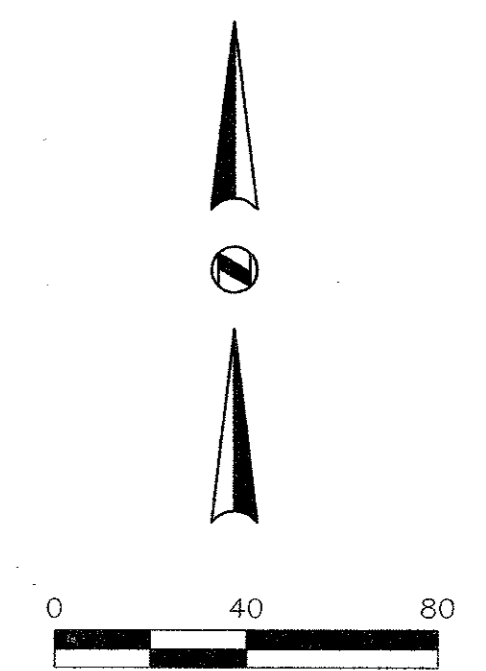


S 89°55'22" E - 1199.66

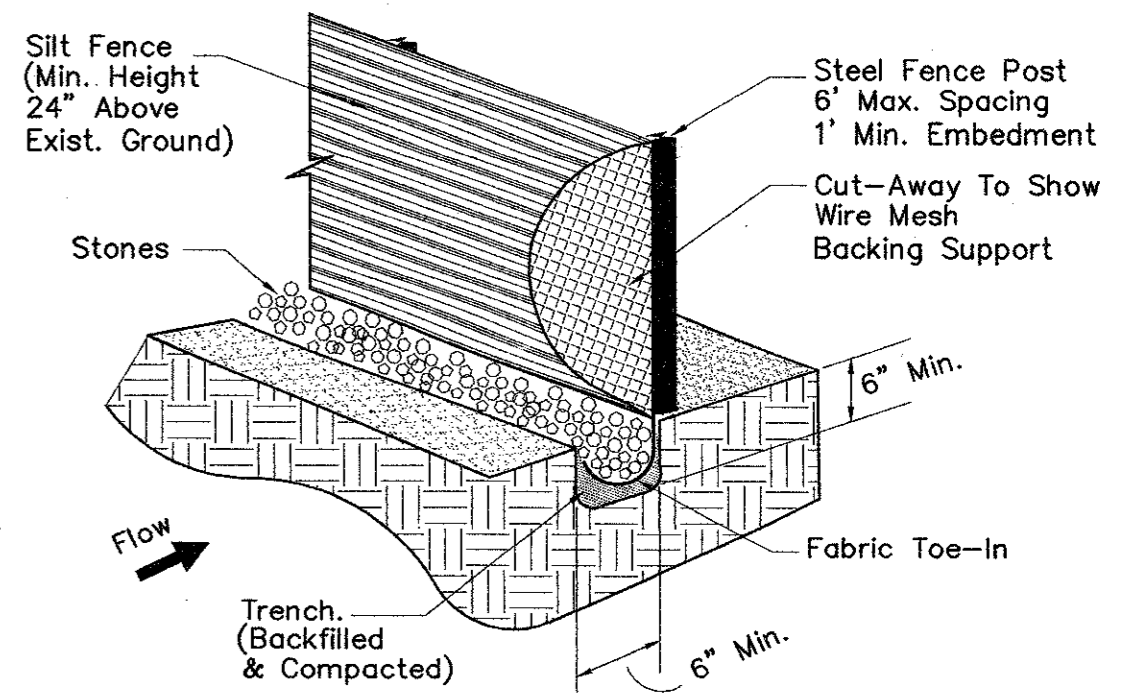


**LEGEND**

- 5.35 — Existing Contour
- 35 — Proposed Contour
- Flow Arrow
- Existing Curb
- Proposed Curb
- Sawcut
- Existing Storm Sewer Line
- Proposed Storm Sewer Line
- Silt Fence

**Notes:**

1. Steel posts which support the silt fence shall be installed on a slight angle toward the anticipated runoff source. The post must be embedded a minimum of one foot.
2. The toe of the silt fence shall be trenched in with a spade or mechanical trencher, so that the downslope face of the trench is flat and perpendicular to the line of flow. Where fence cannot be trenched in (e.g. pavement), weight fabric flap with washed gravel on the uphill side to prevent flow under fence.
3. The trench must be a minimum of 6 inches deep and 6 inches wide to allow for the silt fence fabric to be laid in the ground and backfilled with compacted material.
4. Silt fence shall be securely fastened to each steel support post or to woven wire, which is in turn attached to the steel support post. There shall be a 6 inch double overlap, securely fastened where ends of fabric meet.
5. Inspection shall be made weekly or after each rainfall. Repair or replacement shall be made promptly as needed.
6. Silt fence shall be removed when the site is completely stabilized so as not to block or impede storm flow or drainage.
7. Accumulated silt shall be removed when it reached a depth of 6 inches. The silt shall be disposed of at an approved site and in such a manner as to not contribute to additional siltation.



**SILT FENCE DETAIL**

**AS-BUILT**

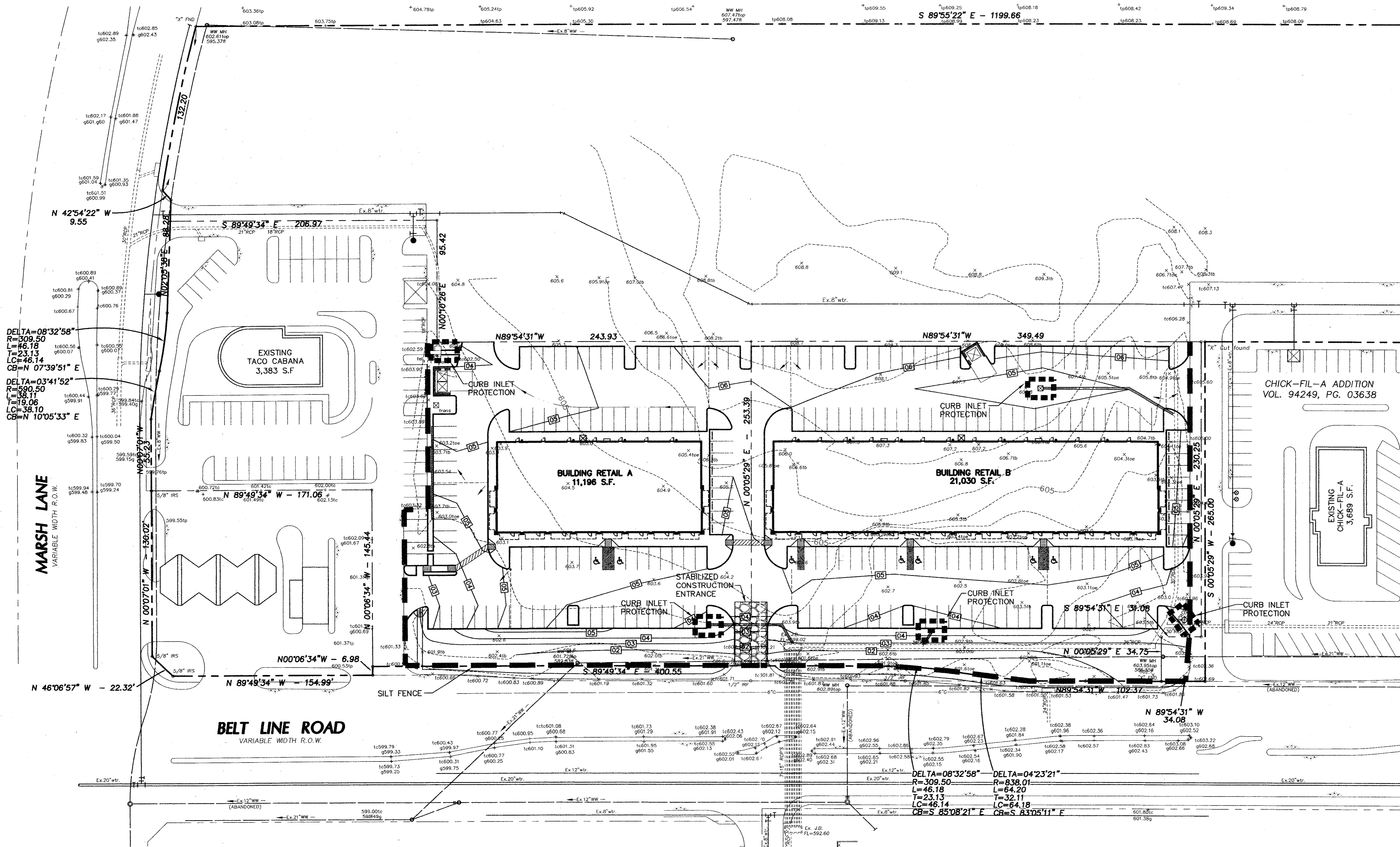
NOTE: THESE PLANS HAVE BEEN REVISED TO CONFORM WITH CONSTRUCTION RECORDS PROVIDED BY CONTRACTOR.

**EROSION CONTROL PLAN**  
**MARSH / BELT LINE SHOPPING CENTER**  
**TOWN OF ADDISON**  
**DALLAS COUNTY, TEXAS**

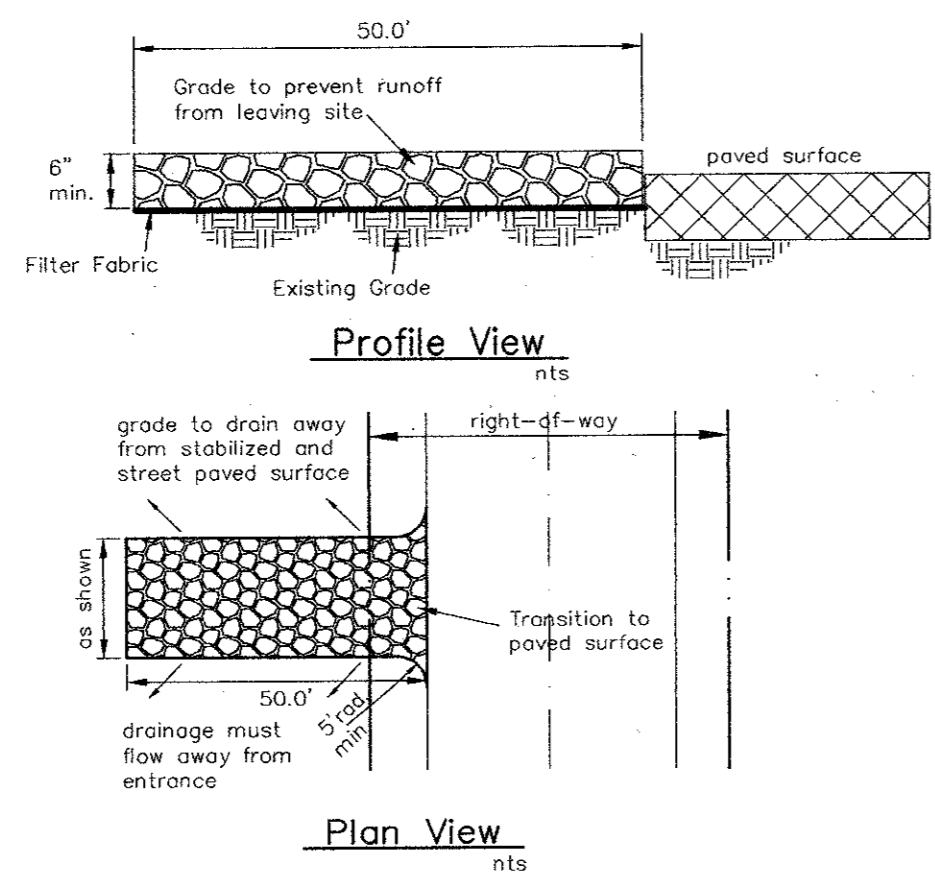
**BROCKETTE · DAVIS · DRAKE, inc.**  
**consulting engineers**  
 Civil & Structural Engineering · Surveying  
 4144 North Central Expressway, Suite 1100, Dallas, Texas 75204  
 (214)824-3647, fax (214) 824-7064

DESIGN	DRAWN	DATE	SCALE	NOTES	FILE	NO.
JAR	FG	7/24/00	1"=40'	BDD	C99158	C-9

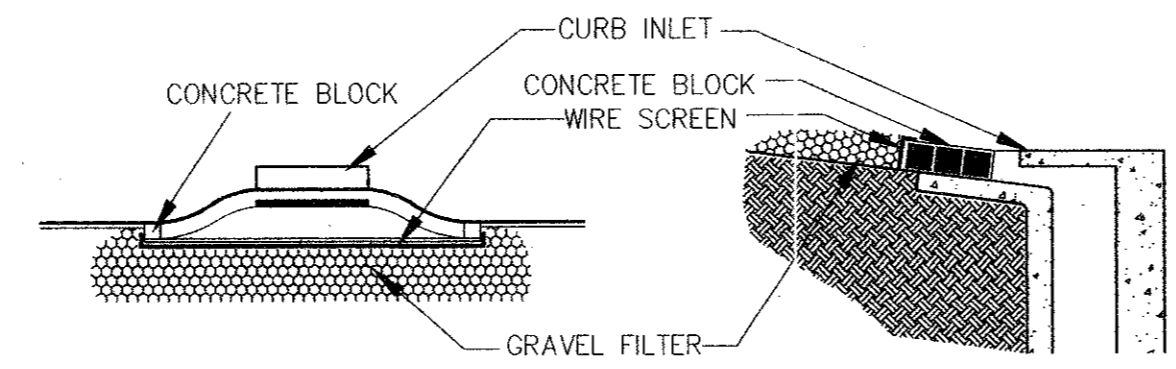
STATE OF TEXAS  
 JAMES A. RILEY  
 73231  
 07-24-00



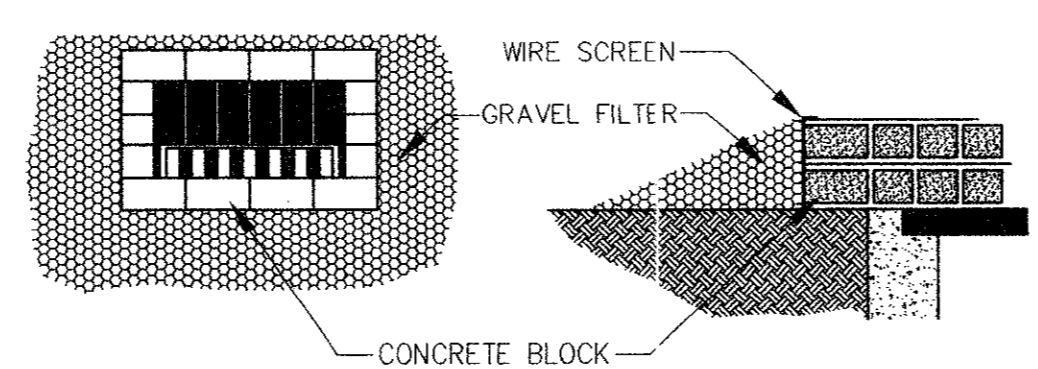
- Notes:**
1. Stone shall be 3 to 5 inch diameter crushed rock or acceptable crushed Portland Cement Concrete.
  2. When necessary, vehicles shall be cleaned to remove sediment prior to entrance onto a public roadway. When washing is required, it shall be done on a area stabilized with crushed stone with drainage flowing away from both the street and the stabilized entrance. All sediment shall be prevented from entering any storm drain, ditch or watercourse using approved methods.
  3. The entrance shall maintained in a condition which will prevent tracking or flowing of sediment onto paved surfaces. This may require periodic top dressing with additional stone a conditions demand. All sediment spilled, dropped, washed or tracked onto paved surfaces, must be removed immediately.
  4. The entrance must be properly graded or incorporate a drainage swale to prevent runoff from leaving the construction site.



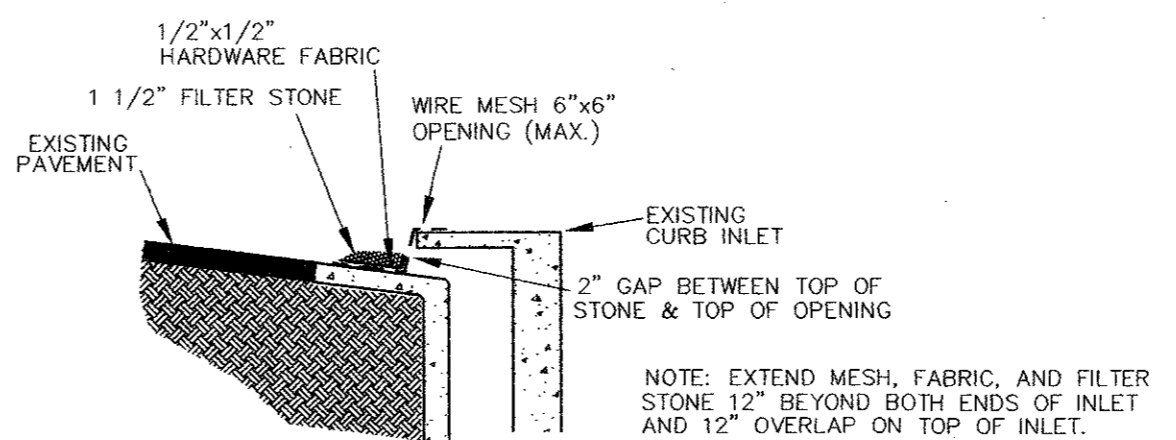
**STABILIZED CONSTRUCTION ENTRANCE**



**CURB INLET PROTECTION (FOR PROPOSED INLETS)**



**DROP INLET PROTECTION**



**CURB INLET PROTECTION (FOR EXISTING INLETS)**

**BLOCK AND GRAVEL PROTECTION**  
 Concrete blocks are to be placed on their sides in a single row around the perimeter of the inlet, with ends abutting. Opening in the blocks should face outward, not upward. Wire mesh shall then be placed over the outside face of the blocks covering the holes. Filter stone shall then be piled against the wire mesh to the top of the blocks with the base of the stone being a minimum of 18 inches from the blocks. Periodically, when the stone filter becomes clogged, the stone must be removed and cleared in a proper manner or replaced with new stone and piled back against the wire mesh.