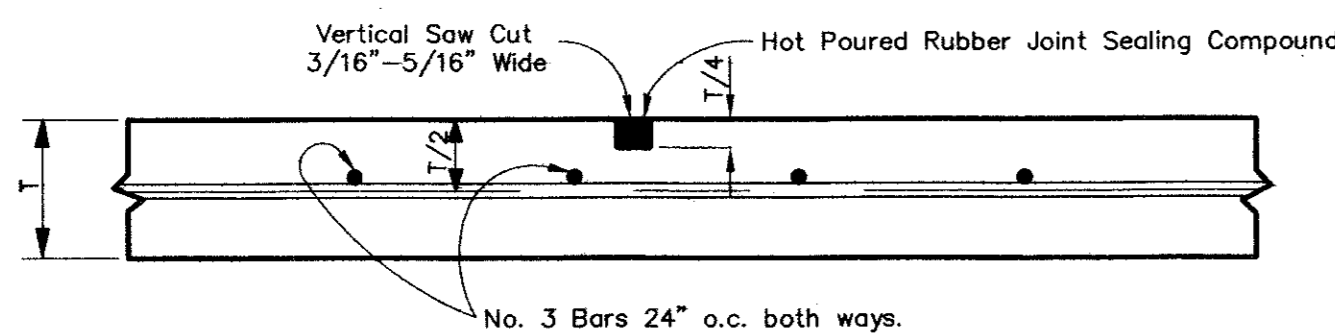
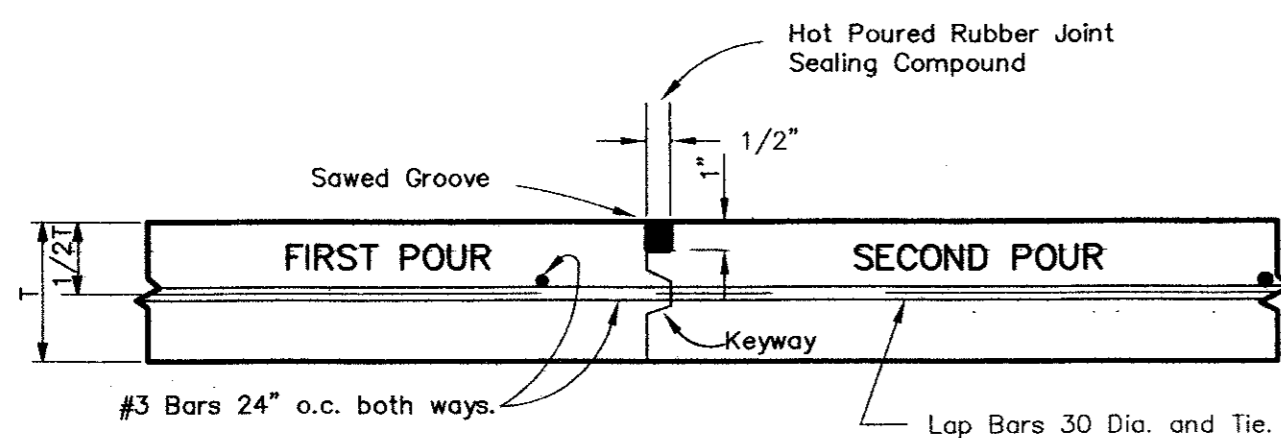


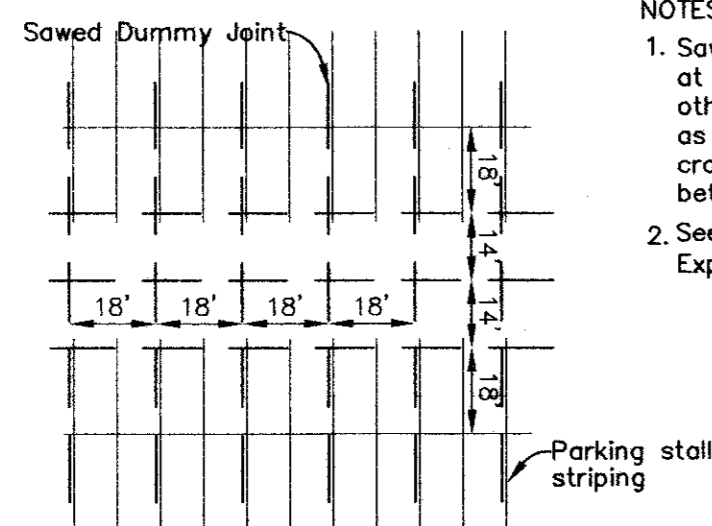
TRANSVERSE EXPANSION JOINT (ON-SITE)
N.T.S.



SAWED DUMMY JOINT (ON-SITE)
N.T.S.

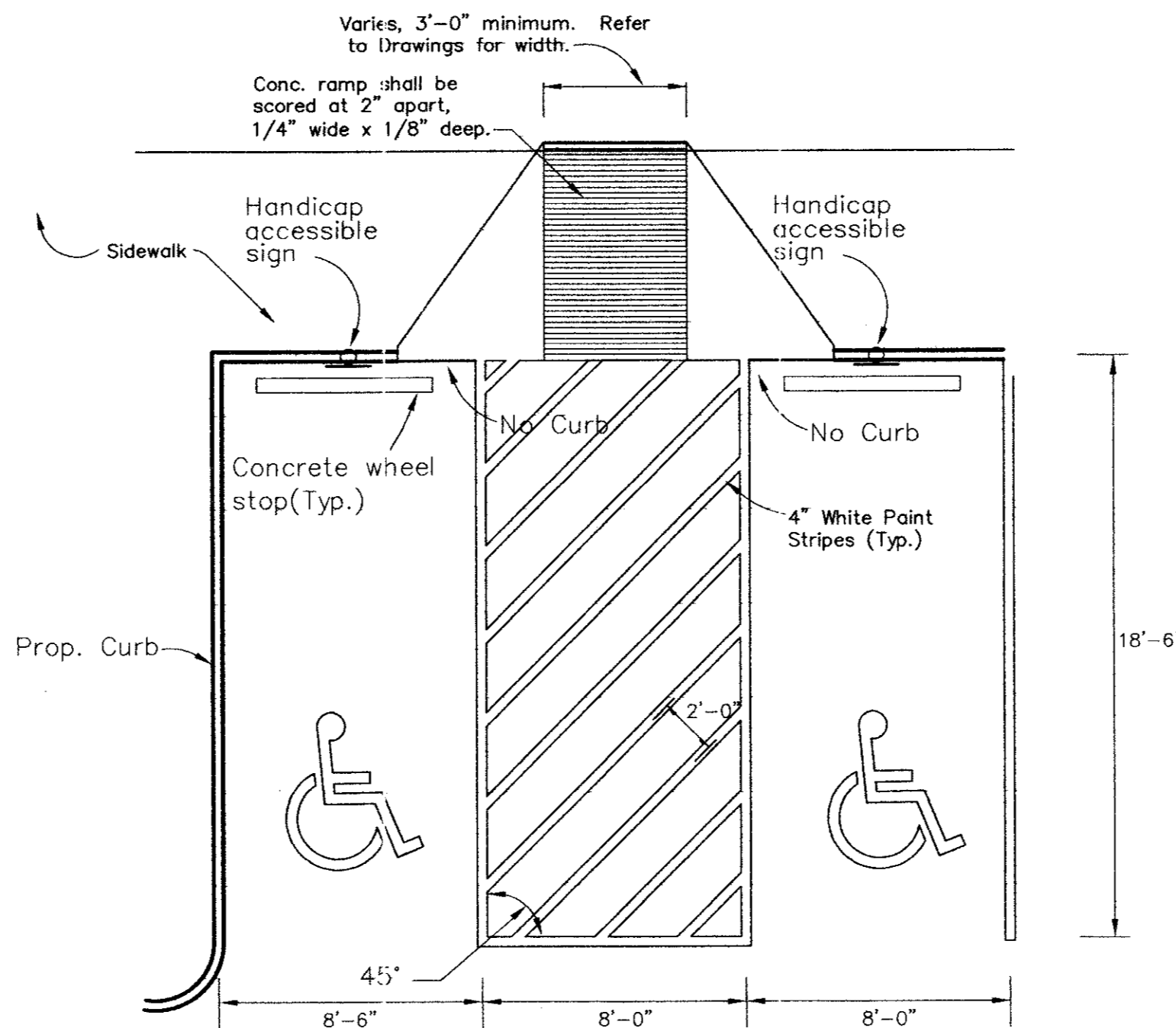


CONSTRUCTION JOINT (ON-SITE)
N.T.S.

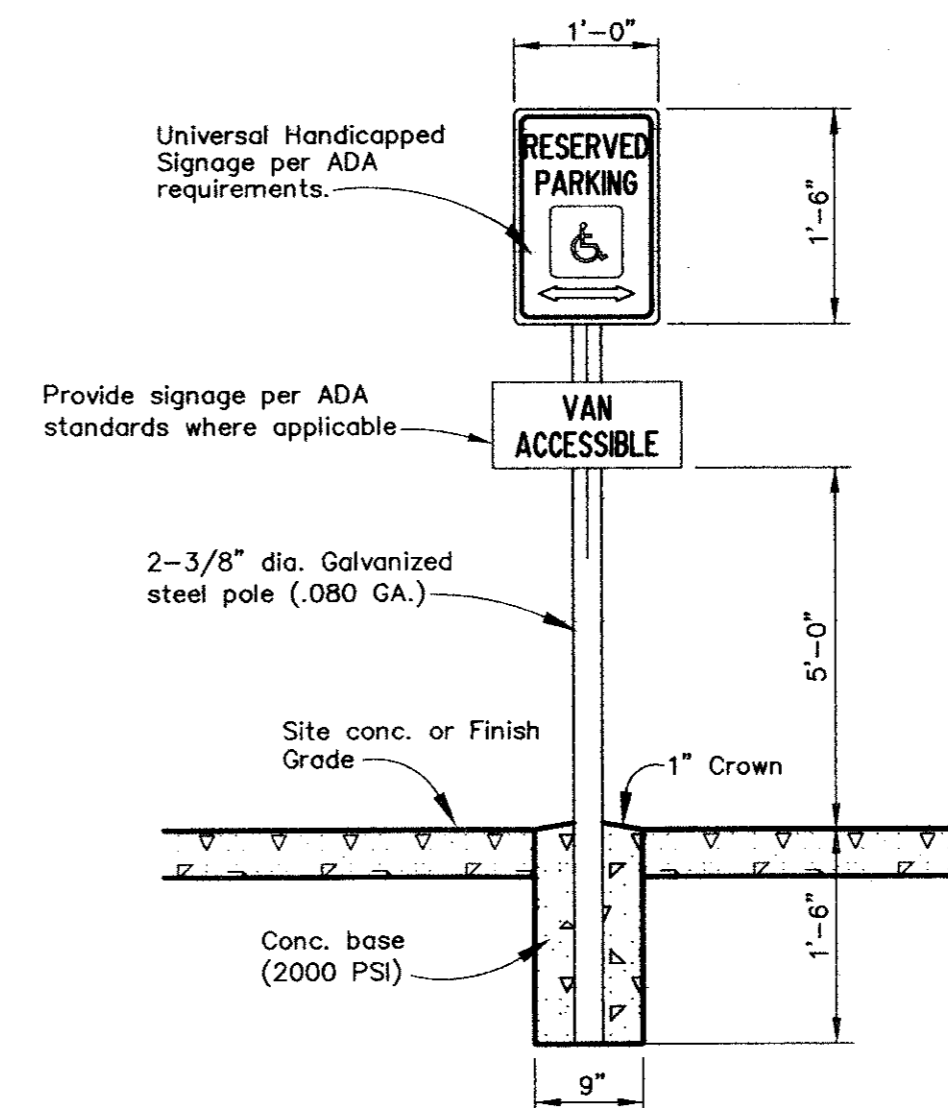


TYPICAL SAWED DUMMY JOINT LAYOUT
N.T.S.

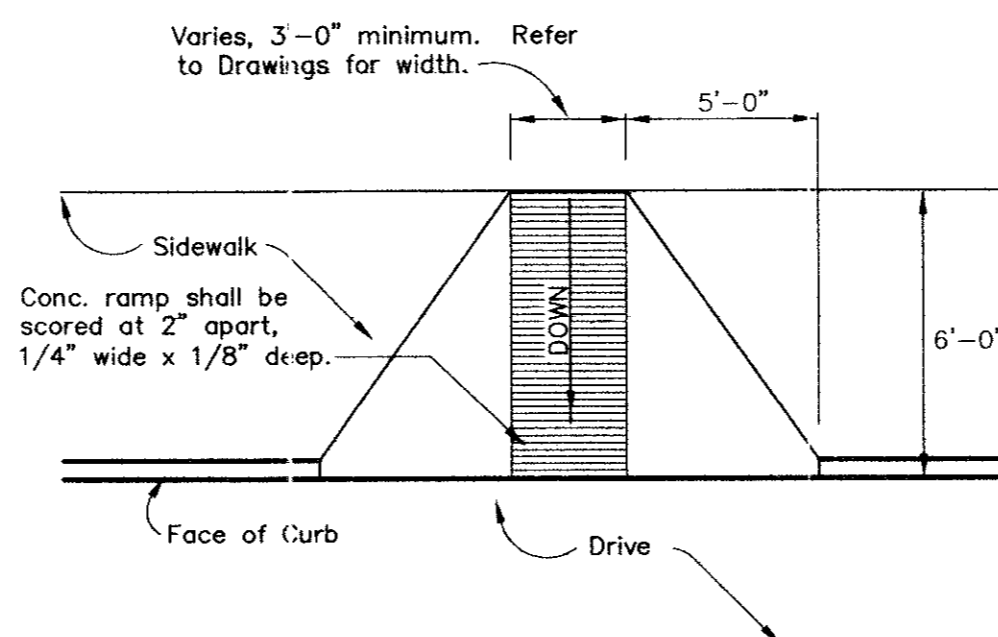
NOTES:
1. Sawed Dummy Joints required at all curb return points and other points at curb islands as necessary to prevent cracking. Maximum distance between joints shall be 18'.
2. See sh. 4 for Transverse Expansion Joint locations.



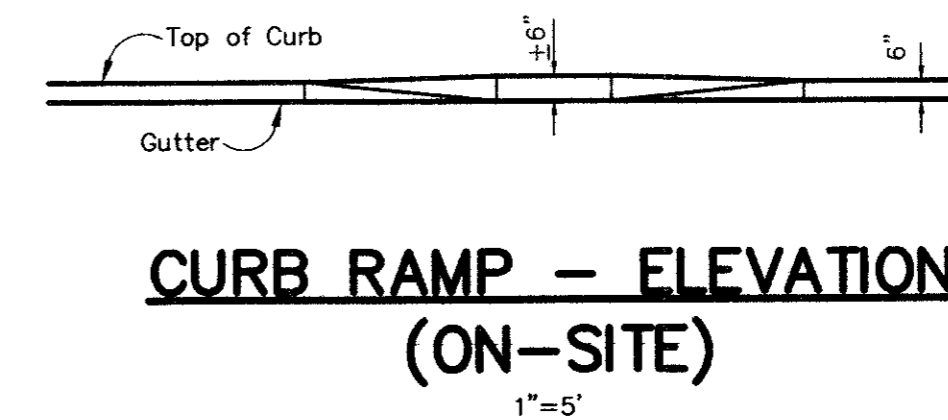
HANDICAP VAN & STANDARD PARKING
N.T.S.



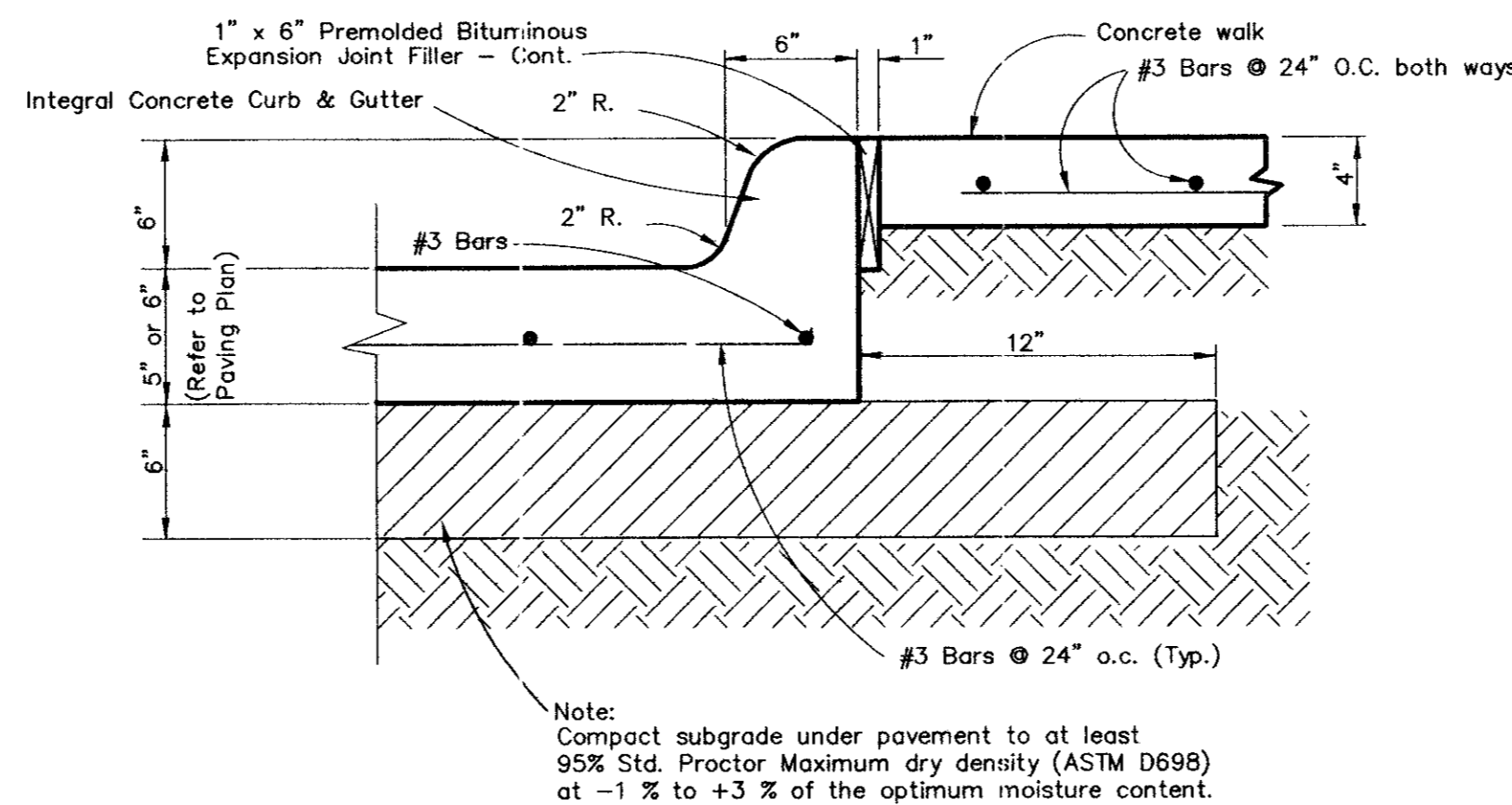
HANDICAP SIGNAGE DETAIL
N.T.S.



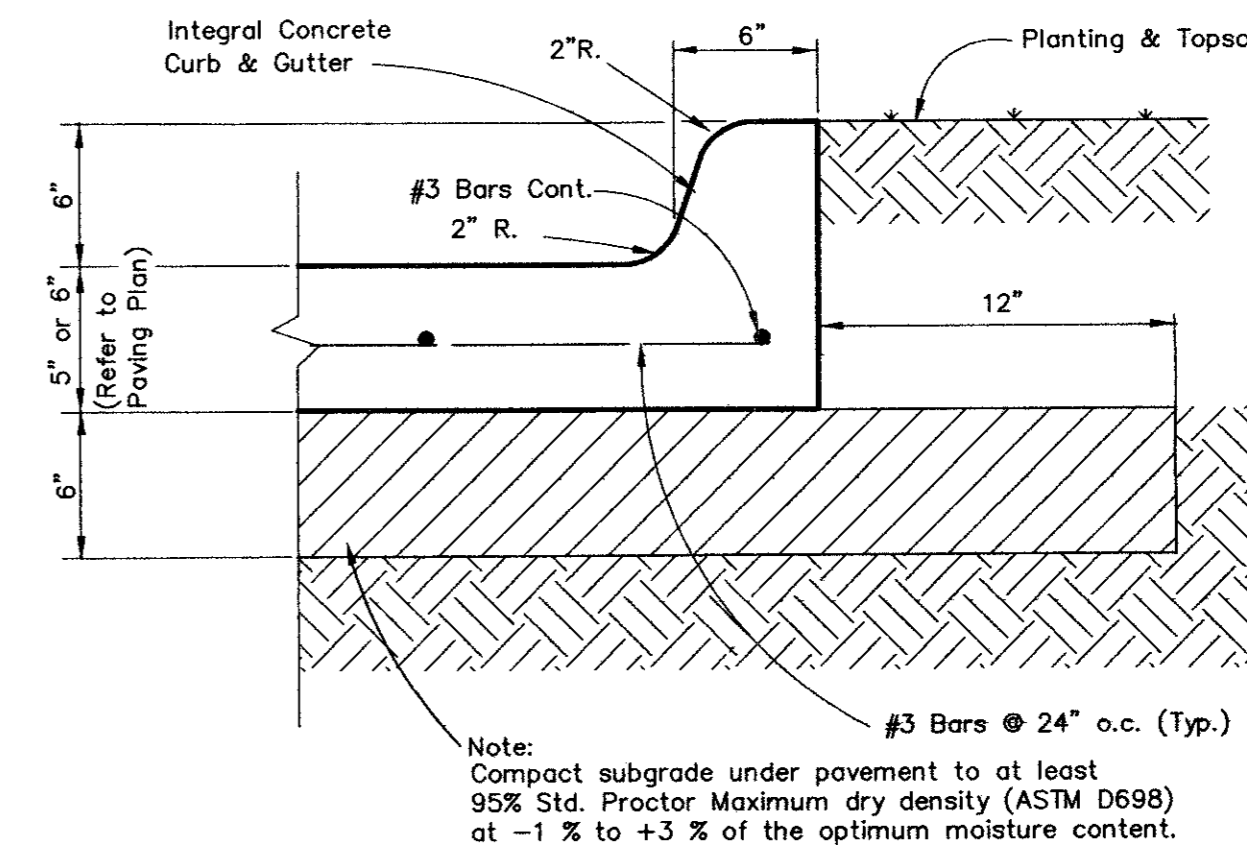
TYPICAL CURB RAMP - PLAN (ON-SITE)
1"=5'



CURB RAMP - ELEVATION (ON-SITE)
1"=5'

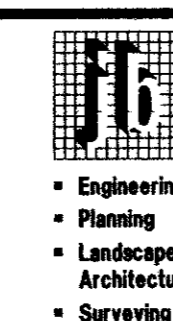
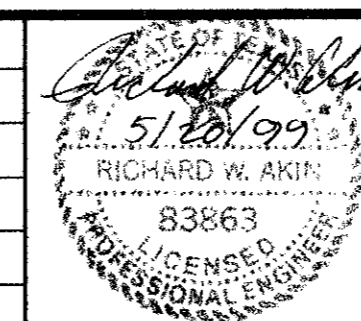


CURB DETAIL w/ WALK (ON-SITE)
N.T.S.



CURB DETAIL (ON-SITE)
N.T.S.

NO.	REVISIONS DURING CONSTRUCTION	BY	DATE	NO.	REVISIONS DURING PLAN REVIEW	BY	DATE



Jones & Boyd, Inc.
16800 Dallas Parkway, Suite 240
Dallas, Texas 75248
Tel: 972-248-7676
Fax: 972-248-1414

PAVING DETAILS
SUITES OF AMERICA
TOWN OF ADDISON,
DALLAS COUNTY, TEXAS

PROJECT NO. **BG403**
SHEET NO. **C2**

Handwritten signature and date: 2/11/00