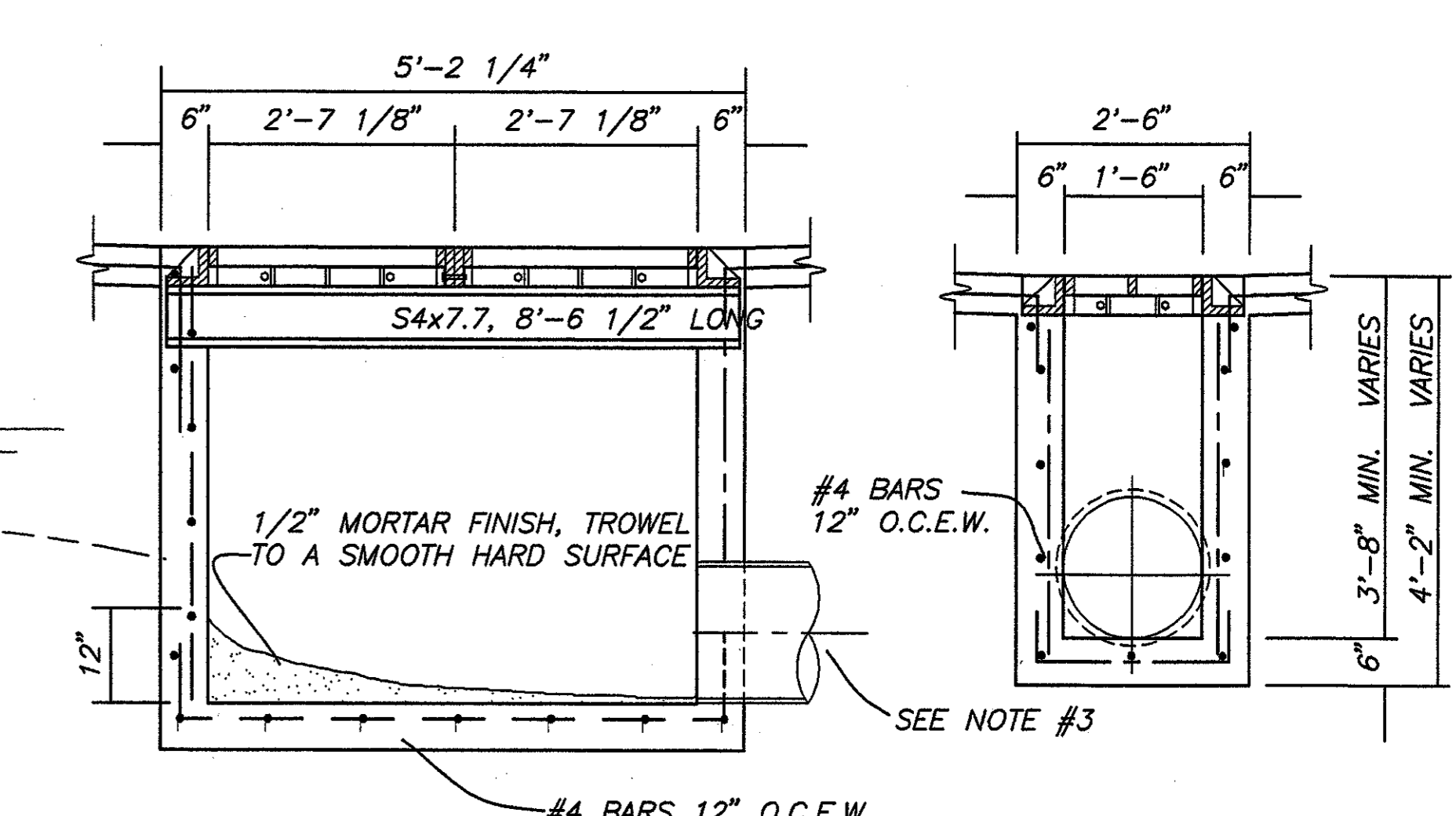
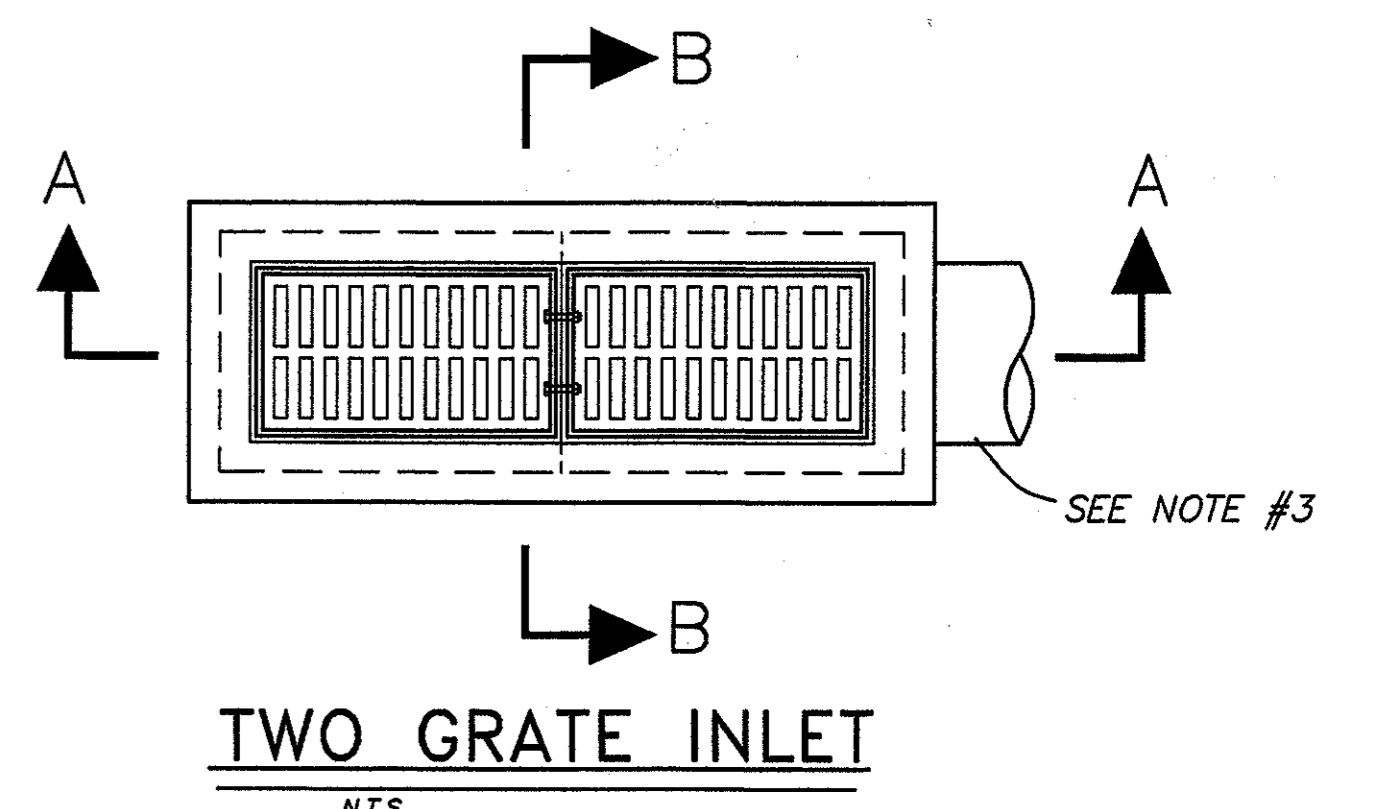
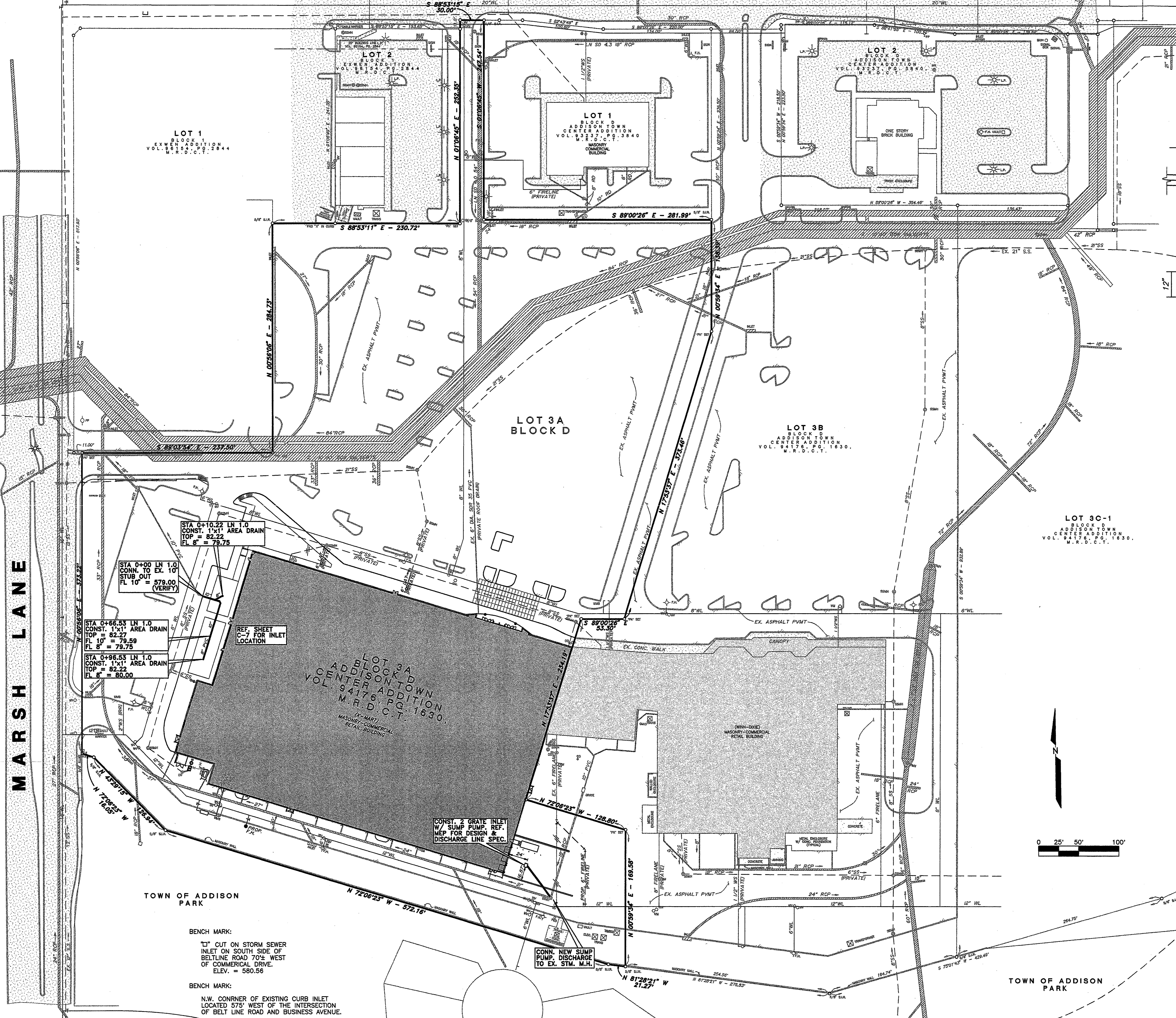


BELT LINE ROAD

BUSINESS AVE.



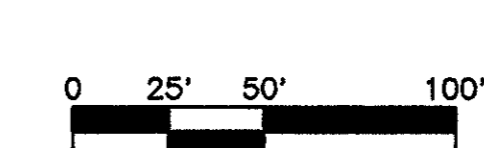
SECTION A-A SECTION B-B

- NOTES:**
1. ALL LAPS AND EXTENSIONS OF REINFORCING BARS SHALL BE 36 BAR DIAMETERS UNLESS NOTED OTHERWISE.
 2. TACK WELD GRATES IN PLACE.
 3. PIPE MAY BE PLACED IN ANY WALL, BUT SHALL NOT ENTER ANY CORNER, OR BOTTOM.

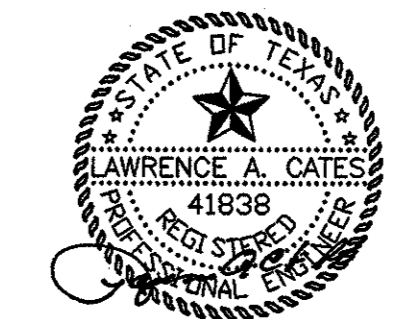
- LEGEND**
- EXIST. SANITARY SEWER
 - EXIST. WATER LINE
 - EXIST. STORM SEWER
 - PROP. STORM SEWER
 - PROP. SANITARY SEWER
 - PROP. WATER LINE

REVIEWED BY:

○ TARGET	REVIEWED BY:
SITE DEVELOPMENT MANAGER	REVISION AND RESUBMIT
PROJECT ARCHITECT	REVISION AND RESUBMIT
PROJECT ENGINEER (M)	REVISION AND RESUBMIT
PROJECT ENGINEER (E)	REVISION AND RESUBMIT
PROJECT ENGINEER (S)	REVISION AND RESUBMIT



THE SEAL APPEARING ON THIS DOCUMENT WAS AUTHORIZED BY LAWRENCE A. CATES, P.E. 41838 ON 03-07-03



DRAINAGE PLAN						
TARGET						
MARSH LANE & BELTLINE ROAD						
THE TOWN OF ADDISON, TEXAS						
LAWRENCE A. CATES & ASSOC. CONSULTING ENGINEERS DALLAS, TEXAS						
DESIGN	DRAWN	DATE	SCALE	NOTES	FILE	NO.
LAC	LAC	10/02	1"=50'	D.P.	22051 DRAINAGE	C-8

BENCH MARK:
"1" CUT ON STORM SEWER
INLET ON SOUTH SIDE OF
BELTLINE ROAD 70' WEST
OF COMMERCIAL DRIVE.
ELEV. = 580.56

BENCH MARK:
N.W. CORNER OF EXISTING CURB INLET
LOCATED 57' WEST OF THE INTERSECTION
OF BELT LINE ROAD AND BUSINESS AVENUE.

CONN. NEW SUMP
PUMP, DISCHARGE
TO EX. STM. M.H.

LOT 3A
BLOCK D
ADDISON TOWN
CENTER ADDITION
VOL. 9476, PG. 1630
M.R.D.C.T.

REF. SHEET
C-7 FOR INLET
LOCATION

STA 0+10.22 LN 1.0
CONST. 1"X1" AREA DRAIN
TOP = 82.22
FL 8" = 79.75

STA 0+00 LN 1.0
CONN. TO EX. 10"
STUB OUT
FL 10" = 579.00
(VERIFY)

STA 0+66.53 LN 1.0
CONST. 1"X1" AREA DRAIN
TOP = 82.27
FL 10" = 79.59
FL 8" = 79.75

STA 0+86.53 LN 1.0
CONST. 1"X1" AREA DRAIN
TOP = 82.22
FL 8" = 60.00

TOWN OF ADDISON
PARK

TOWN OF ADDISON
PARK