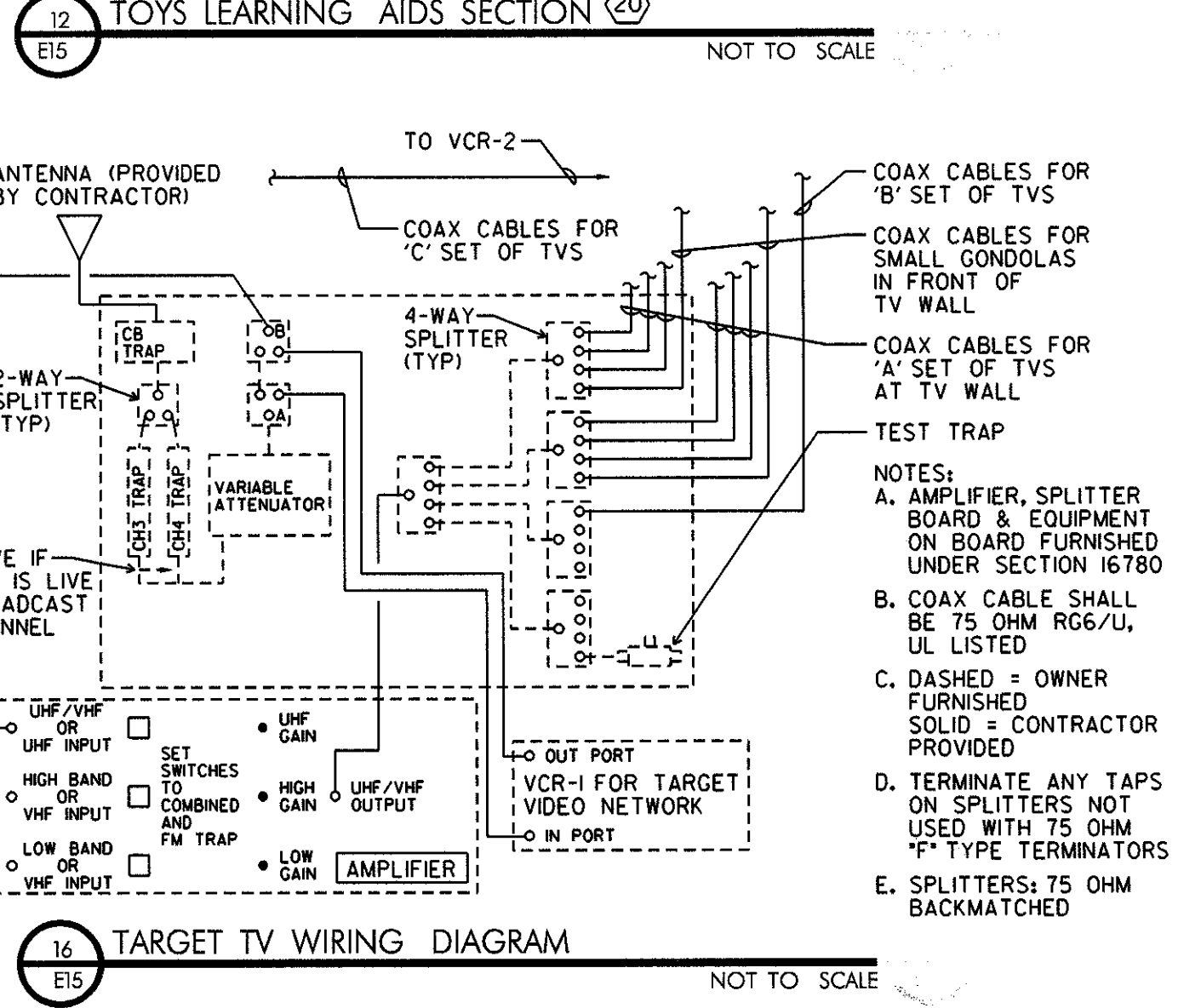
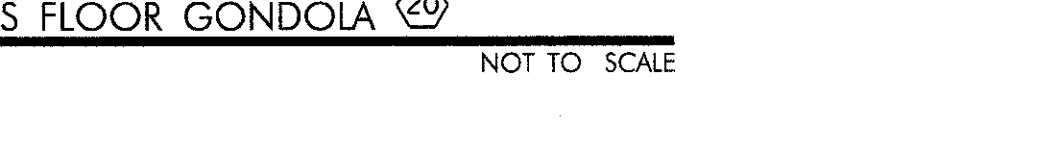
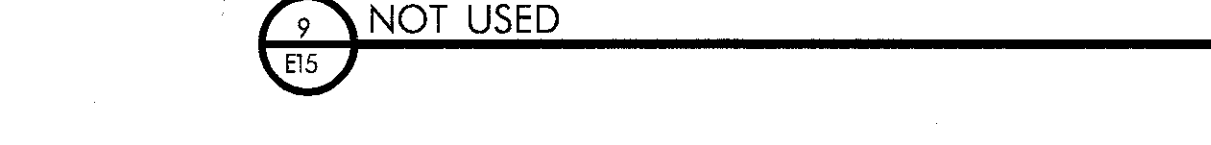
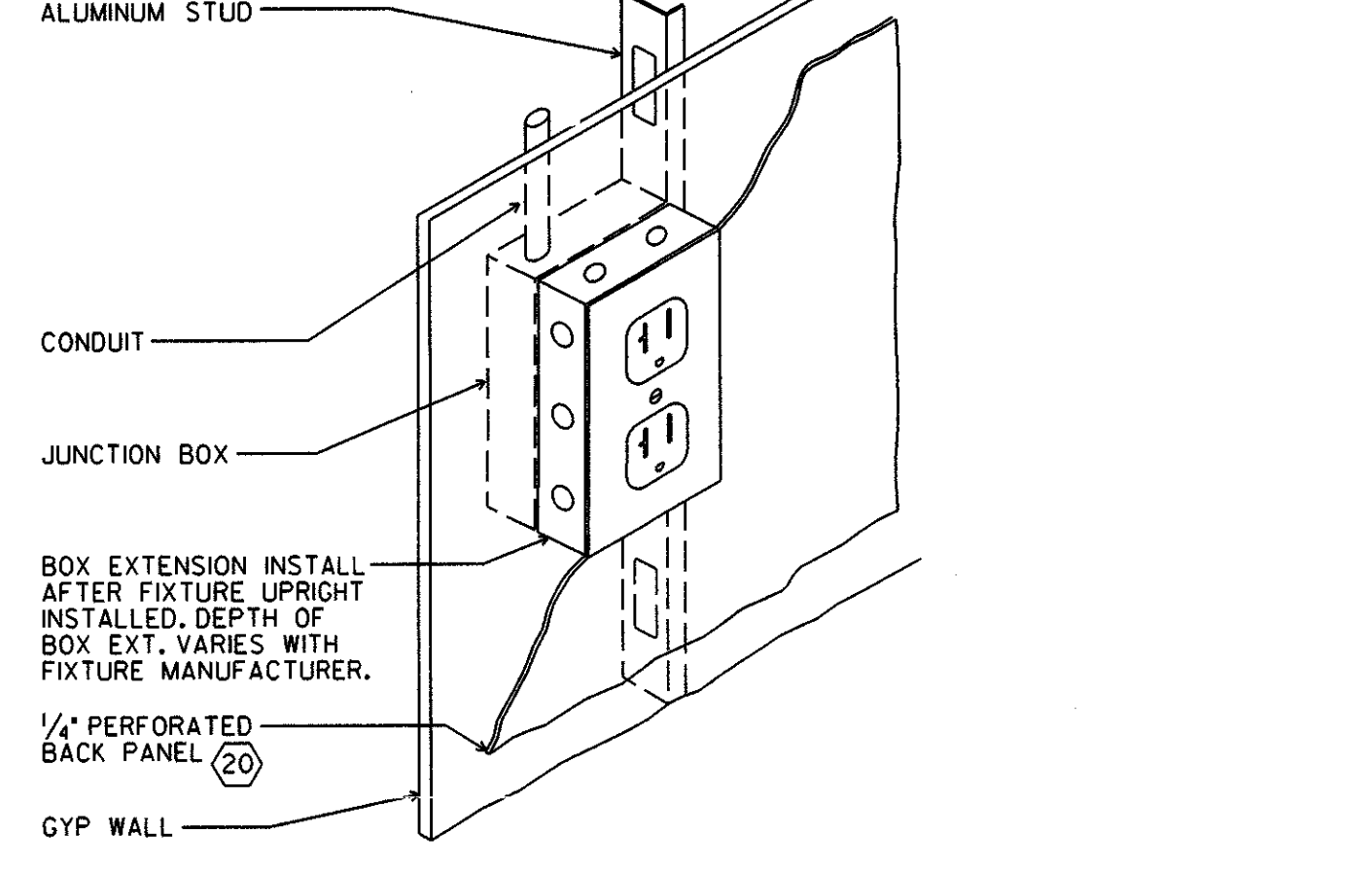
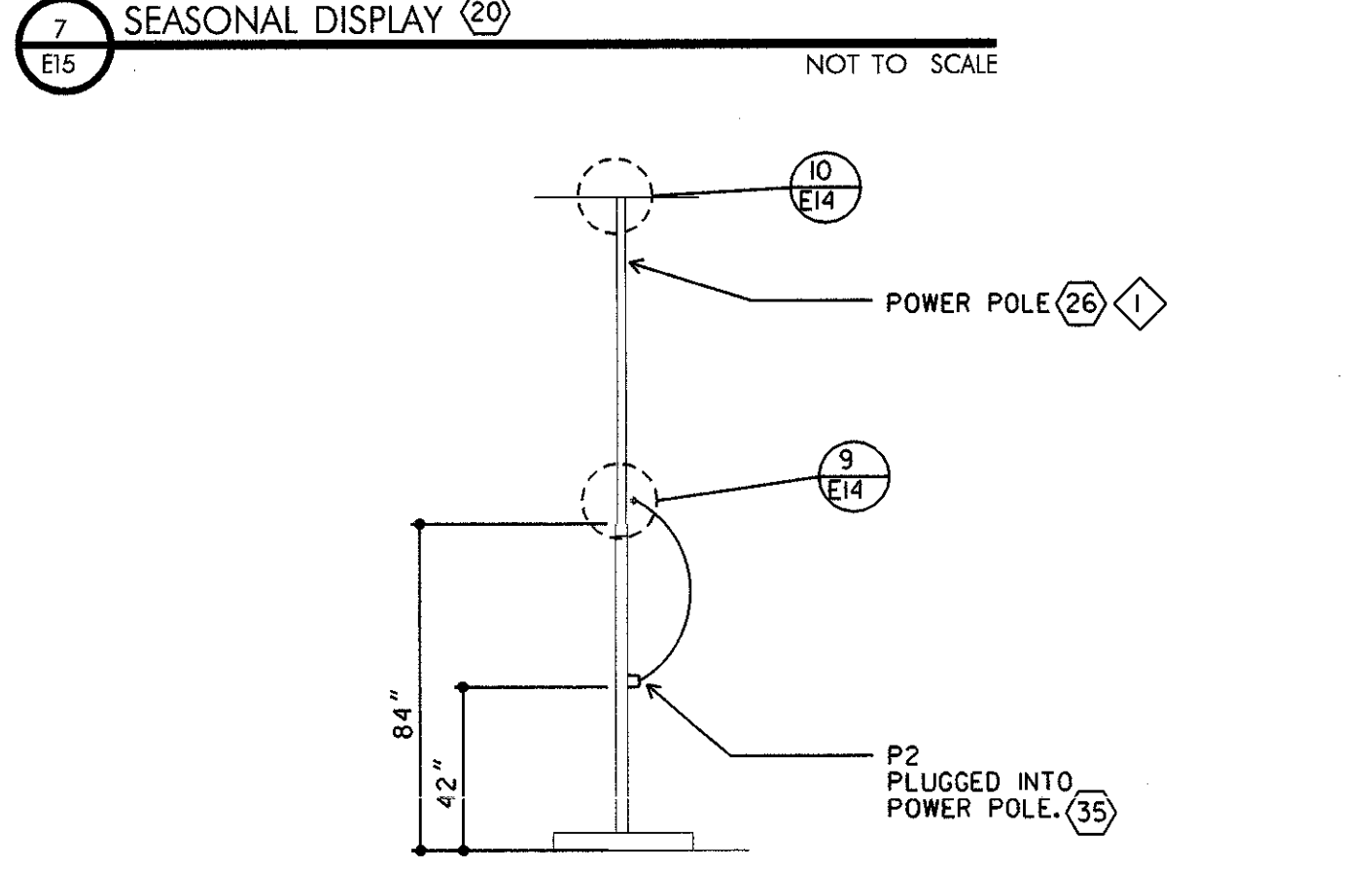
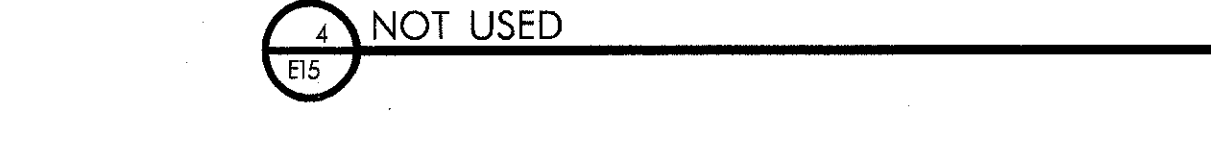
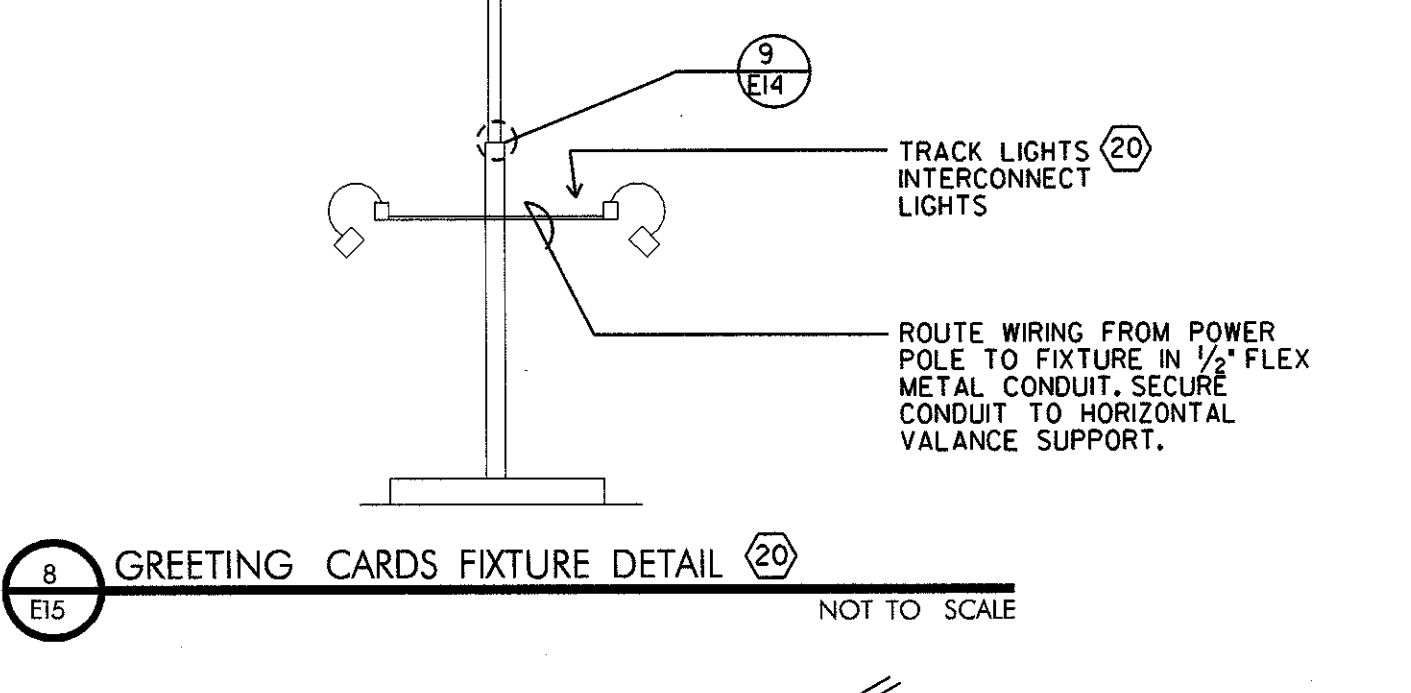
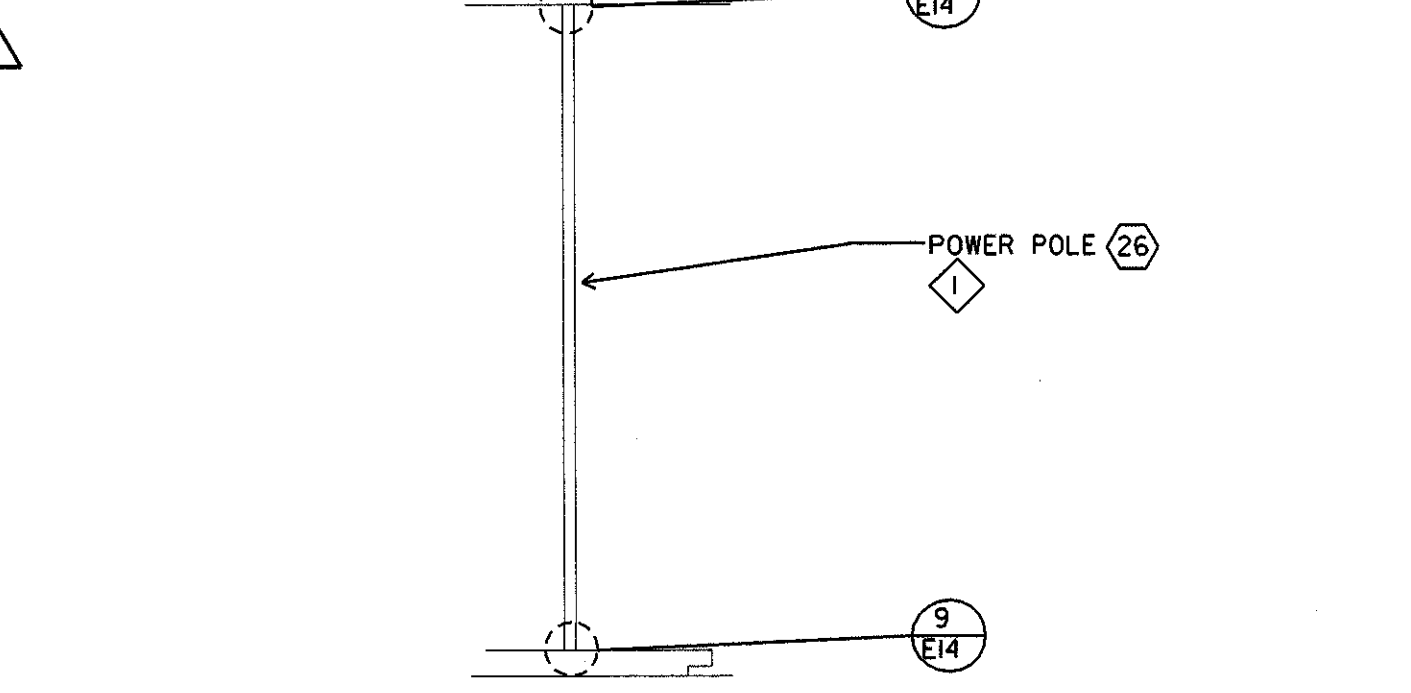
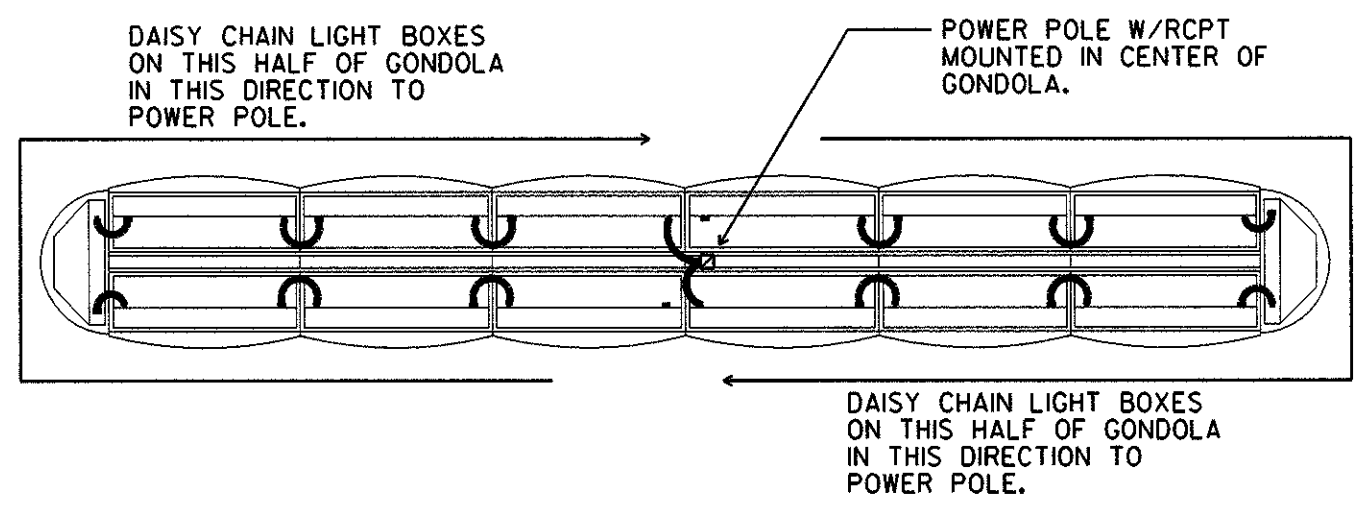
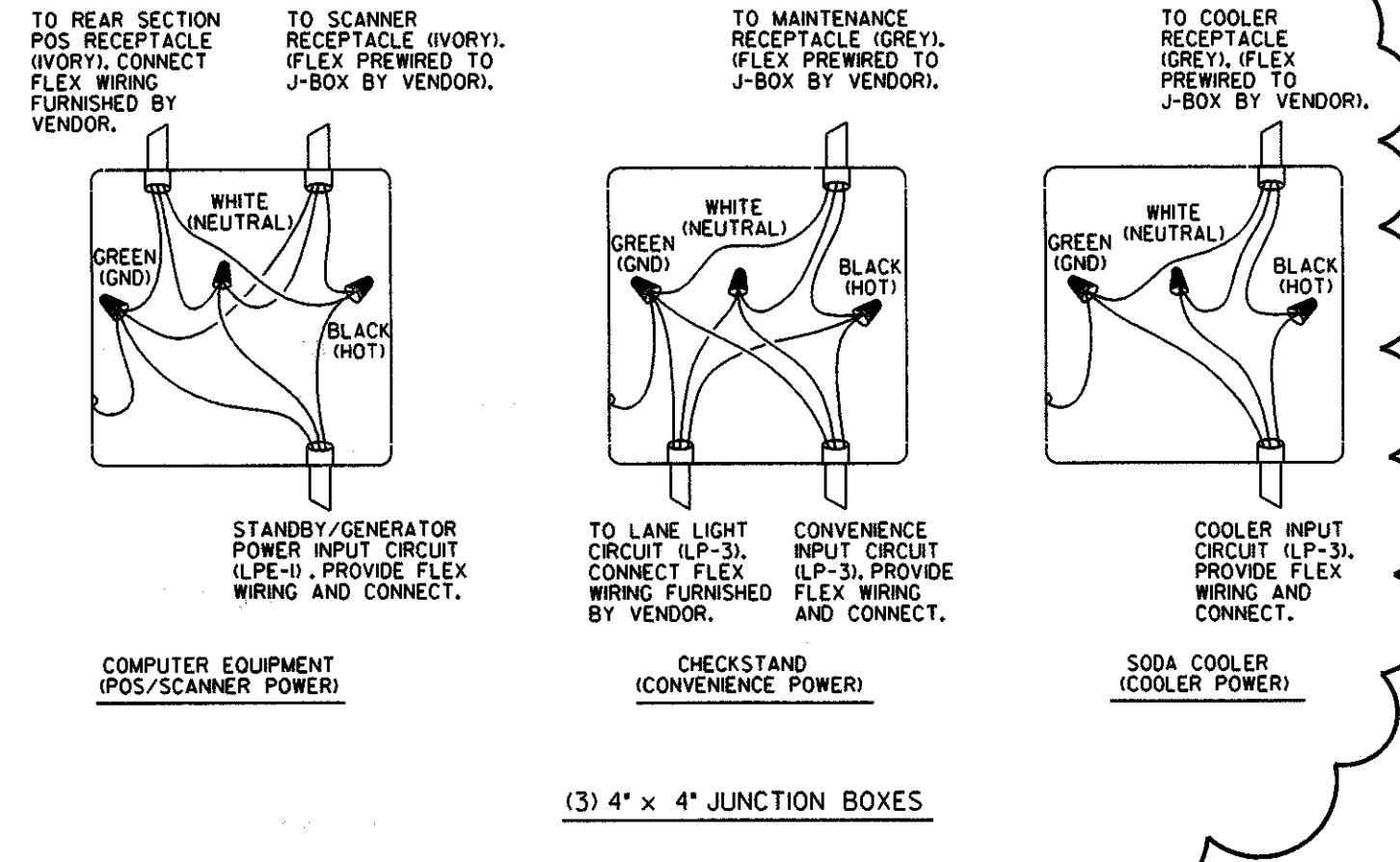


CHECKLANE GENERAL NOTES:

- CHECKLANE FURNISHED WITH JUNCTION BOXES, DEVICES & WIRING AS INDICATED.
- TELEPHONE AND POS DATA CABLE BY OTHERS. (34)
- CHECKLANE POWER POLE, SWITCHES, FLEX WIRING, LIGHT SOCKETS & SIGN MOUNTING BRACKET FURNISHED BY POWER POLE VENDOR (ALTHOUGH, SIGN FURNISHED BY SIGN VENDOR (O & P LIGHTING)).
- PASS-THRU COVER FURNISHED BY CHECKLANE VENDOR.
- COMPACT CHECKLANE FURNISHED WITH DEVICES & WIRING AS INDICATED ON (E15).
- GREY CHECKLANE INDICATES NORMAL POWER FED FROM L.P.-3. IVORY CIRCUIT INDICATES STANDBY/GENERATOR POWER FED FROM L.P.E.-1.
- (1) LABELED JUNCTION BOXES (FULL SIZE CHECKLANE) AND (2) LABELED JUNCTION BOXES (COMPACT CHECKLANE) FURNISHED AND MOUNTED ON SIDE PANEL OF CHECKLANE BY CHECKLANE VENDOR.

CHECKLANE KEY NOTES:

- INSTALL CHECKLANE SIGN PRIOR TO INSTALLATION OF POWER POLE TO CHECKLANE. ONCE SIGN IS INSTALLED, INSTALL AND SECURE BOTTOM OF POWER POLE TO CHECKLANE WITH MOUNTING BRACKET FURNISHED BY POWER POLE VENDOR. SECURE TOP OF POWER POLE PER DETAIL (E14).
- PROVIDE FLEX WIRING AND ROUTE VIA POWER SECTION OF POWER POLE AND MAKE CONNECTIONS IN LABELED JUNCTION BOXES INSIDE OF CHECKLANE.
- UNICOIL VENDOR FURNISHED FLEX WIRING AND ROUTE FROM REAR SECTION OF CHECKLANE, UNDER PASS-THRU COVER AND MAKE CONNECTION IN COMPUTER EQUIPMENT (CLEAN POWER) JUNCTION BOX INSIDE OF CHECKLANE.
- PROVIDE HARDWARE CONNECTION IN CHECKLANE CONVENIENCE POWER (DIRTY POWER) JUNCTION BOX INSIDE OF CHECKLANE.
- DEVICE & FLEX WIRING FURNISHED & PREWIRED AT DEVICE BY CHECKLANE VENDOR. PROVIDE CONNECTIONS IN LABELED JUNCTION BOXES INSIDE OF CHECKLANE.
- DEVICE & FLEX WIRING FURNISHED & PREWIRED BY CHECKLANE VENDOR.
- JUNCTION BOXES FURNISHED AND INSTALLED BY CHECKLANE VENDOR, PROVIDE CONNECTIONS INSIDE LABELED JUNCTION BOXES INSIDE OF CHECKLANE.



GENERAL NOTES

- PROVIDE AMPLE WHIP LENGTH TO ALLOW FOR INSTALLATION AND REMOVAL OF STORE FIXTURES

LEGEND FOR SHEET E15

SERVICE REQUIRED AT POWER POLE/FLOOR OUTLET

- 120V CONVENIENCE POWER
- 120V CONVENIENCE POWER & ANTENNA OR TELEPHONE
- 120V CONVENIENCE POWER, 120V EPOS POWER, EPOS DATA AND TELEPHONE.

OWNER PROVIDED EQUIPMENT

- 20 STORE FIXTURE/GONDOLA
- 26 POWER POLE
- 30 TELEPHONE SYSTEM
- 34 EPOS SYSTEM

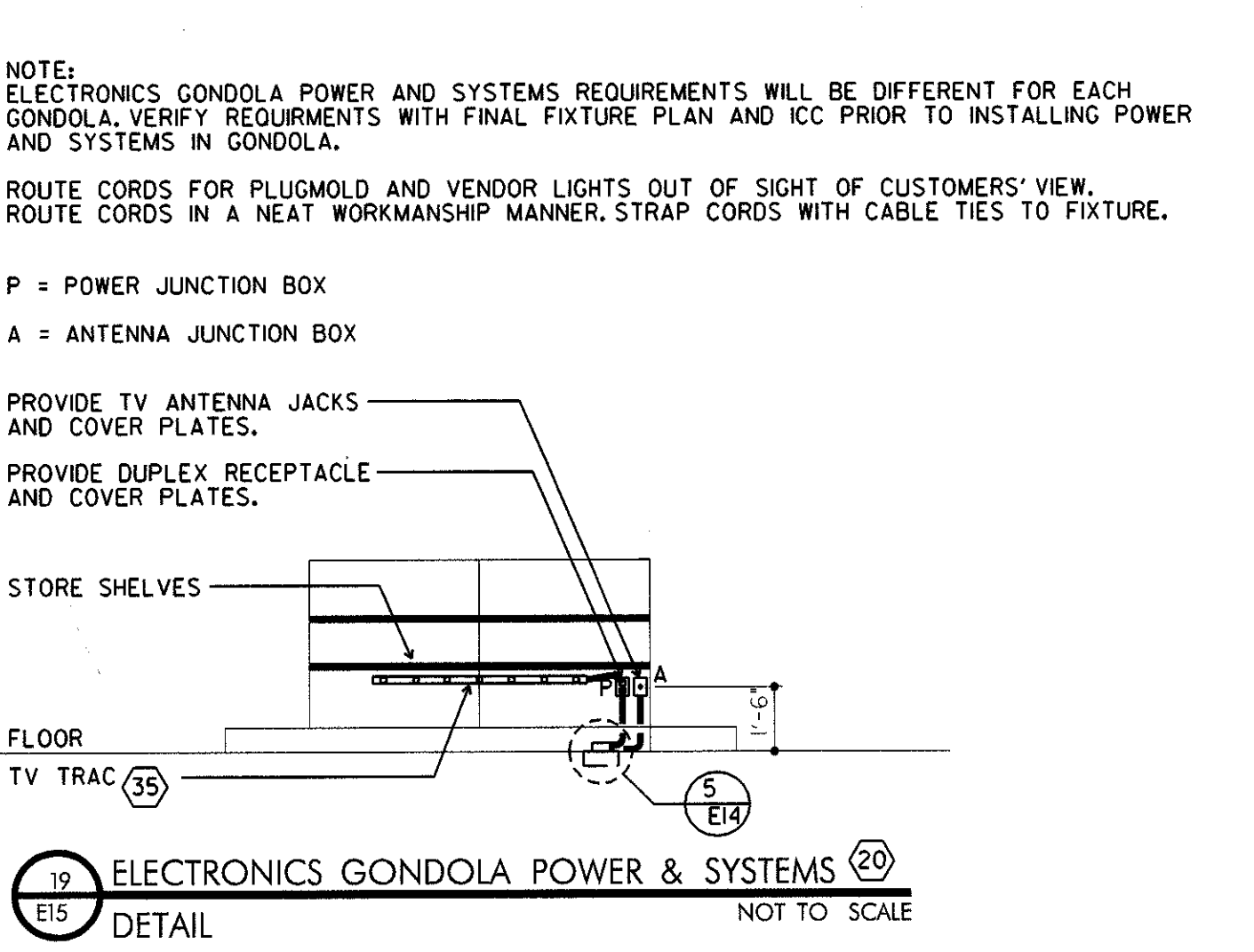
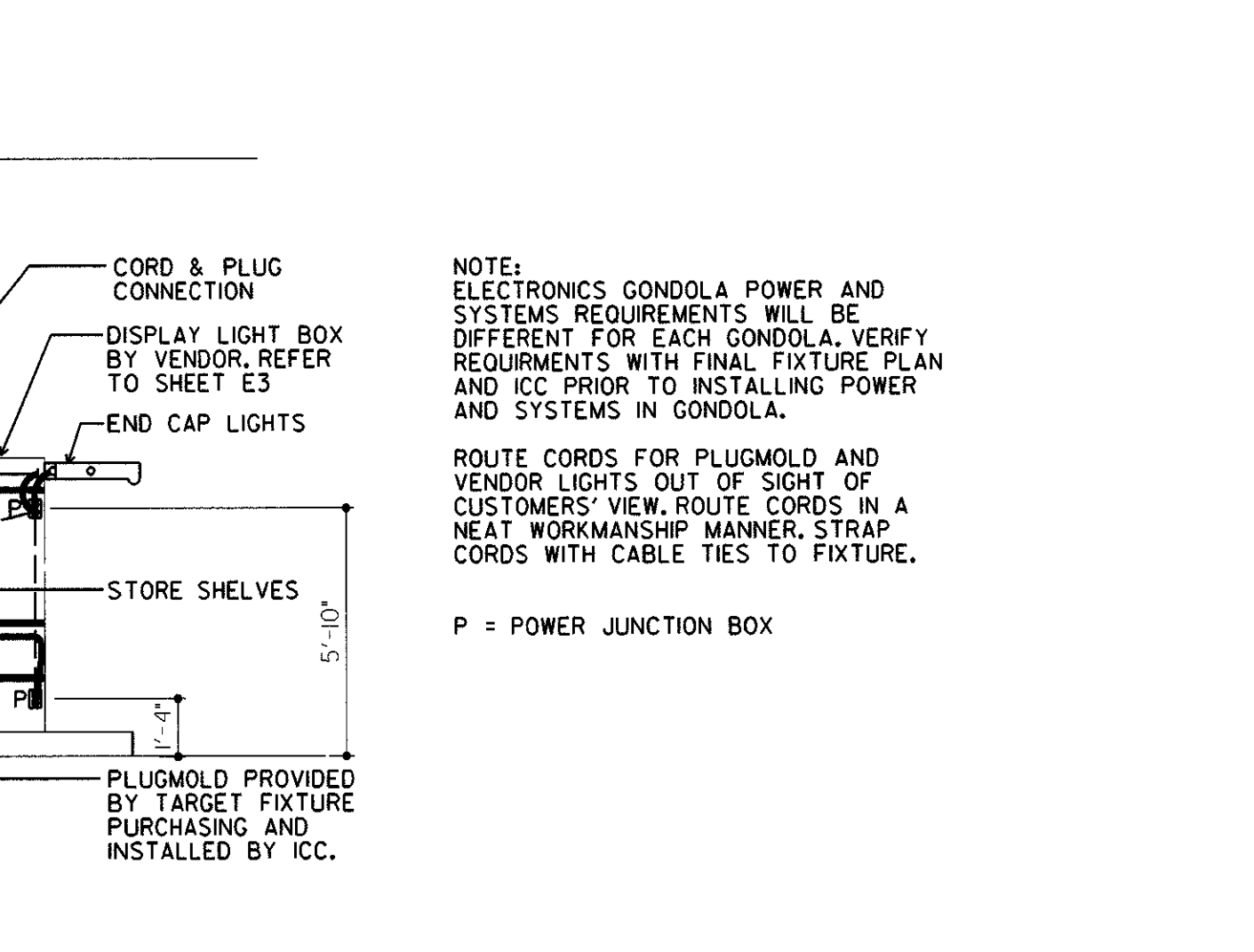
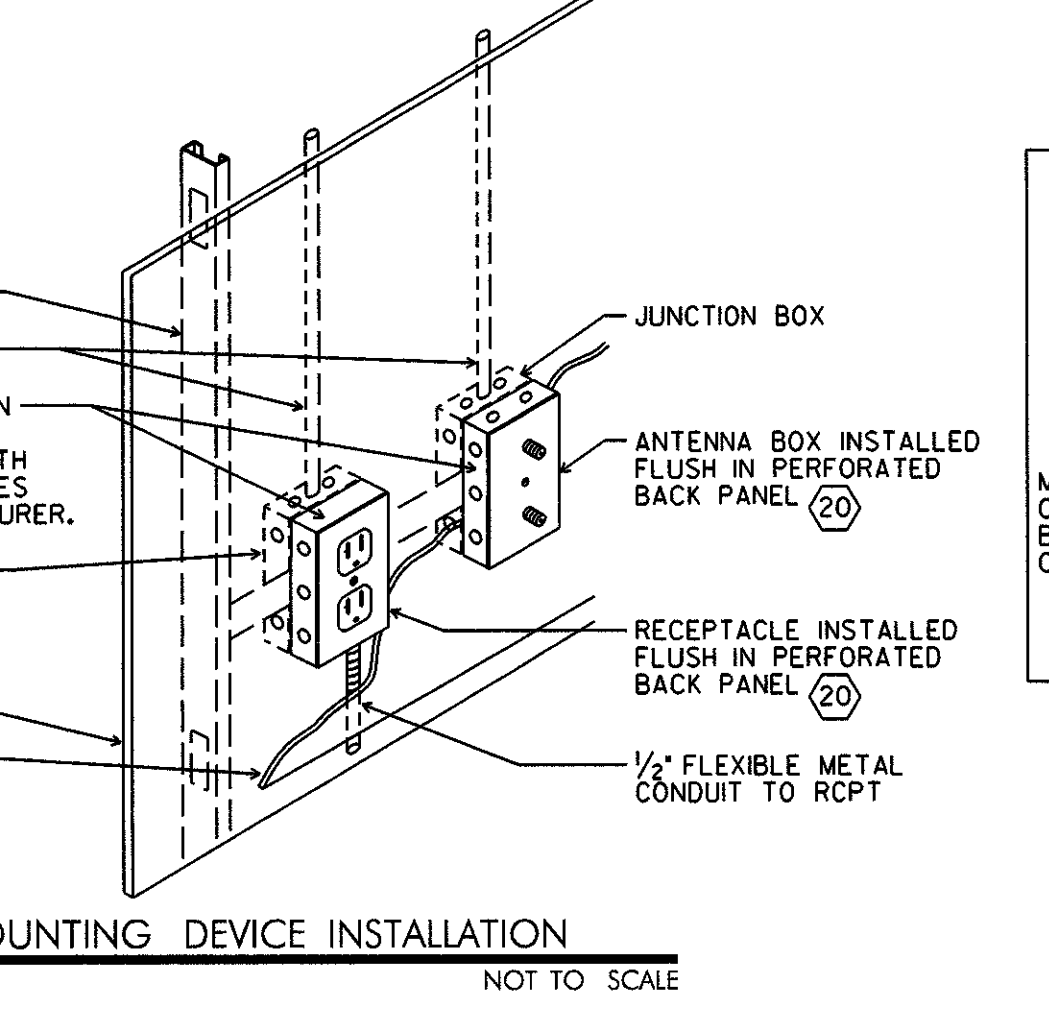
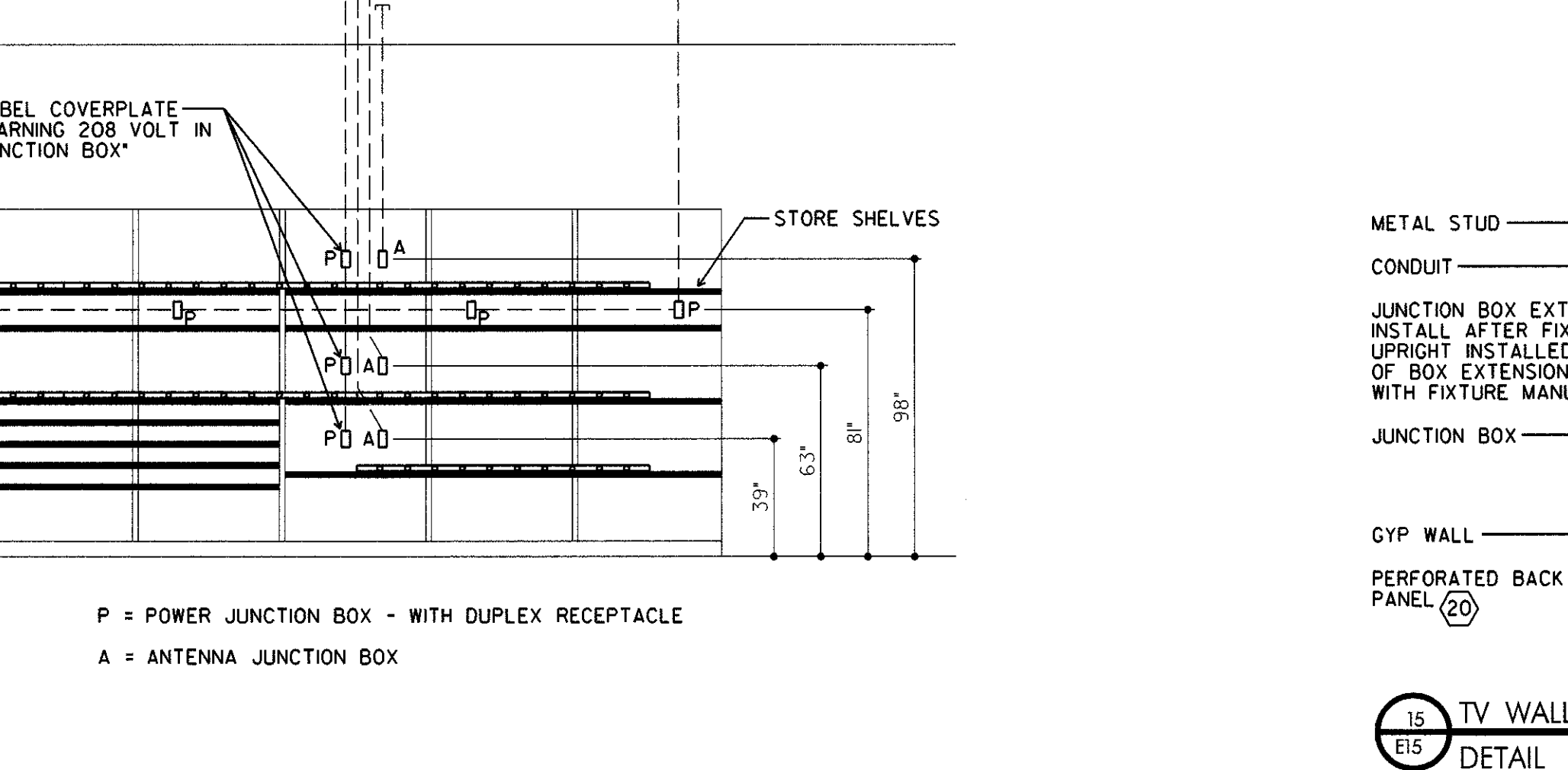
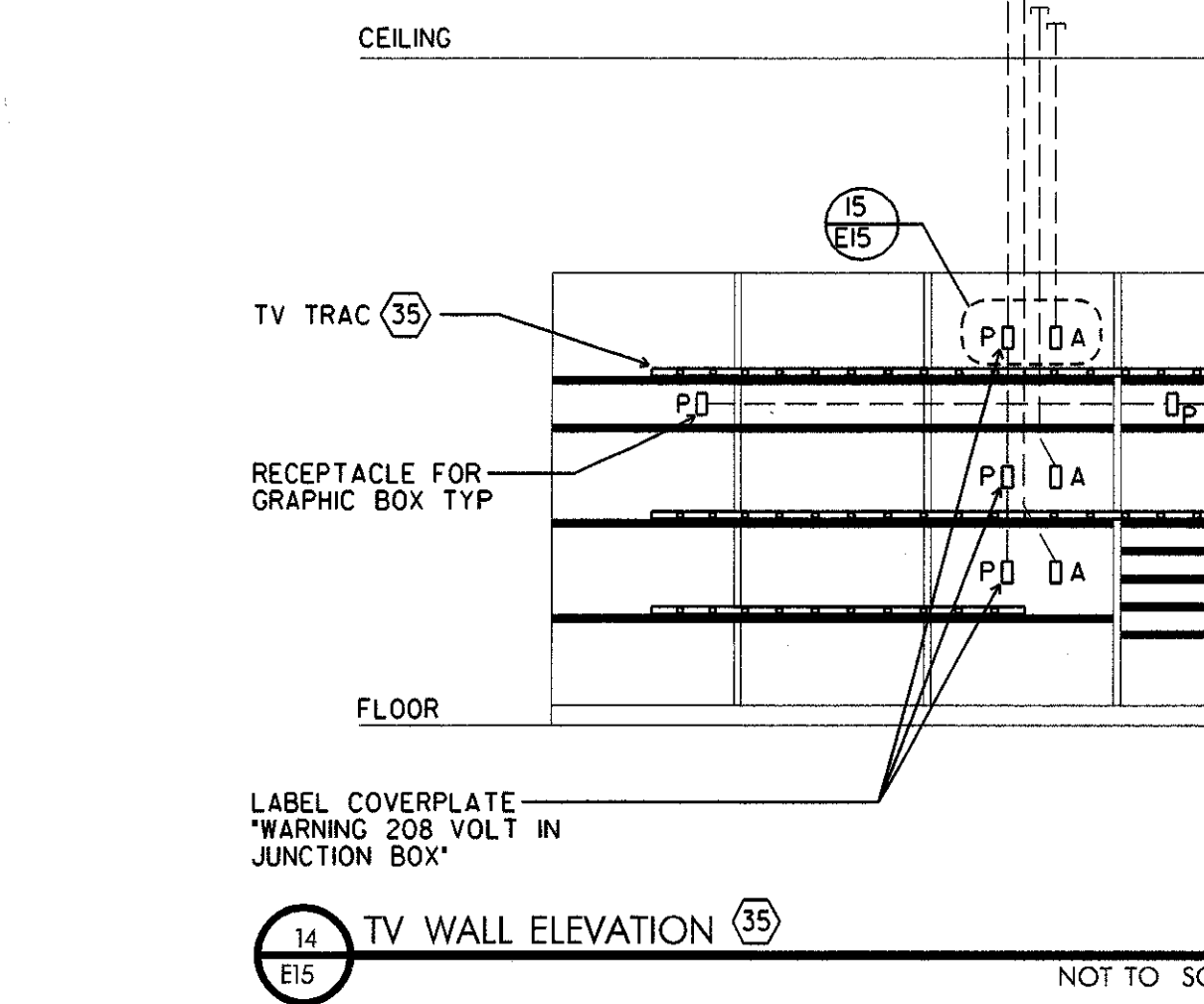


Photo Mar '04 cycle files
MCE
G:\Dwg\18183900\wvnd015.dgn
04/20/03

TARGET
TARGET STORES
A DIVISION OF
TARGET BRANDS, INC.
1000 NICOLET WALK
MINNEAPOLIS, MINNESOTA 55403
FAX: (612) 761-3322

ES&P Architects
1220 Metropolitan Avenue, Suite 200
Minneapolis, MN 55402
TEL: (612) 338-9941
FAX: (612) 338-9941

COMBITE CONSTRUCTION
17 FEBRUARY 2003
2-17-03
4-25-03
17 FEBRUARY 2003
2-17-03
4-25-03
17 FEBRUARY 2003
2-17-03
4-25-03

T-1850 P2001
PROJECT CODE: 21850
LL

ADDISON TX
SEC. BELT LINE ROAD & MARSH LANE
ADDISON, TX 75244

SALES FLOOR FIXTURE ELECTRICAL DETAILS

E15