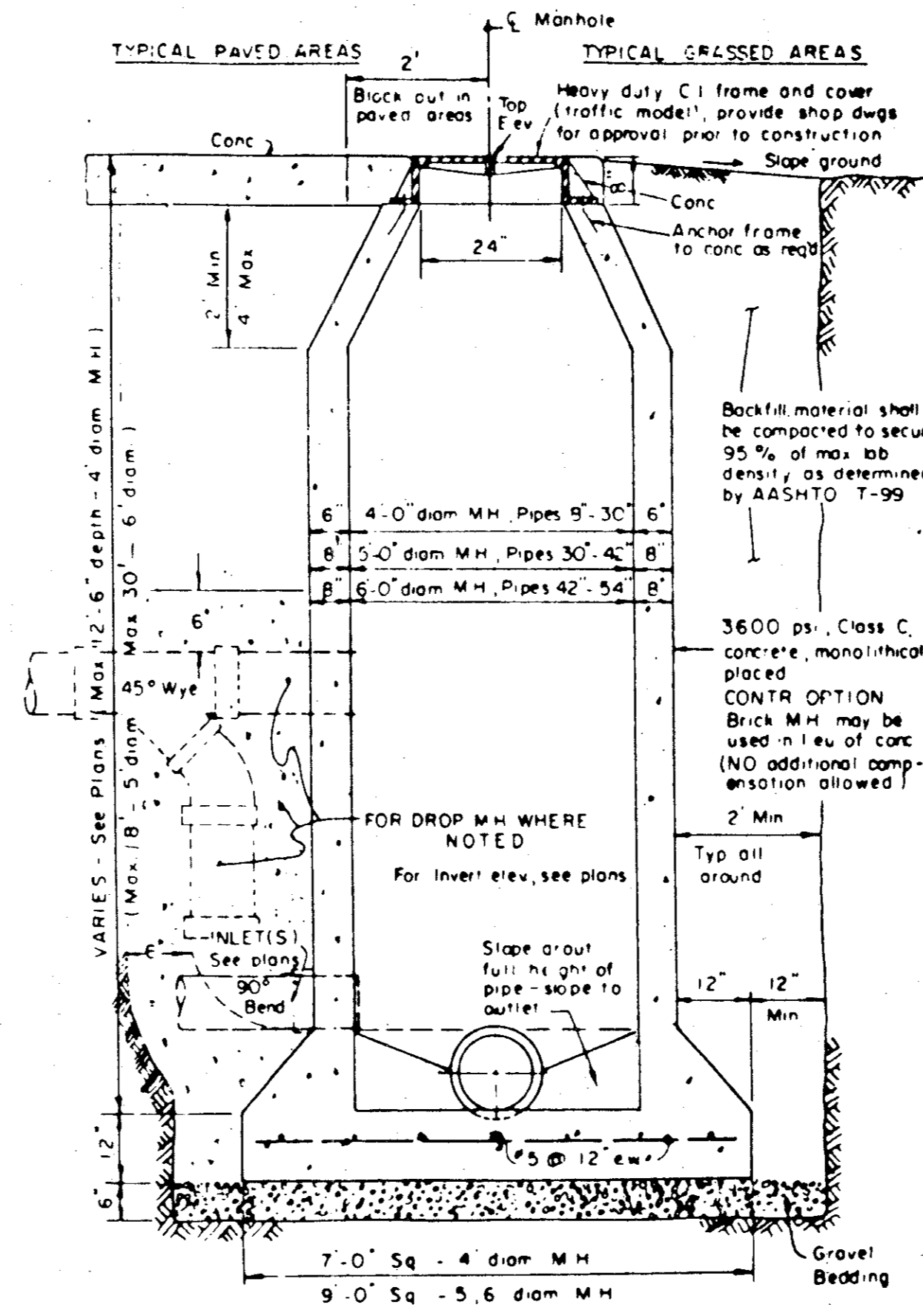
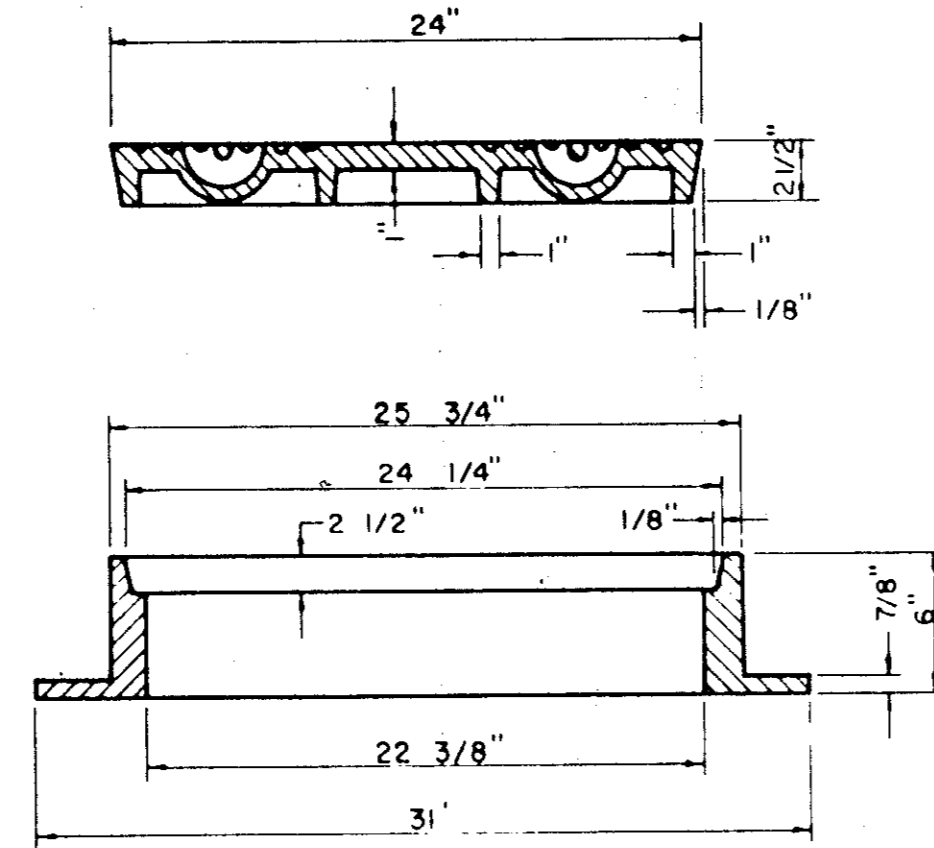


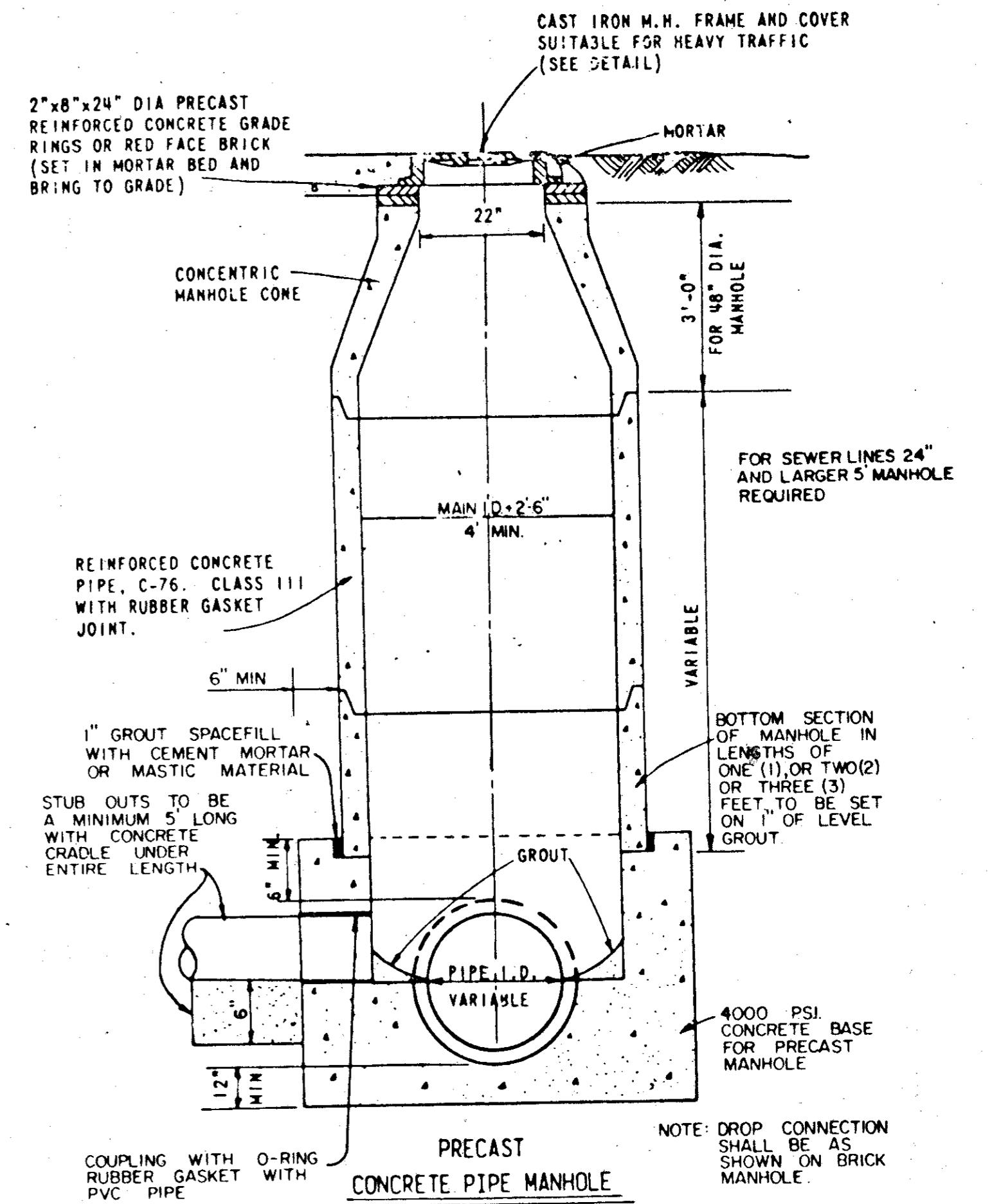
APPROX WEIGHT  
RING AND COVER  
385 LBS.

CAST IRON GRATE AND FRAME DETAIL

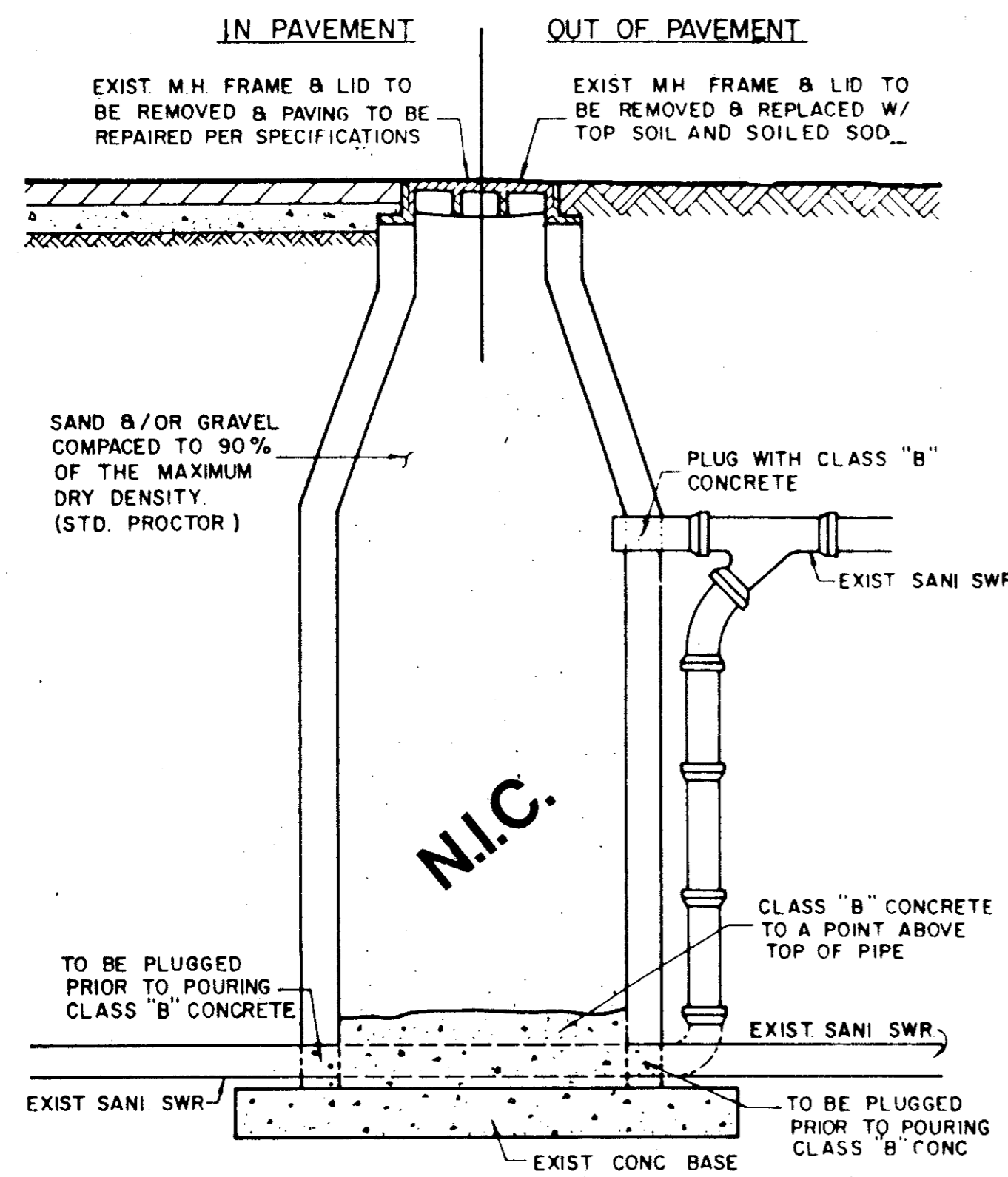


CAST IN PLACE MANHOLE

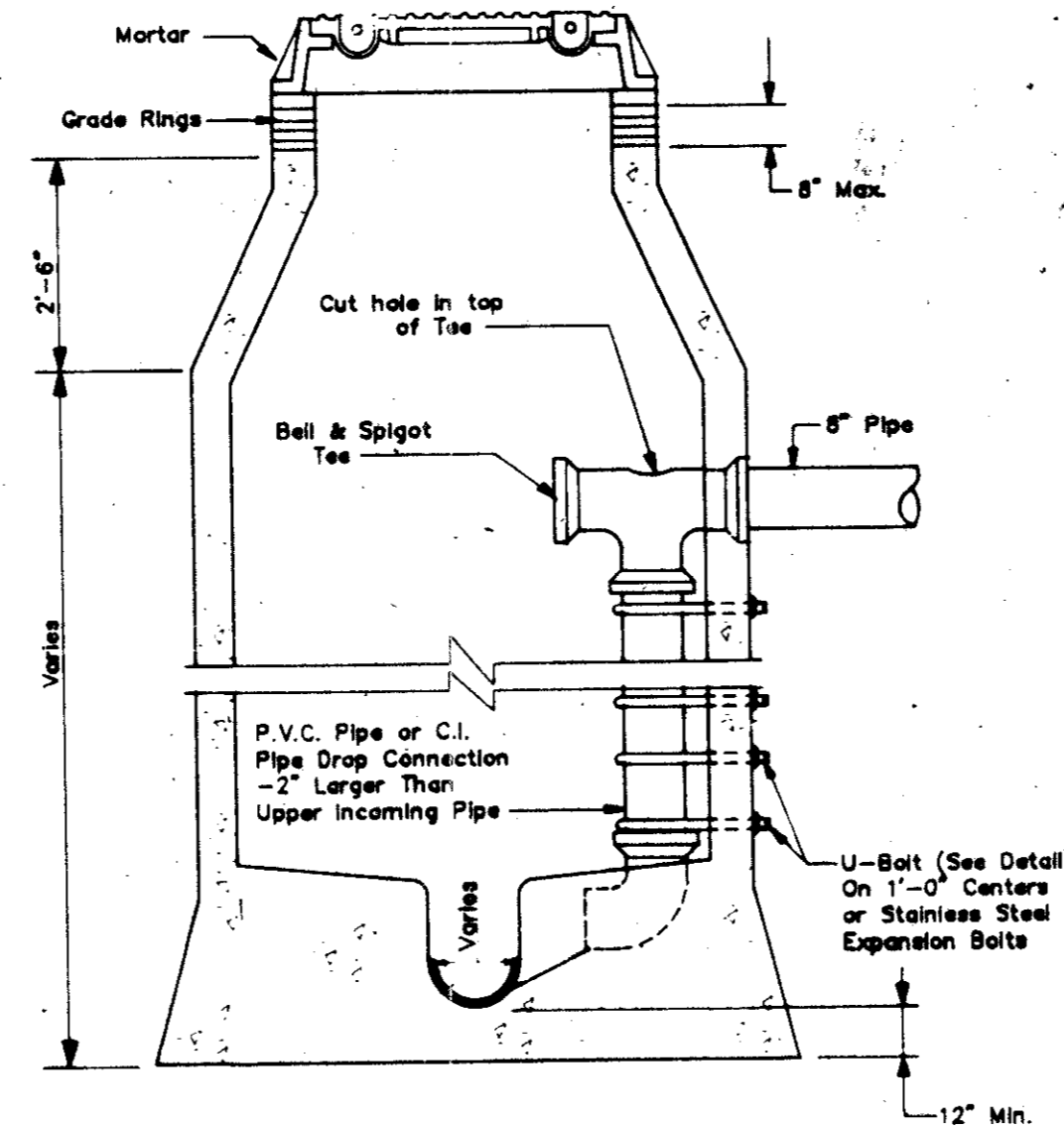
WHERE DROP M.H. IS REQUIRED, USE INSIDE DROP CONNECTION AS PER TOWN OF ADDISON STANDARDS.



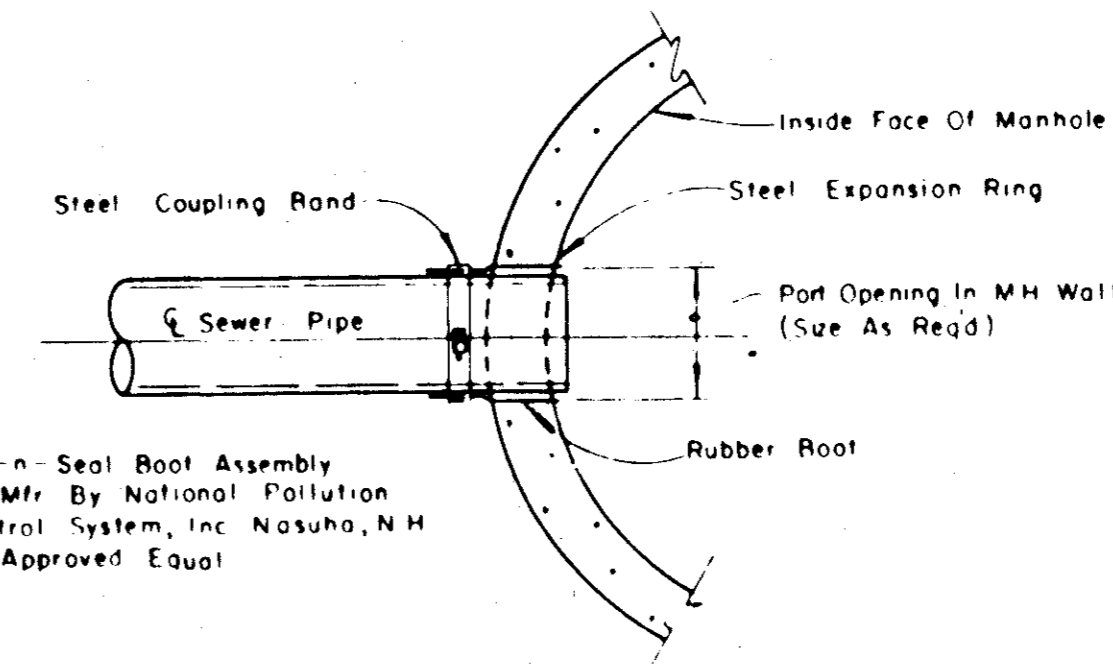
PRECAST MANHOLE



ABANDONMENT OF EXISTING MANHOLE  
IN AND OUT OF PAVEMENT

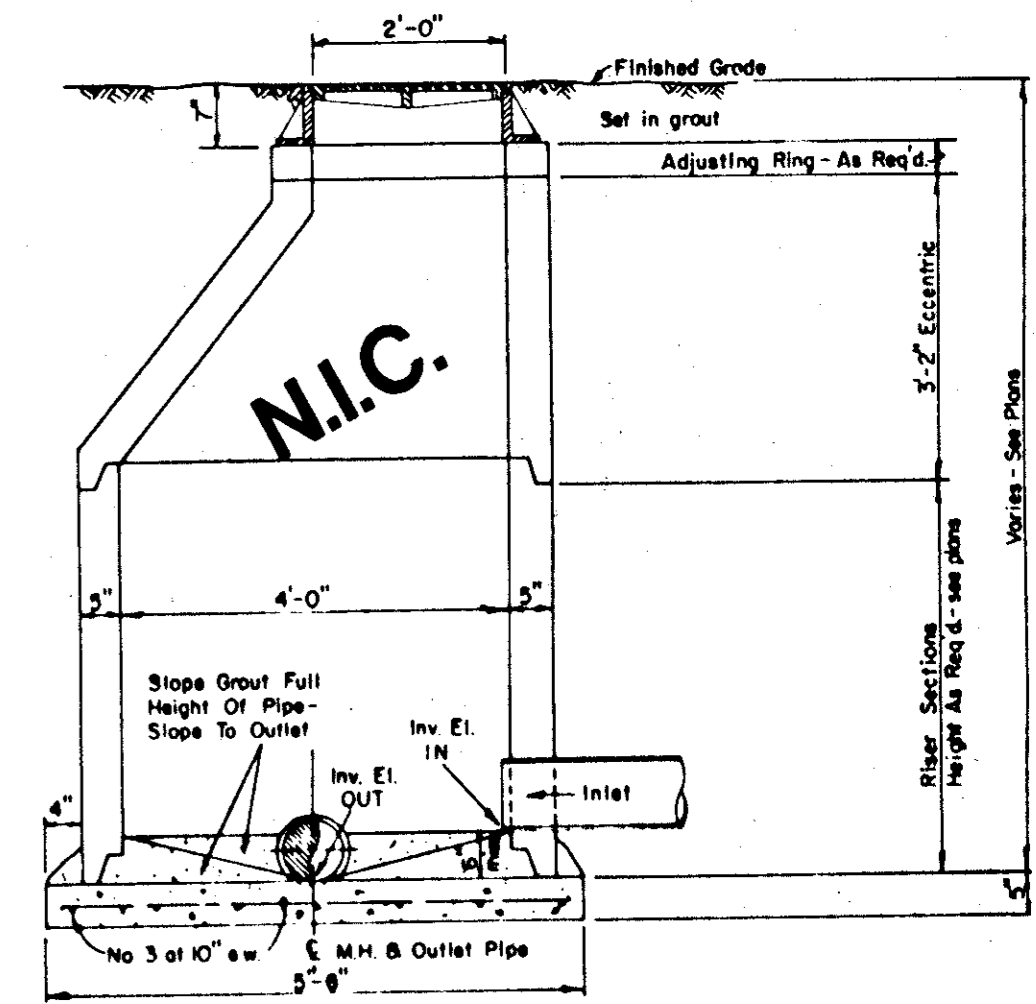


DROP CONNECTIONS FOR  
SANITARY SEWER MANHOLES



TYPICAL SEWER  
CONNECTION AT MANHOLE

CLASS B Conc. - 2000psi at 28 days (Compressive)



ECCENTRIC MANHOLE DETAIL

NOTE  
Contractor To Install Kor-n Seal Root Assembly Per Mfr. Recommendations In A Neat And Workman-Like Manner

TOWN OF ADDISON, TEXAS  
DEPARTMENT OF ENGINEERING  
STANDARD CONSTRUCTION DETAILS  
SANITARY SEWER  
MANHOLES AND CONNECTIONS

Designed -	Drawn -	Date -	Job No -
Approved -	Checked -	Scale -	Sheet SD-2