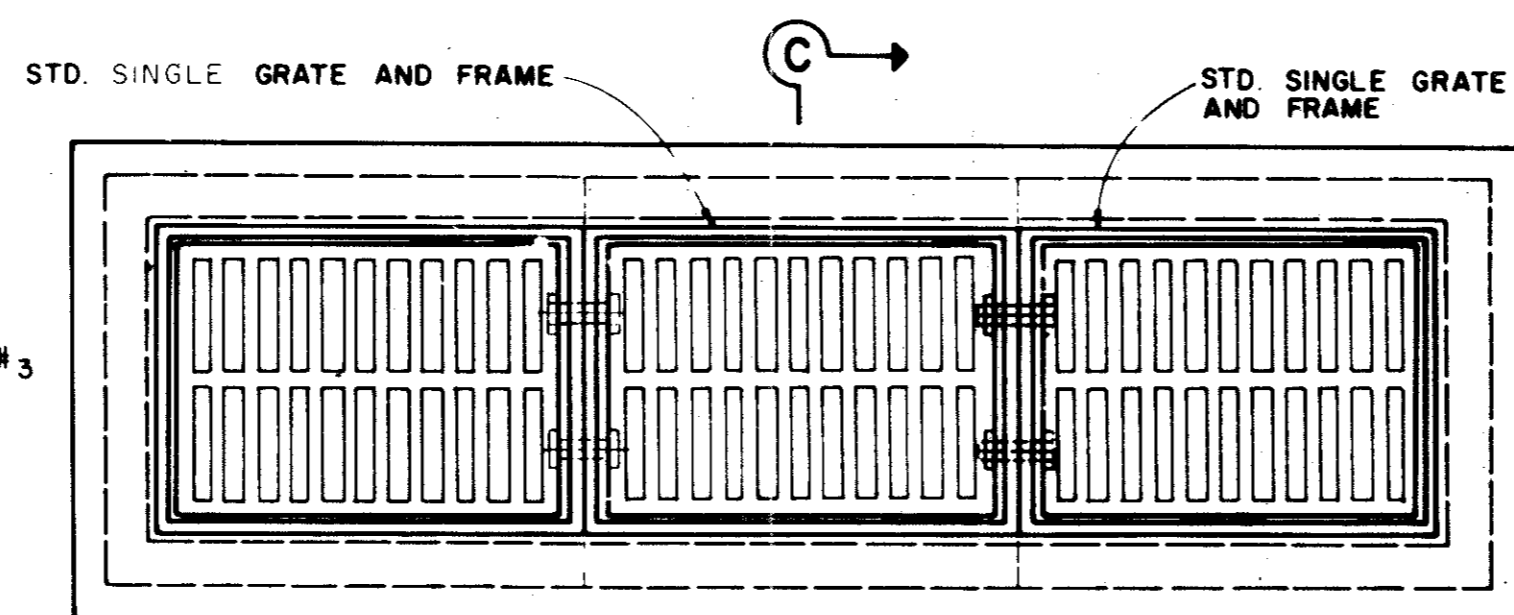
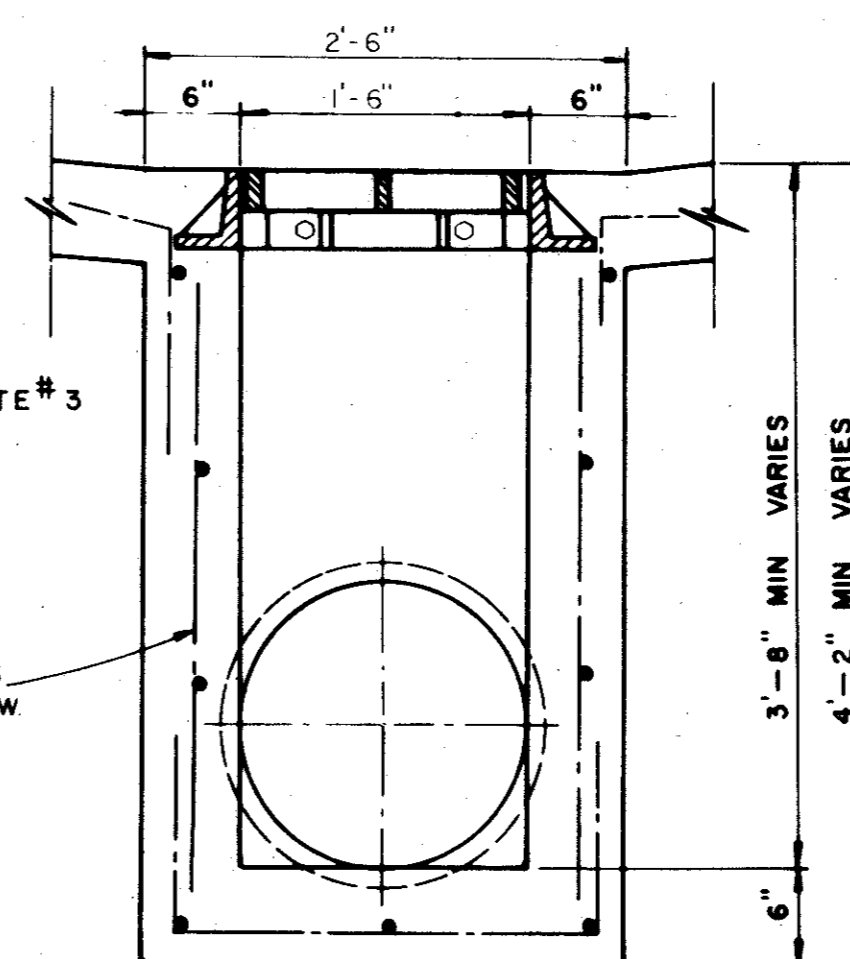


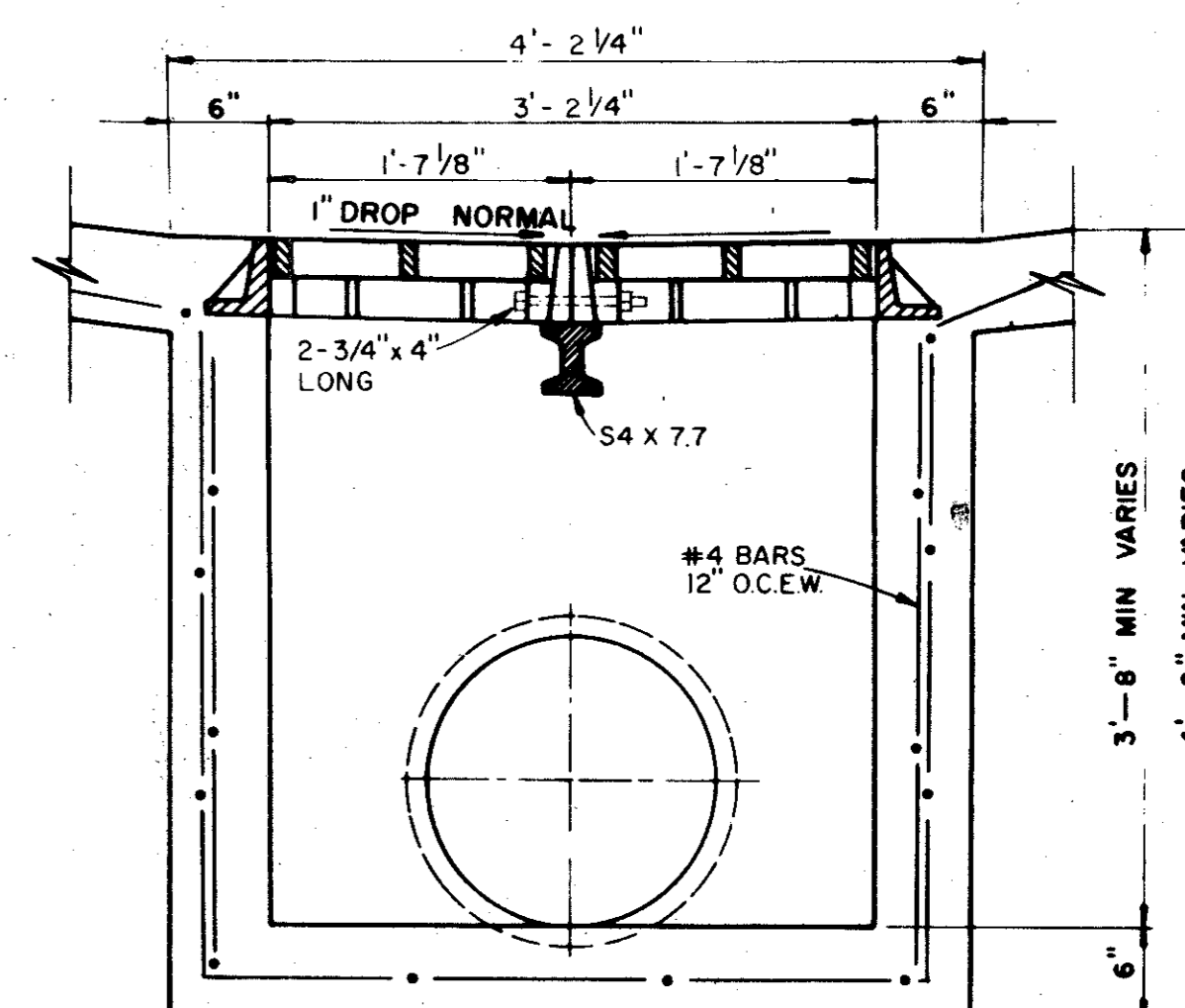
TWO GRATE INLET



THREE GRATE INLET

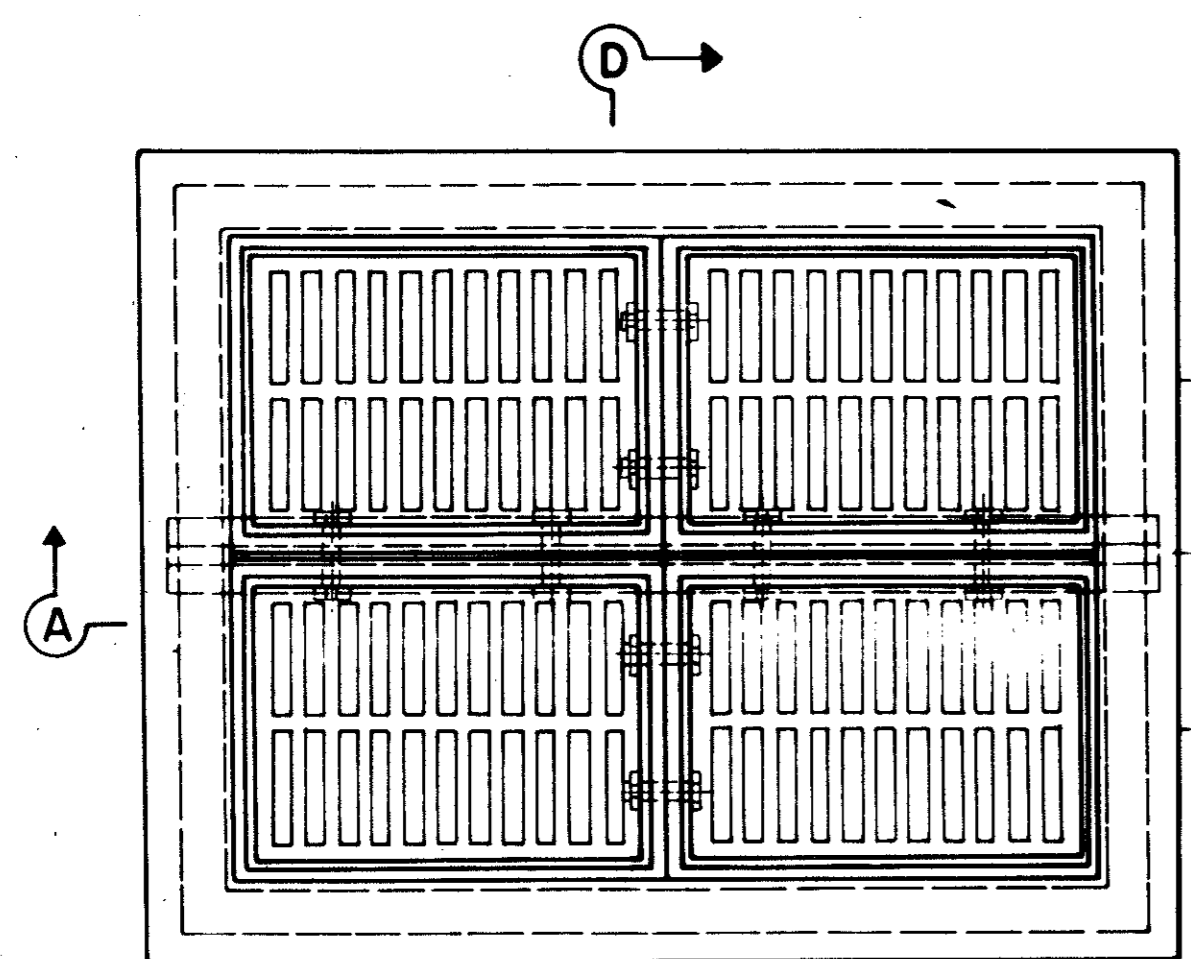


SECTION C-C

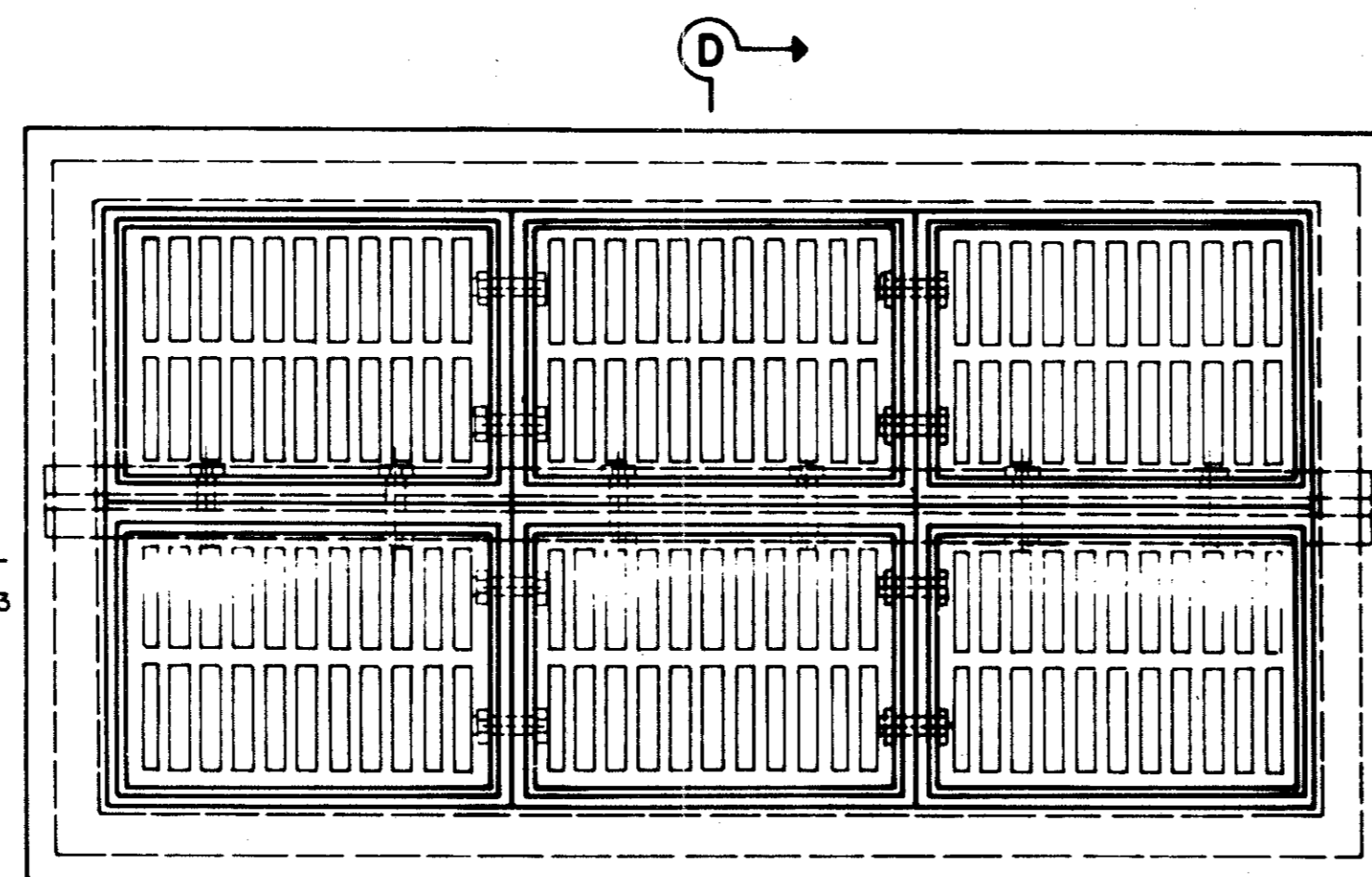


SECTION D-D

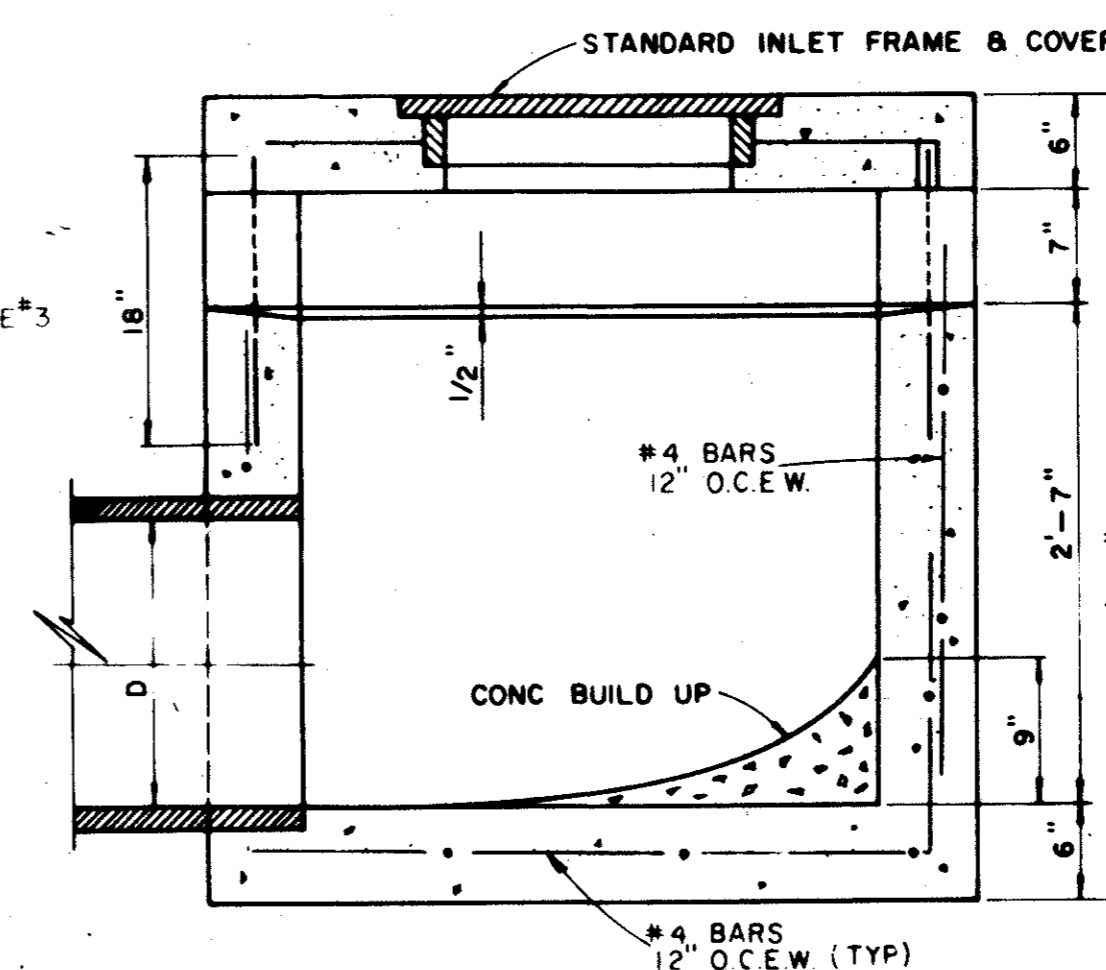
- NOTES**
1. ALL LAPS AND EXTENSIONS OF REINFORCING BARS SHALL BE 36 BAR DIAMETERS UNLESS NOTED OTHERWISE.
 2. TACK WELD GRATES IN PLACE.
 3. PIPE MAY BE PLACED IN ANY WALL, BUT SHALL NOT ENTER ANY CORNER, OR BOTTOM.



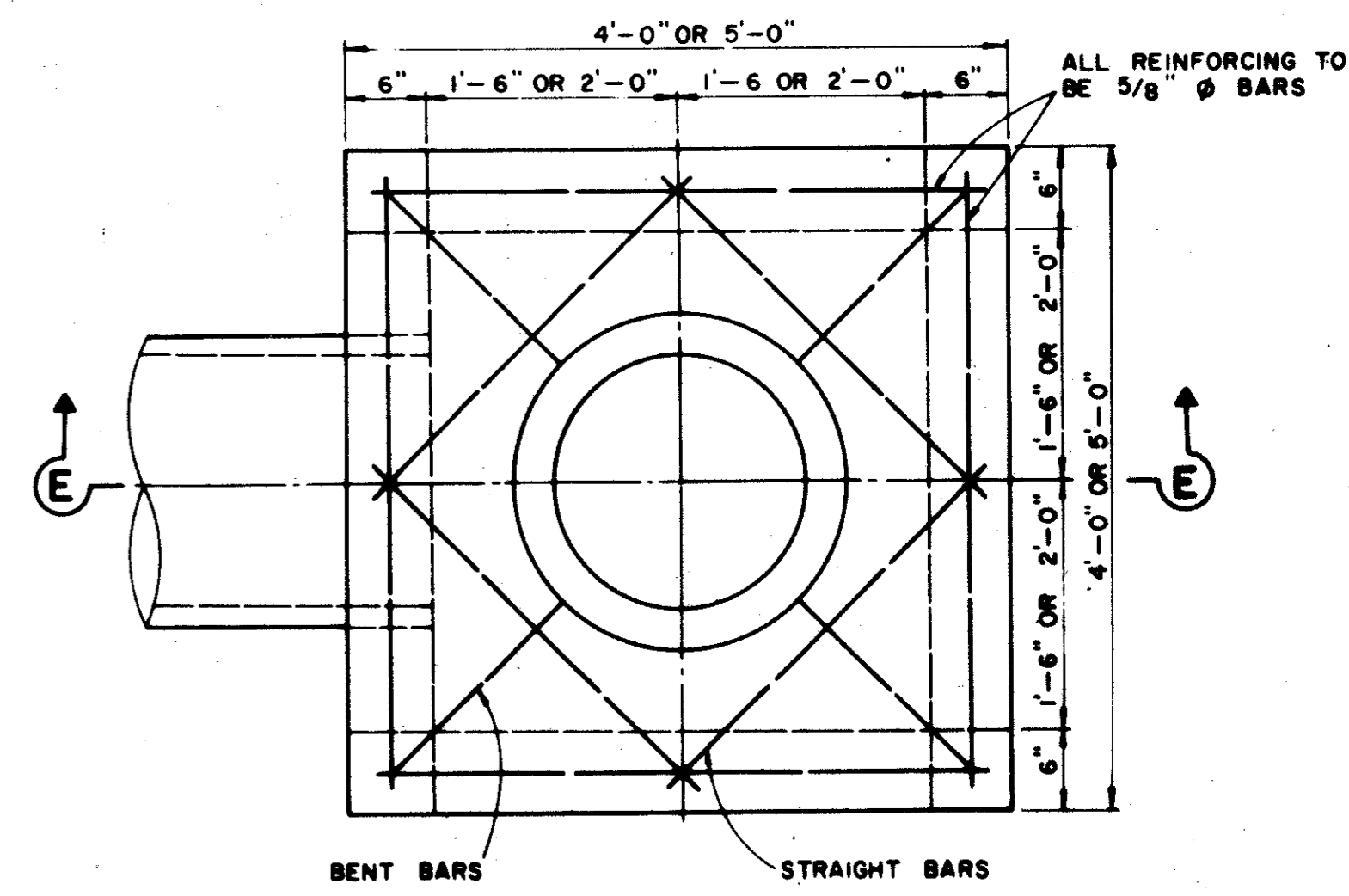
FOUR GRATE INLET



SIX GRATE INLET



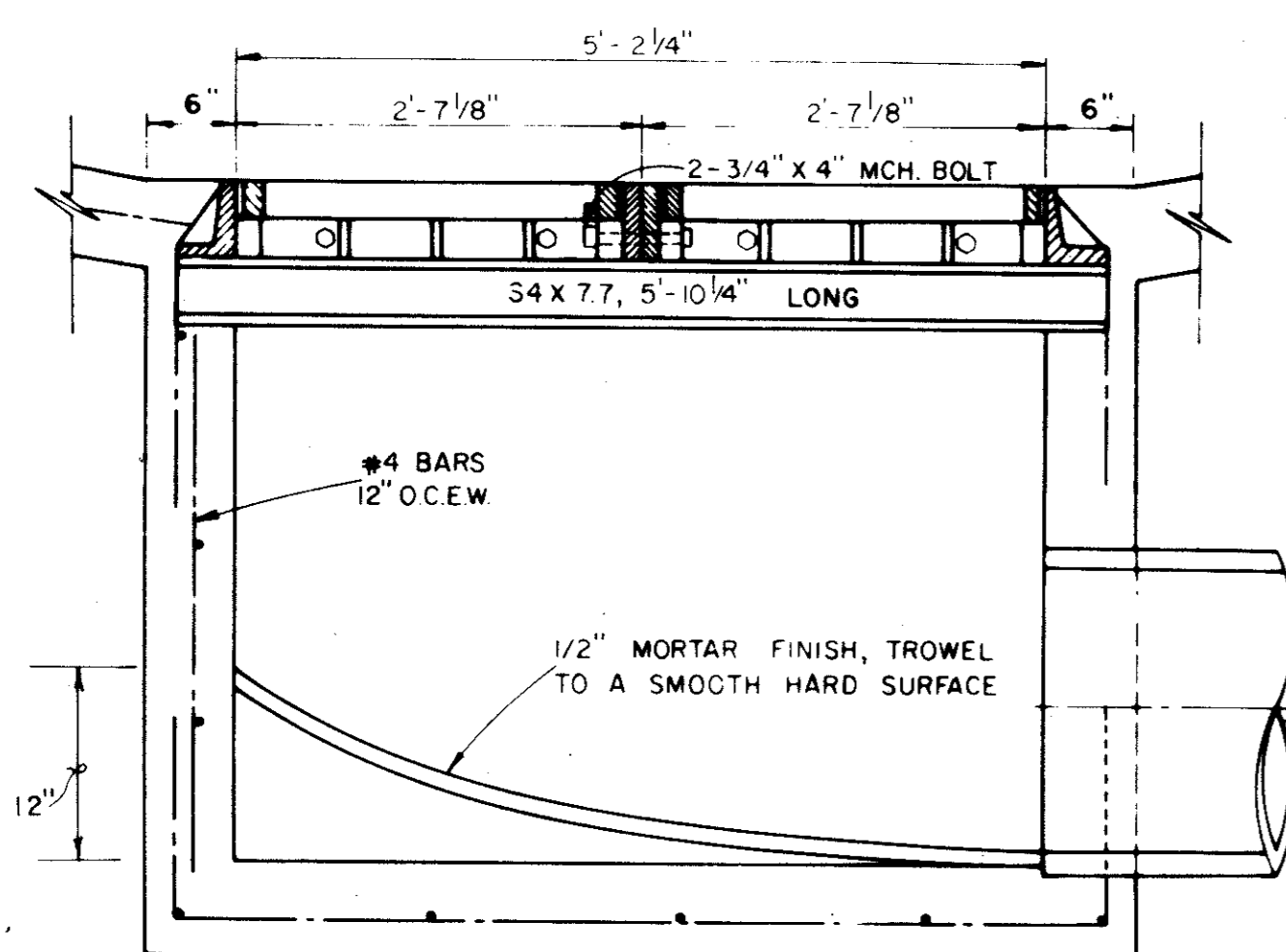
SECTION E-E



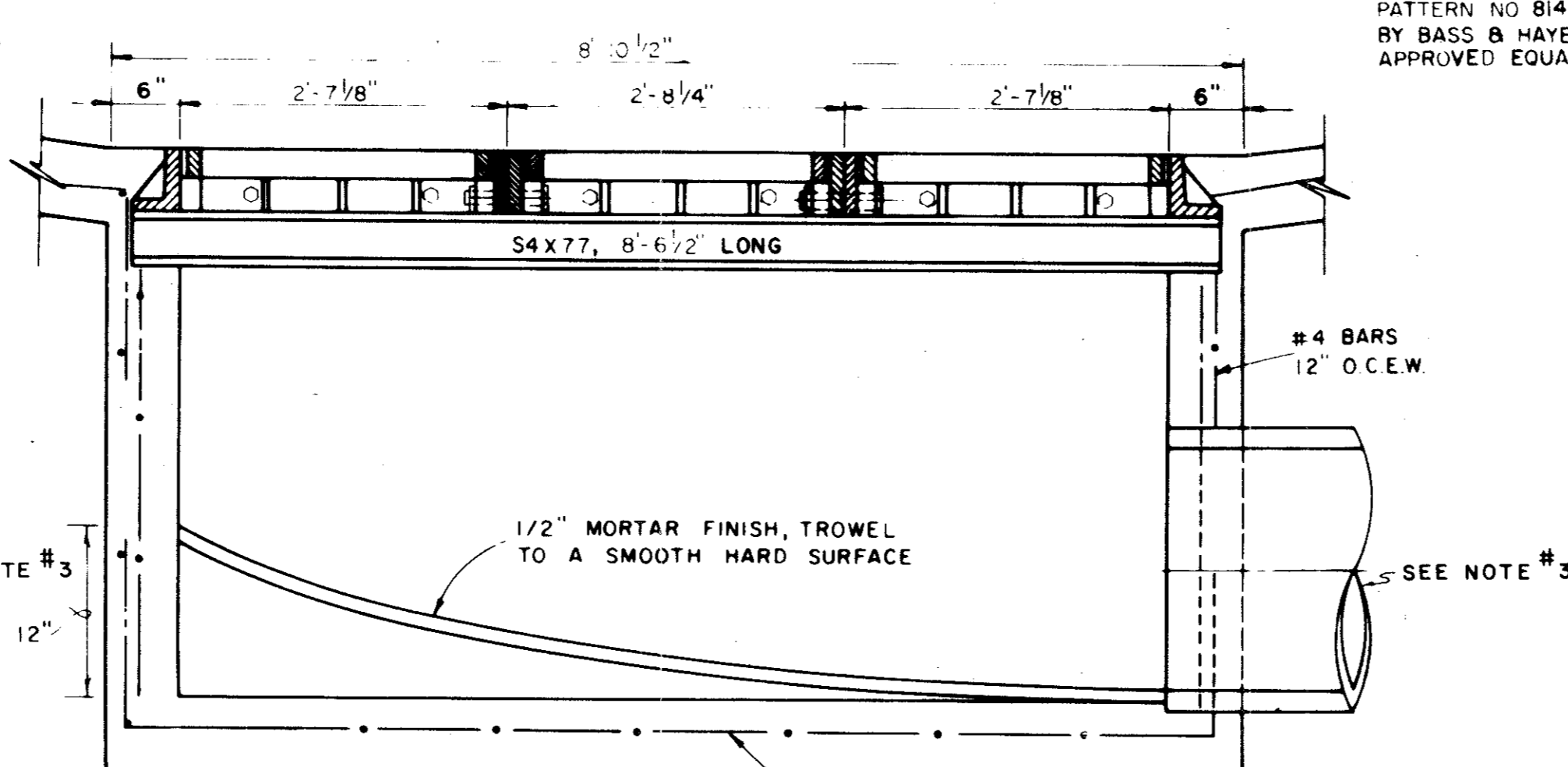
PLAN

NOTE 1 GRATE AND FRAME SHALL BE PATTERN NO 814 AS MANUFACTURED BY BASS & HAYES FOUNDRY, OR APPROVED EQUAL.

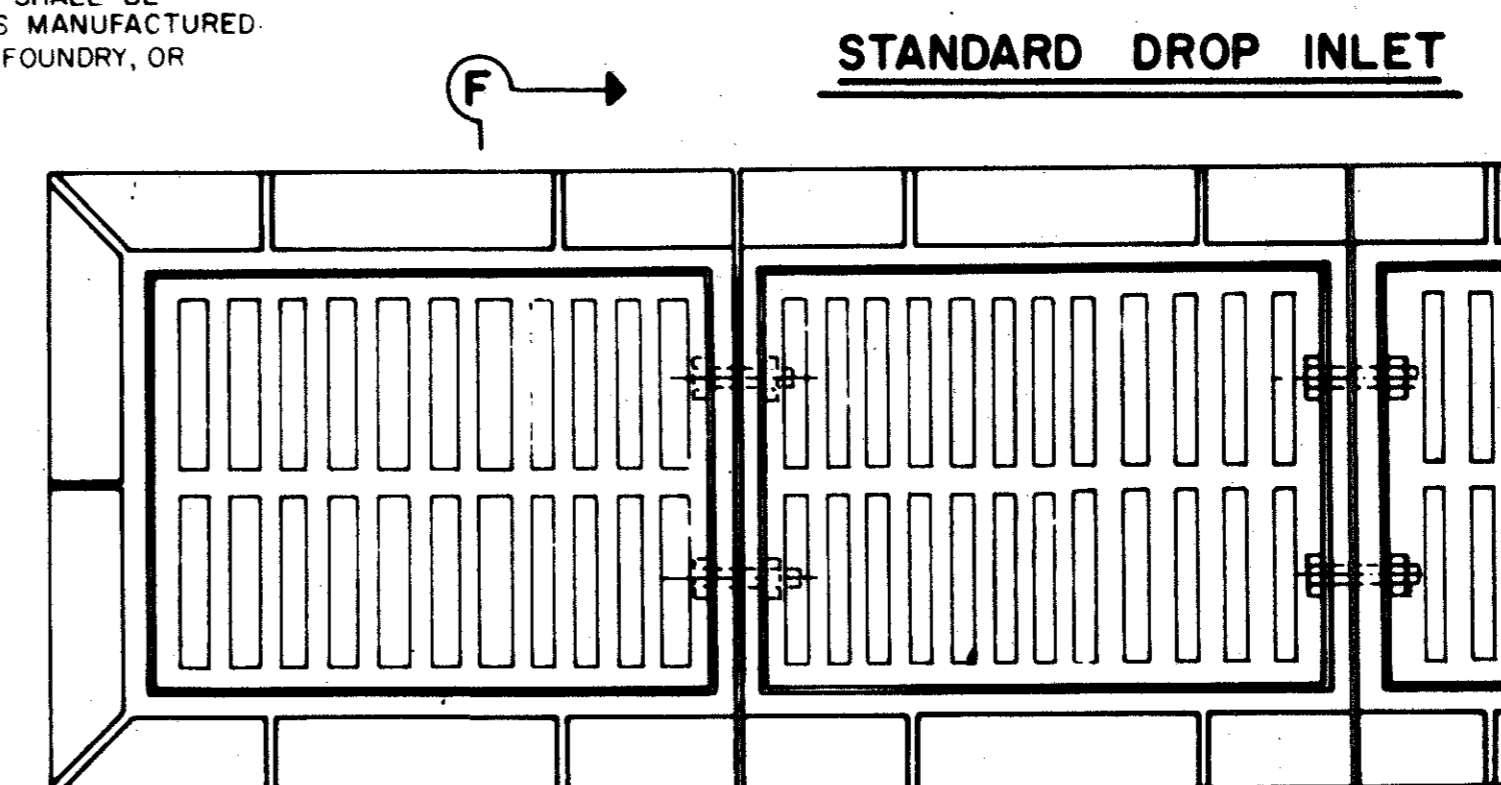
NOTE 2 ALL REINFORCING BAR LAPS AND EXTENSIONS SHALL BE 36 BAR DIAMETER UNLESS NOTED OTHERWISE.



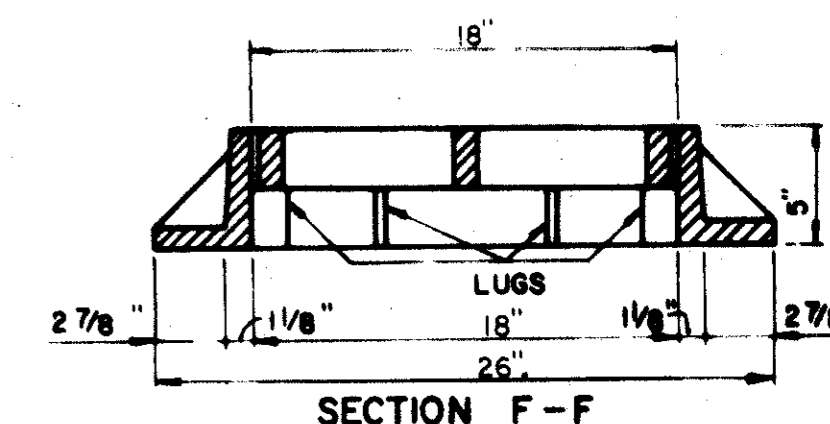
SECTION A-A



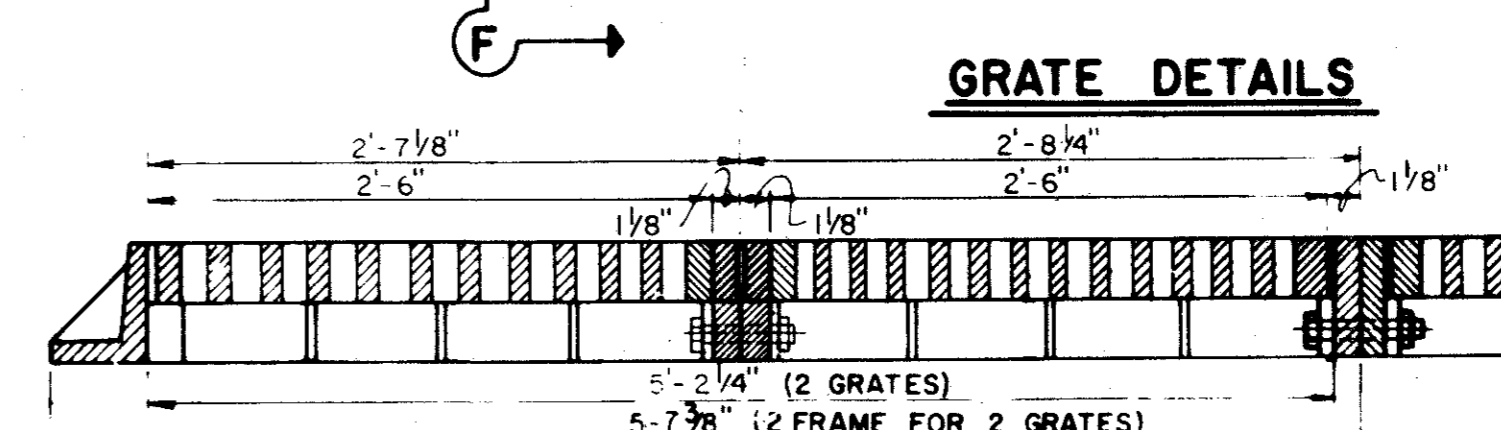
SECTION B-B



STANDARD DROP INLET



SECTION F-F



GRATE DETAILS

NO.	REVISION	BY	DATE
TOWN OF ADDISON DEPARTMENT OF ENGINEERING STANDARD CONSTRUCTION DETAILS STORM DRAINAGE GRATE INLET - DROP INLET			
DATE			SHEET SD-4