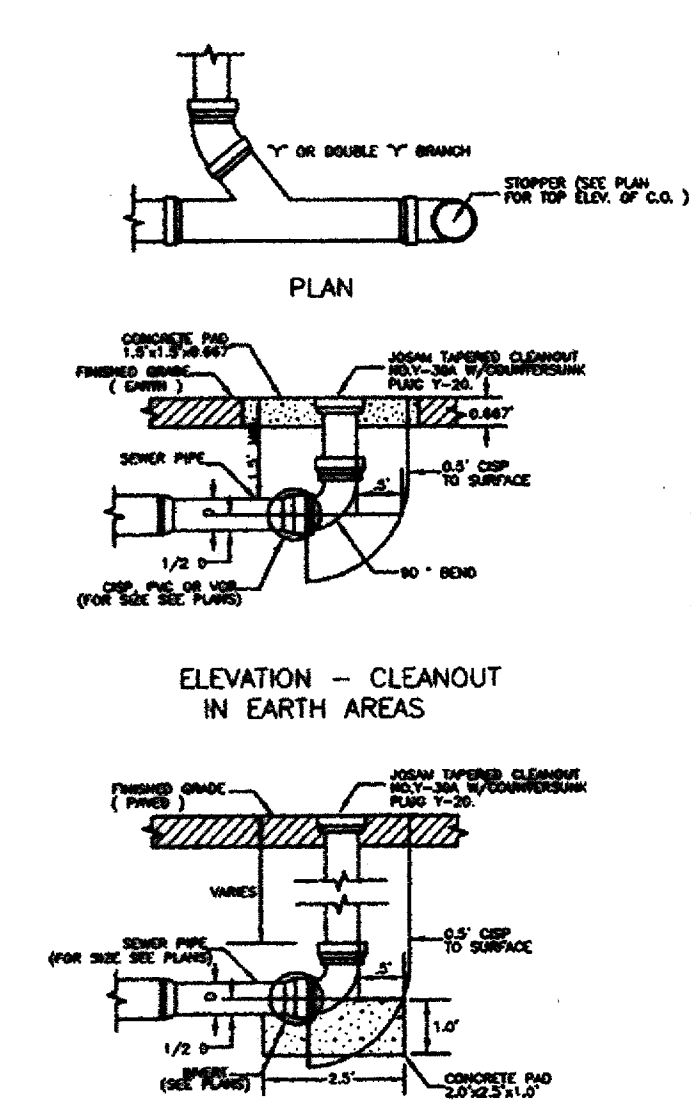
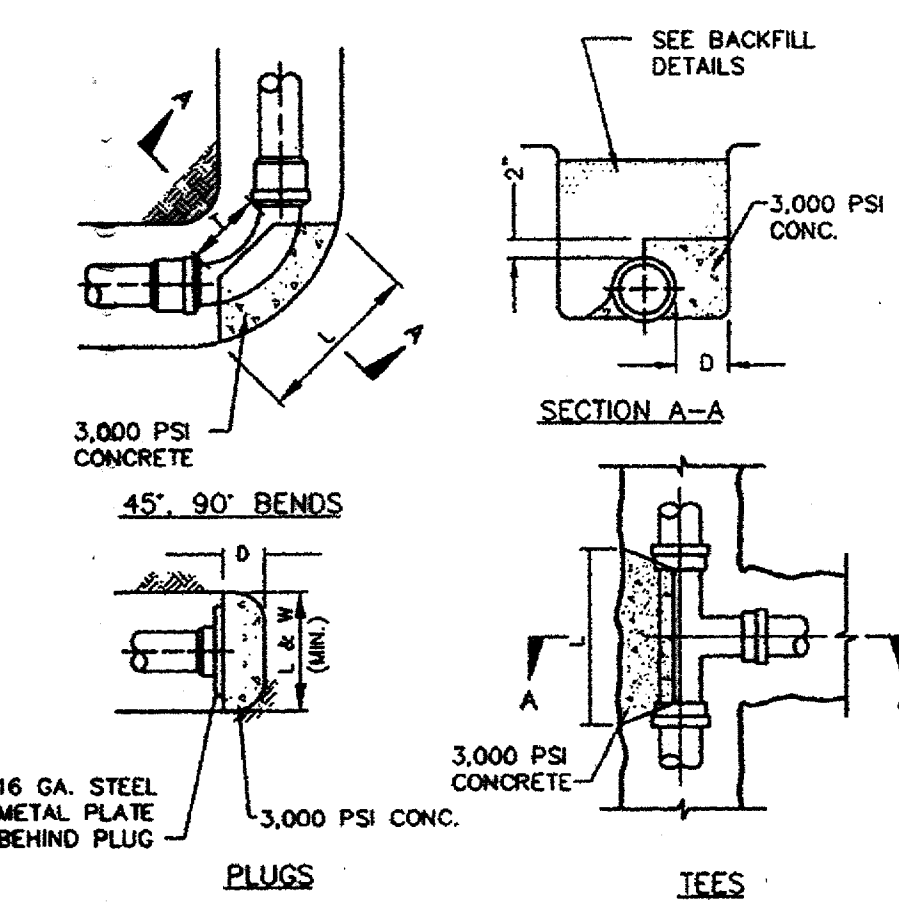
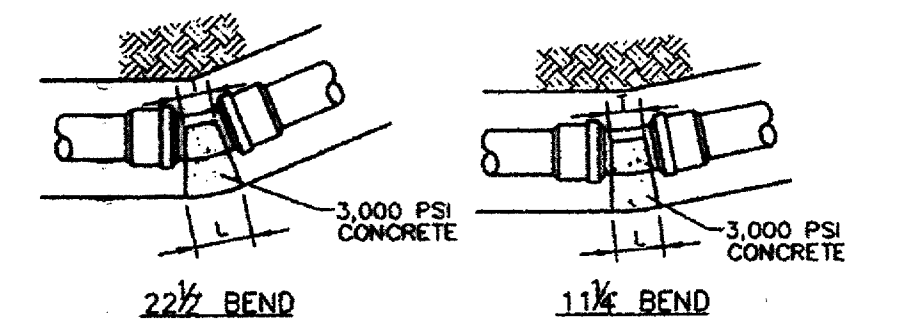


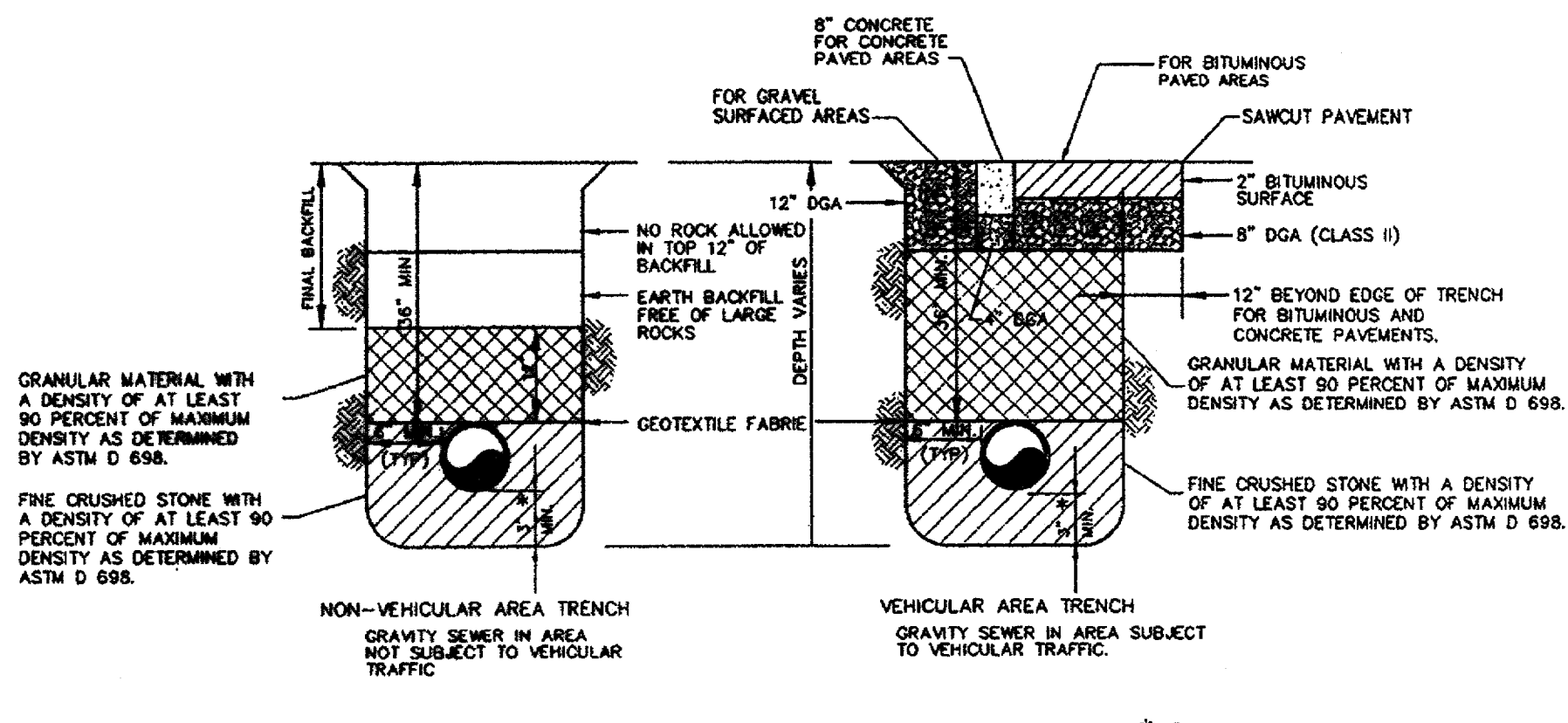
TYPICAL VALVE INSTALLATION
NOT TO SCALE



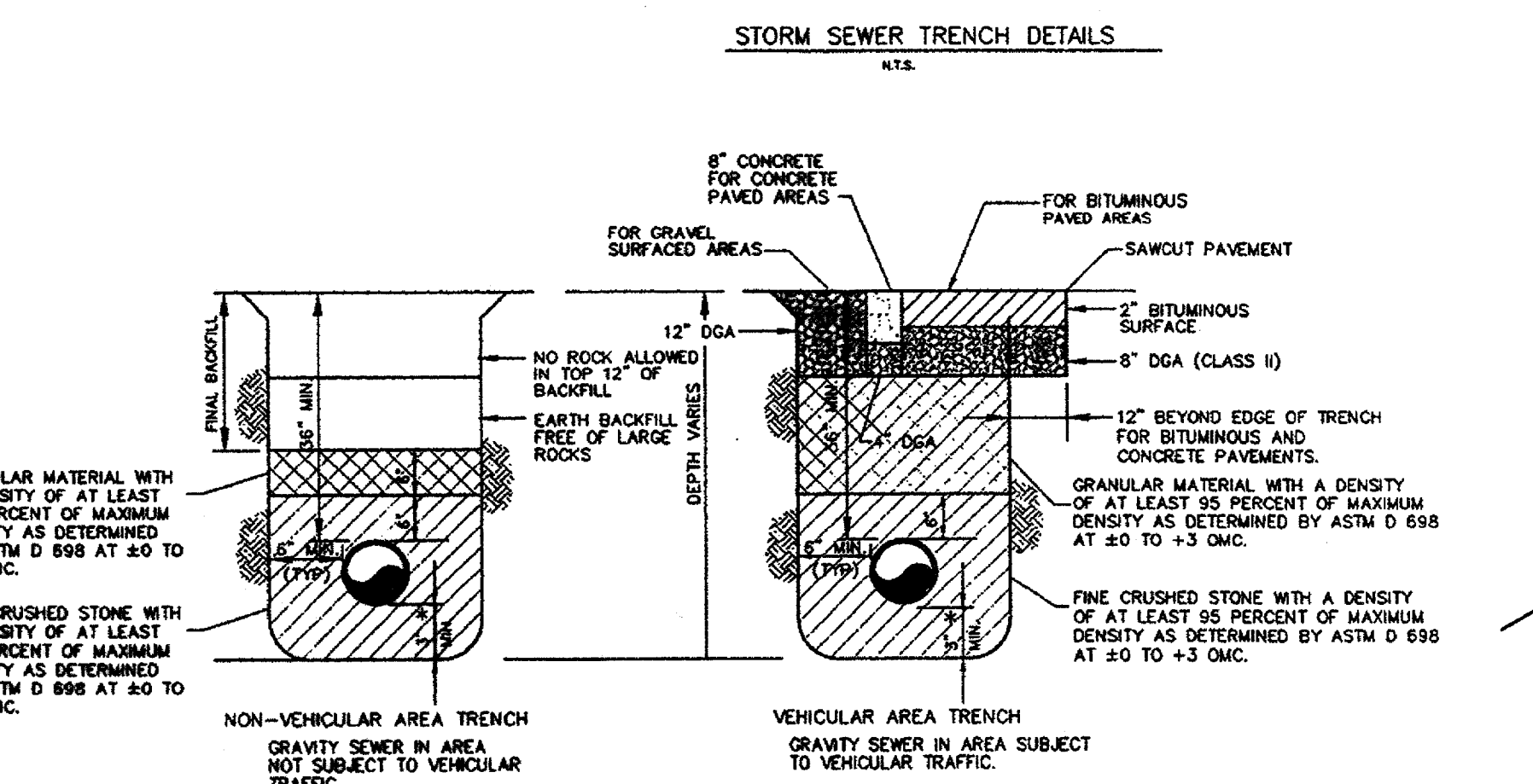
TYPICAL CLEANOUT
NOT TO SCALE



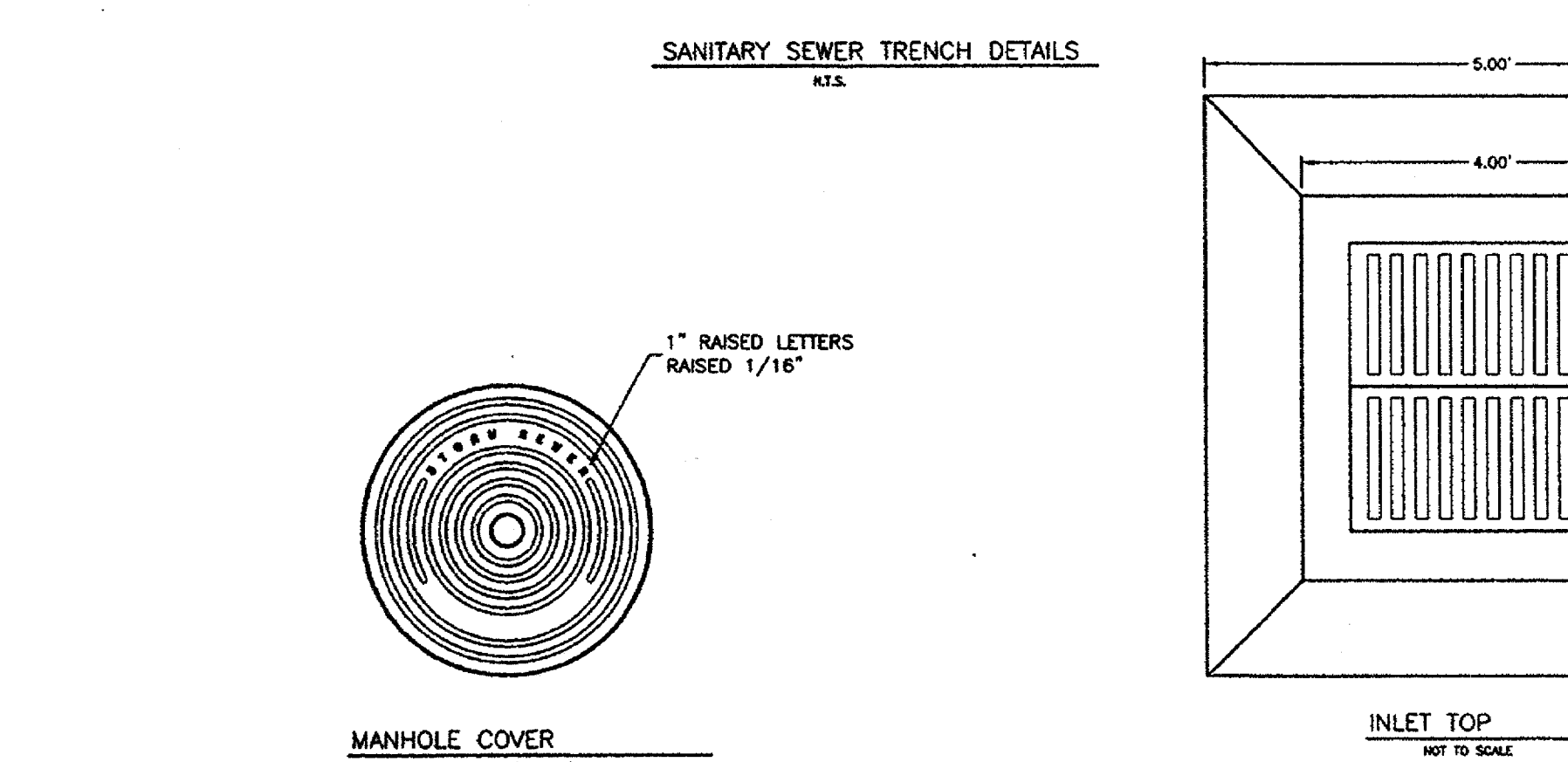
CONCRETE THRUST BLOCKS
NOT TO SCALE



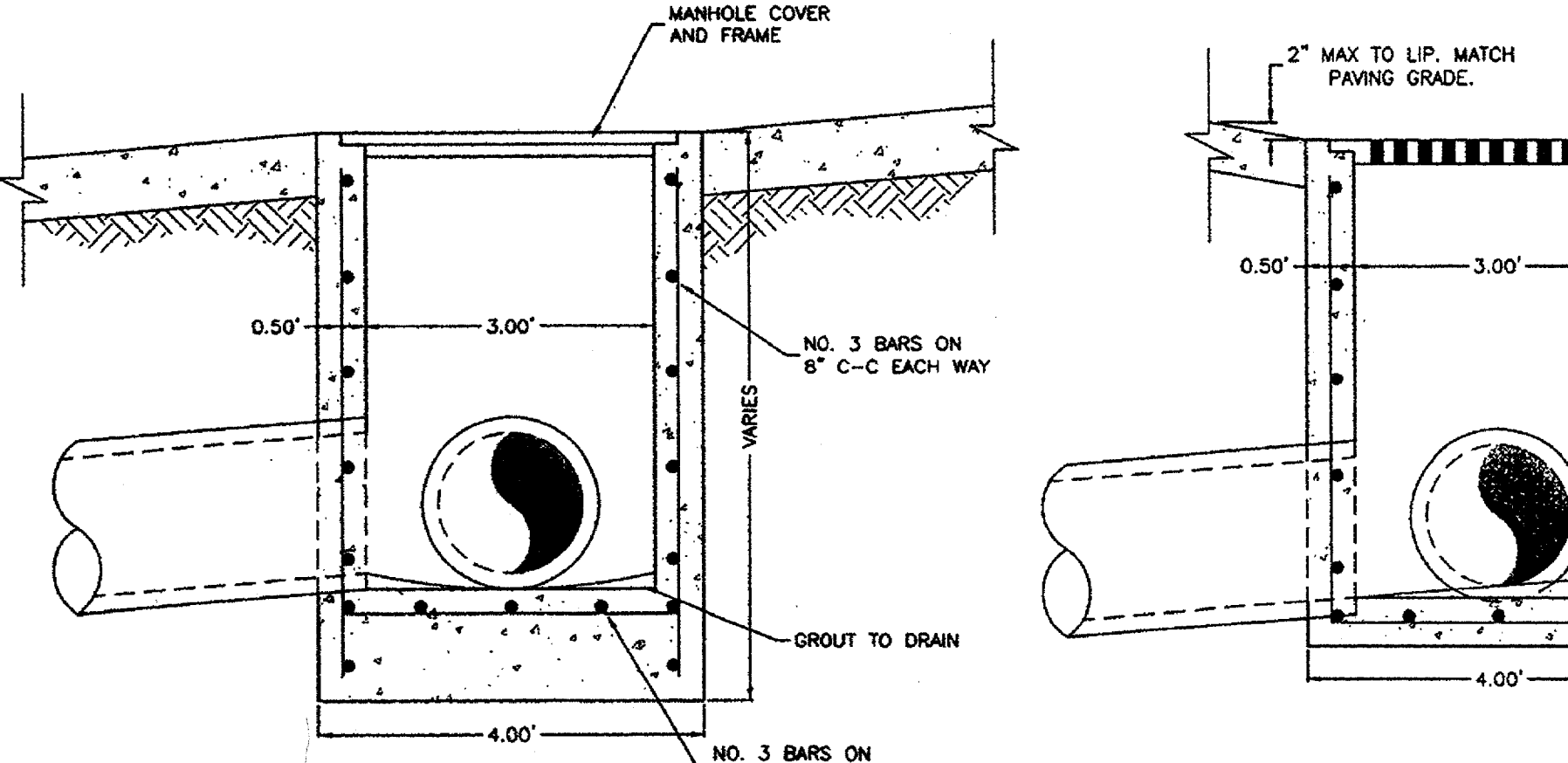
1. DEPTH OF BACKFILL FOR SDR 35 PVC PIPE SHALL NOT EXCEED 15 FEET.
2. TRENCHES SHALL BE SHORED, SLOPED, OR SHIELDED AS NECESSARY TO PROTECT WORKERS AND CONFORM TO OSHA REGULATIONS.
3. CLASS B+ EMBEDMENT.



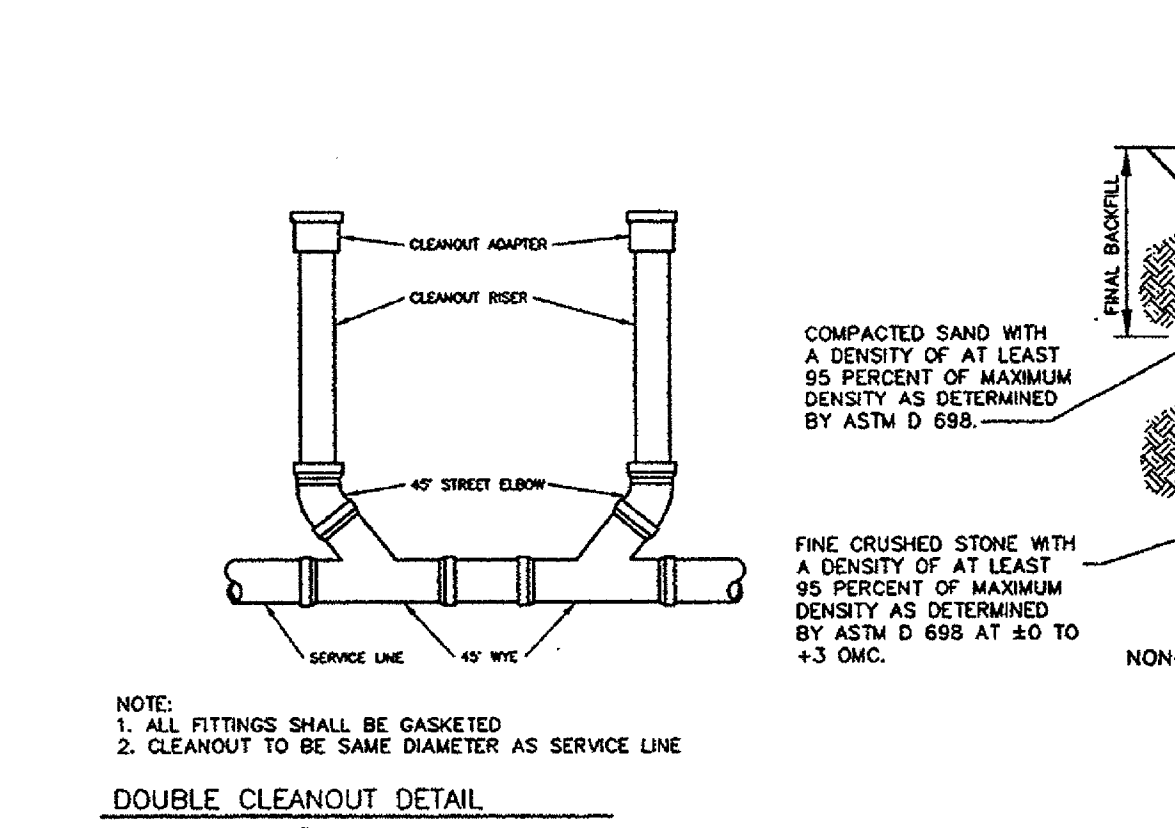
1. DEPTH OF BACKFILL FOR SDR 35 PVC PIPE SHALL NOT EXCEED 15 FEET.
2. TRENCHES SHALL BE SHORED, SLOPED, OR SHIELDED AS NECESSARY TO PROTECT WORKERS AND CONFORM TO OSHA REGULATIONS.
3. CLASS B+ EMBEDMENT.



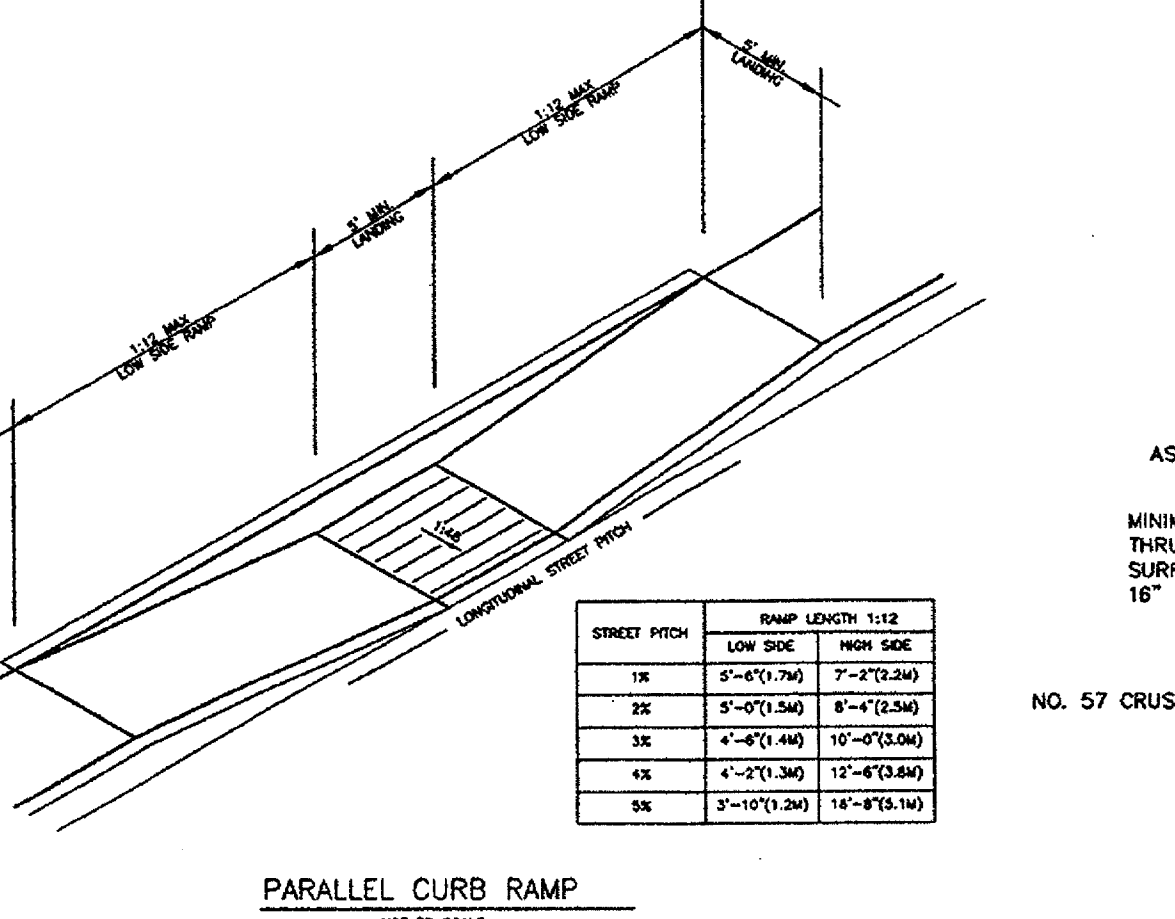
MANHOLE COVER
NOT TO SCALE



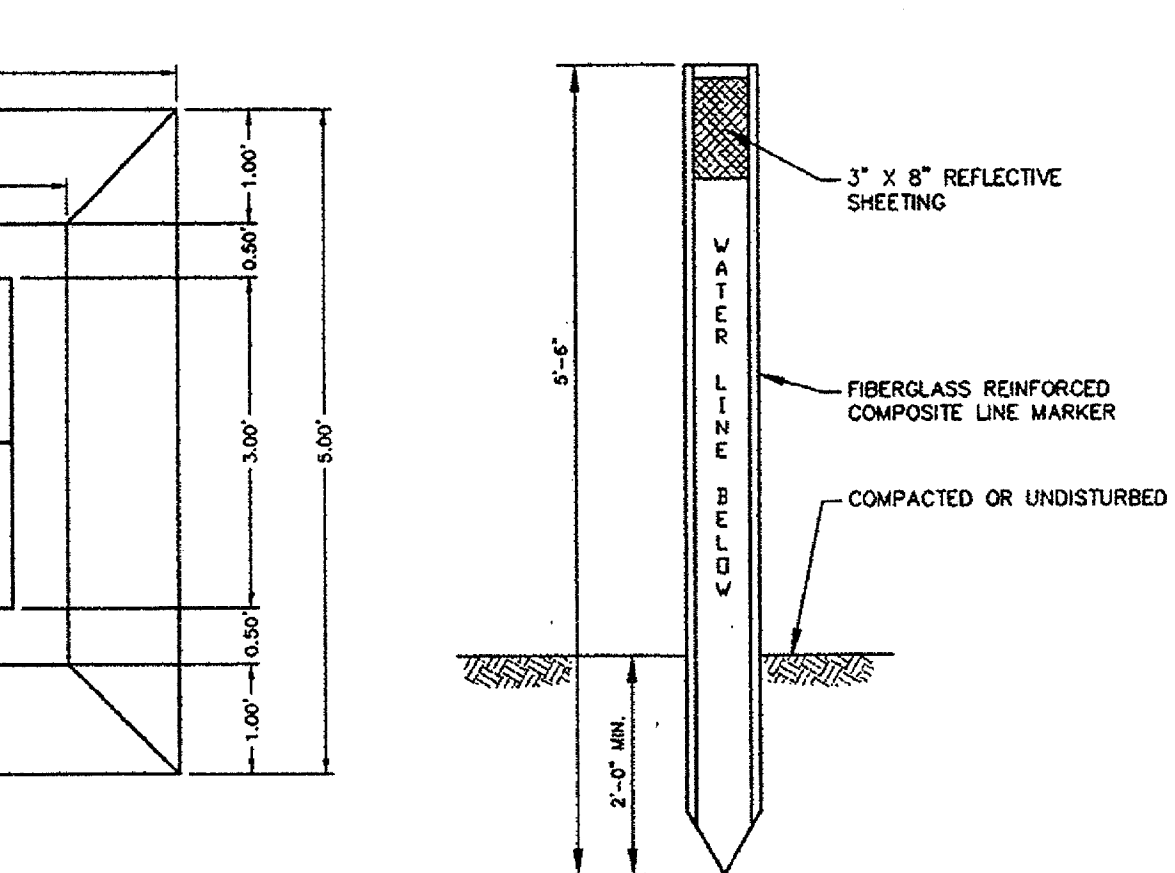
STANDARD 4\"/>



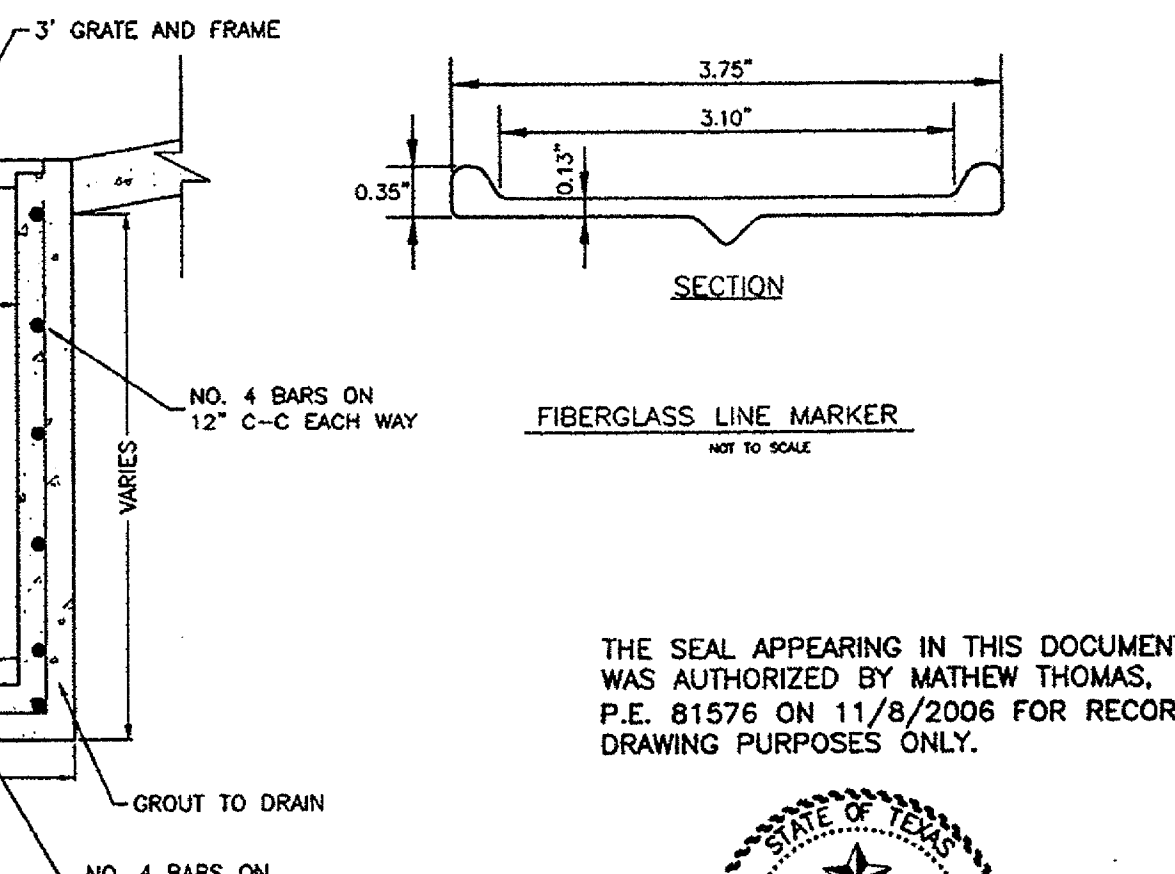
DOUBLE CLEANOUT DETAIL
NOT TO SCALE



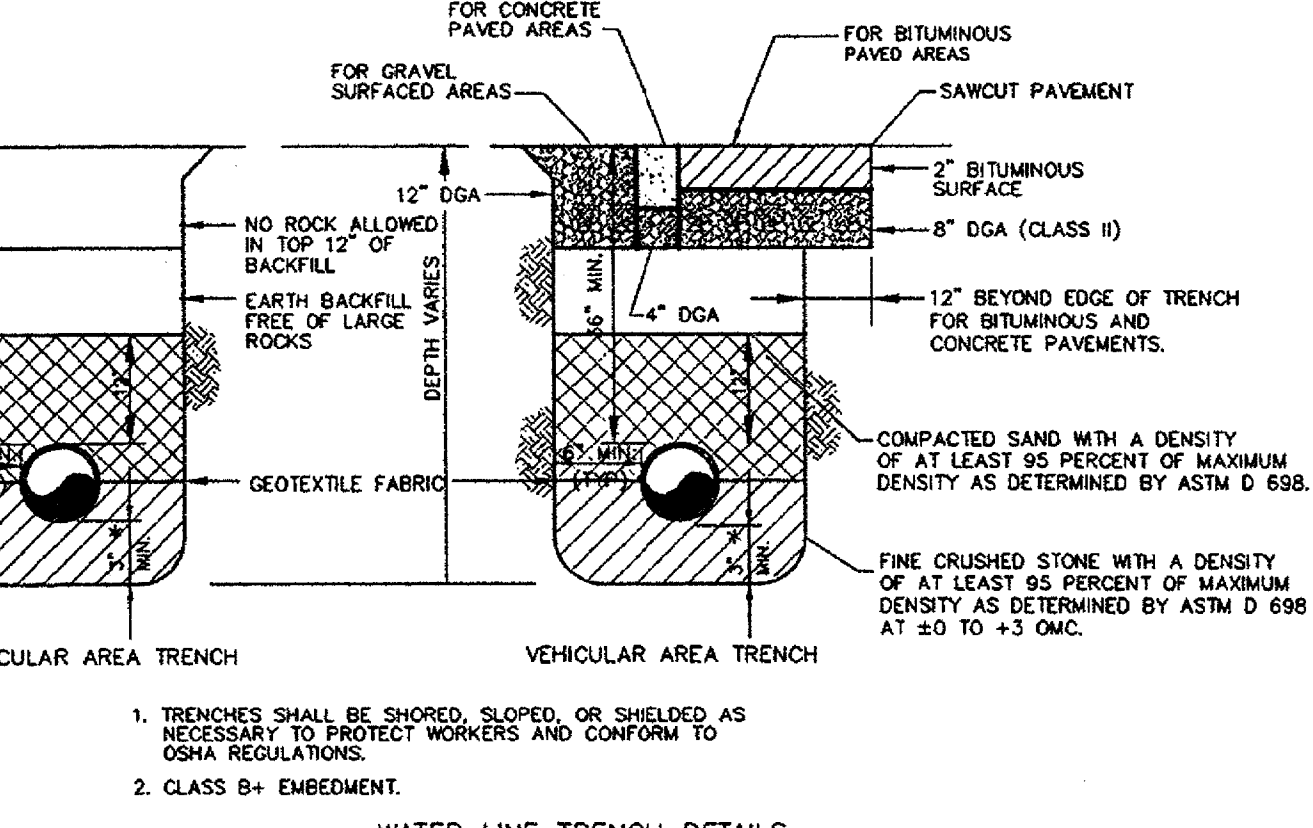
PARALLEL CURB RAMP
NOT TO SCALE



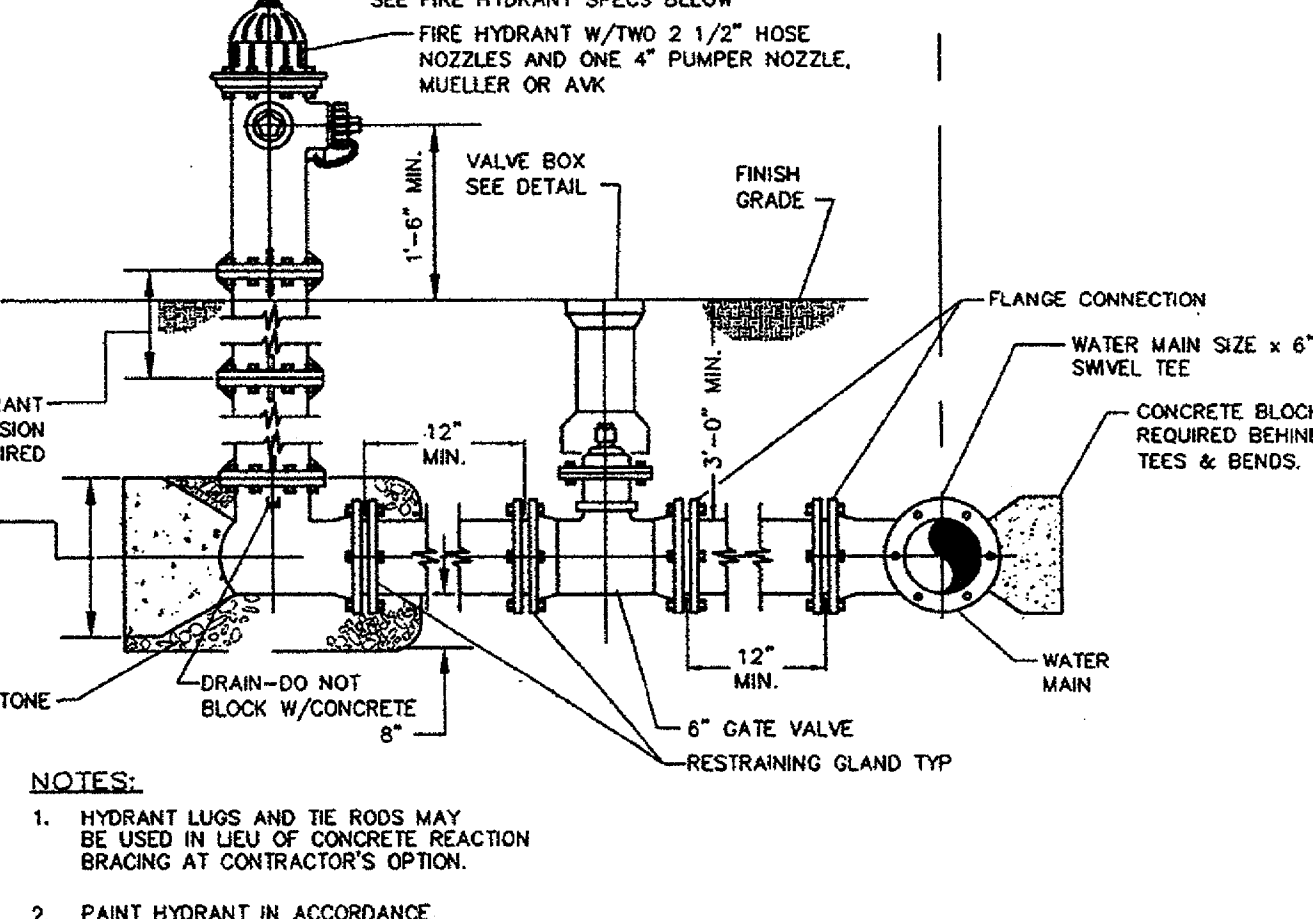
INLET TOP
NOT TO SCALE



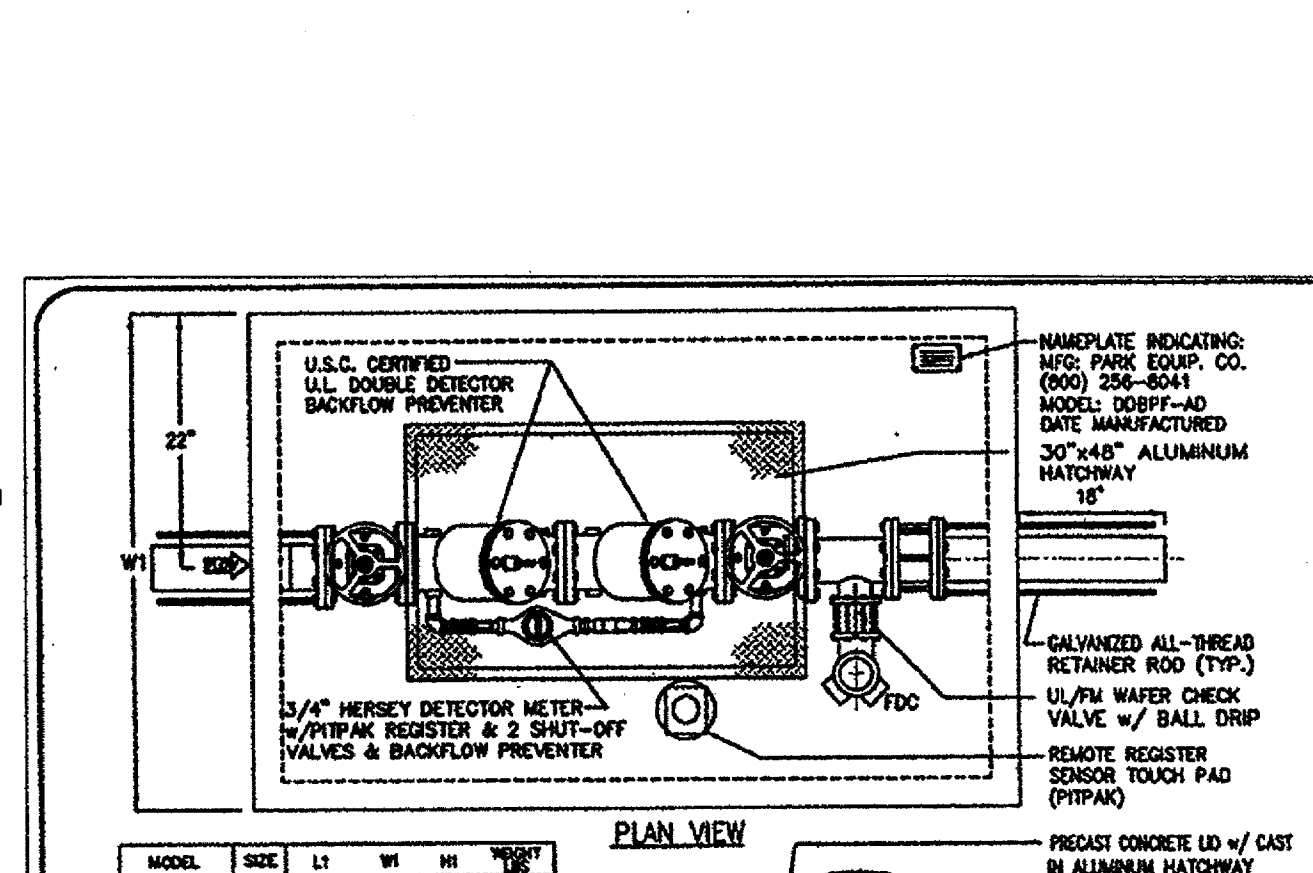
STANDARD 4\"/>



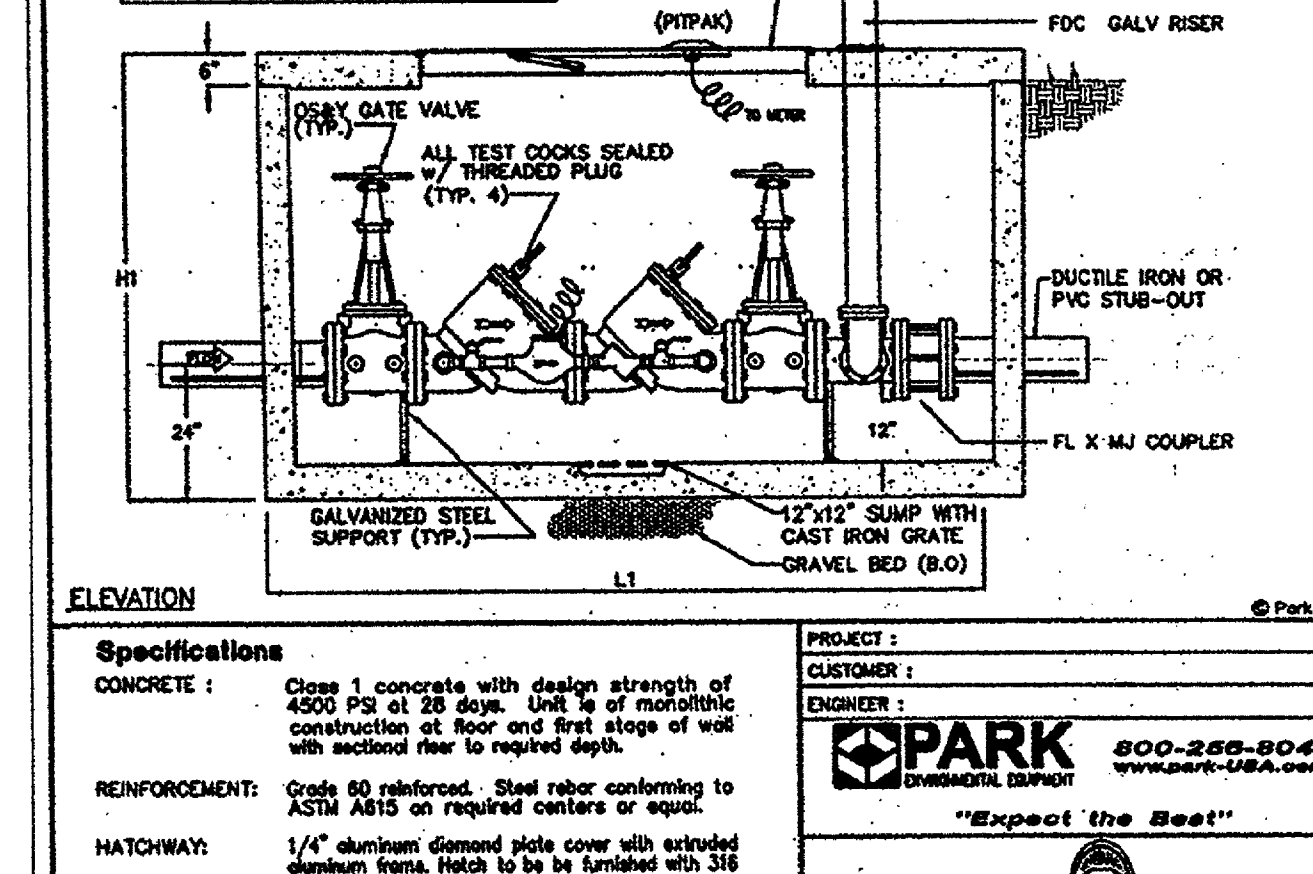
1. TRENCHES SHALL BE SHORED, SLOPED, OR SHIELDED AS NECESSARY TO PROTECT WORKERS AND CONFORM TO OSHA REGULATIONS.
2. CLASS B+ EMBEDMENT.



FIRE HYDRANT SETTING
NOT TO SCALE



INLET TOP
NOT TO SCALE



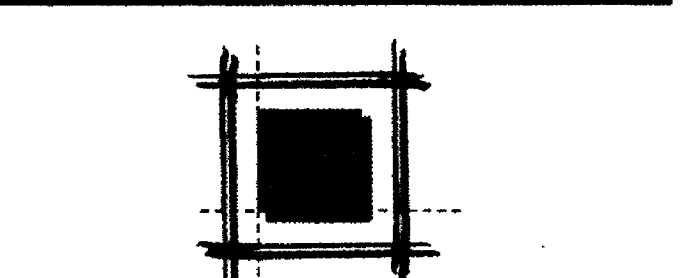
STANDARD 4\"/>

REV.	DATE	DESCRIPTION
1	01/02	ISSUED FOR CONSTRUCTION

THE SEAL APPEARING IN THIS DOCUMENT WAS AUTHORIZED BY MATTHEW THOMAS, P.E. 81576 ON 11/8/2006 FOR RECORD DRAWING PURPOSES ONLY.

CAPITAL ONE
ADDISON
BELT LINE RD. & MARSH LN.
ADDISON, TEXAS

Capital One
Capital One Design & Construction Corp.
201 St. Charles Ave., Suite 220
New Orleans, LA 70170



LEVINSON ASSOCIATES, L.P.
6117 Richmond Ave., Suite 200 Houston, Texas 77057
tel 713.787.0000 fax 713.850.8250
ARCHITECTURE PLANNING INTERIOR DESIGN

Carter Burgess
Consultants in Planning, Engineering, Architecture, Construction Management, and Related Services
CARTER & BURGESS, INC.
BUILDING PROGRAMS DIVISION
777 MAIN STREET, FORT WORTH, TEXAS 76102
TEL (817) 222-8500
FAX (817) 222-8550
COPYRIGHT © 2006 CARTER AND BURGESS

LALP Project Number: 25271.000
Issued For: AS-BUILT
DETAILS
C-9
Issue Date: NOVEMBER 8, 2006
C&B Project Number: 293070.020

FILE INFO: V:\Hibernia\TX_Addison\Capital One_293070\Civil\Sheets\As-Built\C-9070-C09-DT.dwg XREFS:MT-Seal; Interim Stamp: 293070.dwg; MODIFIED: Oct 31, 2006 5:28pm PLOTTED: Nov 08, 2006 9:34am BY:millie11 PLOT SCALE: 1/32