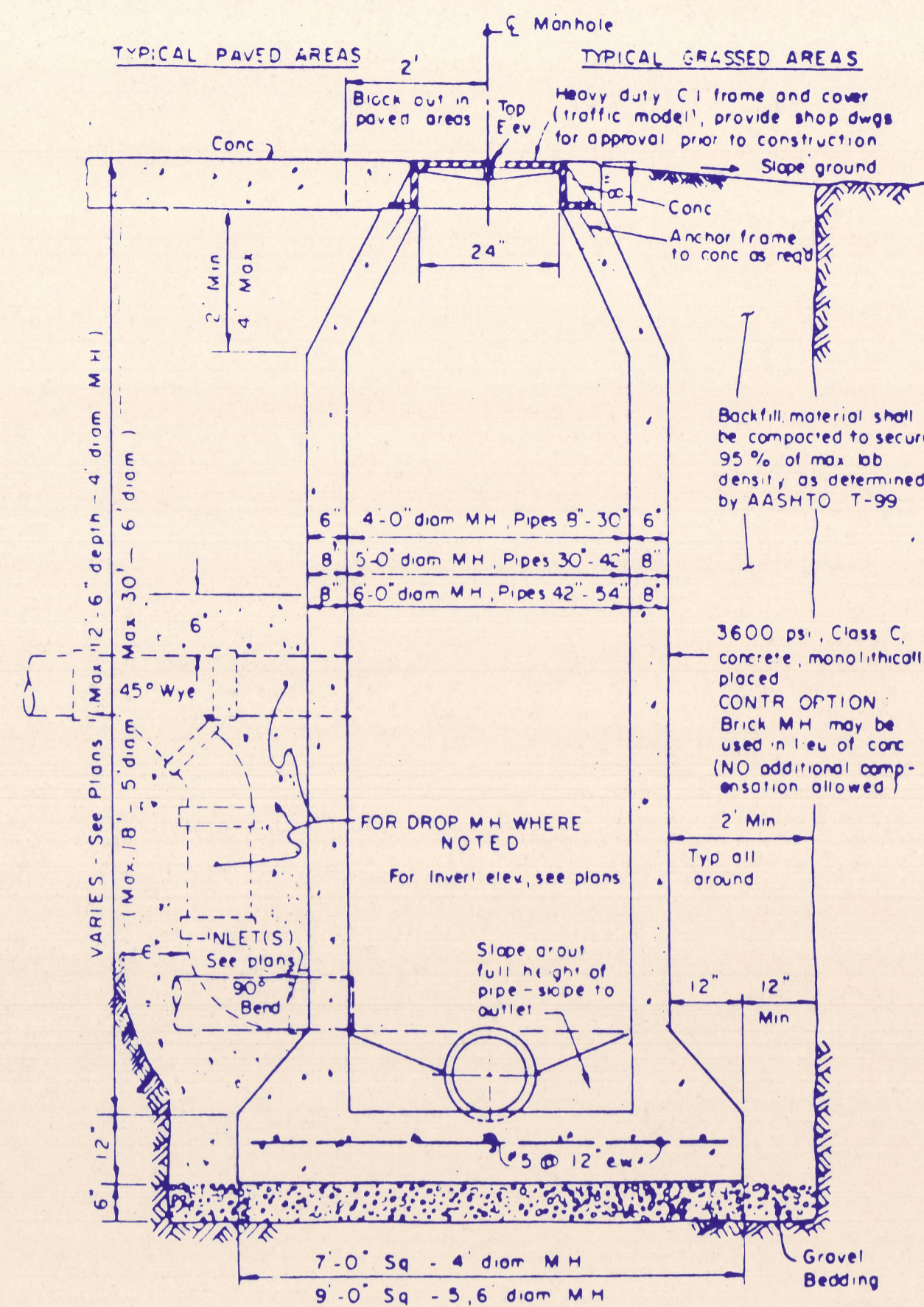
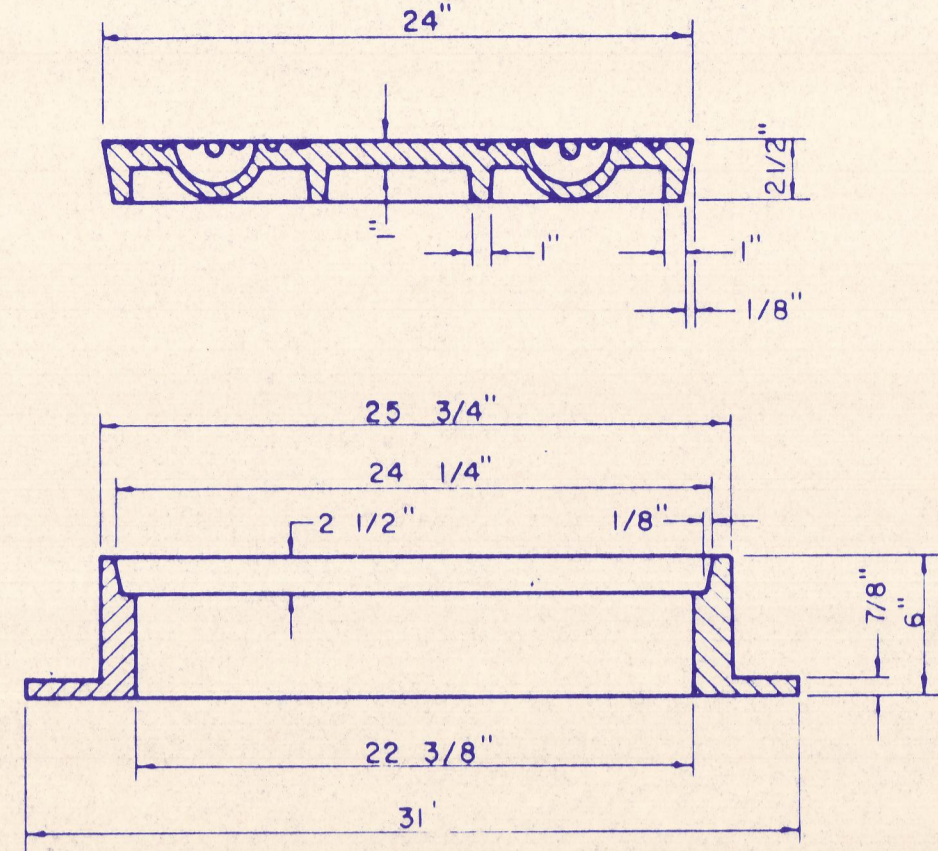


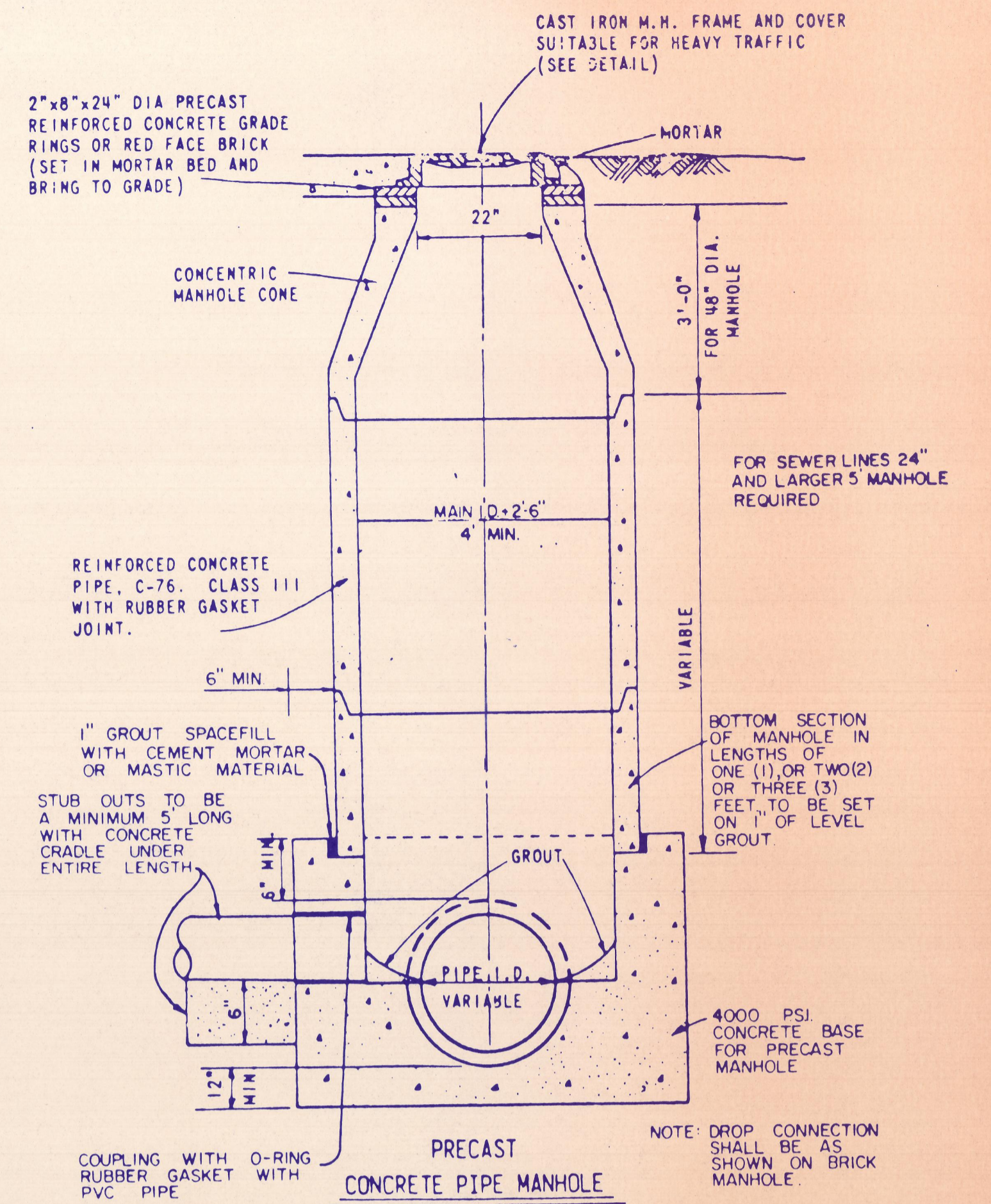
APPROX WEIGHT RING AND COVER 385 LBS.

CAST IRON GRATE AND FRAME DETAIL

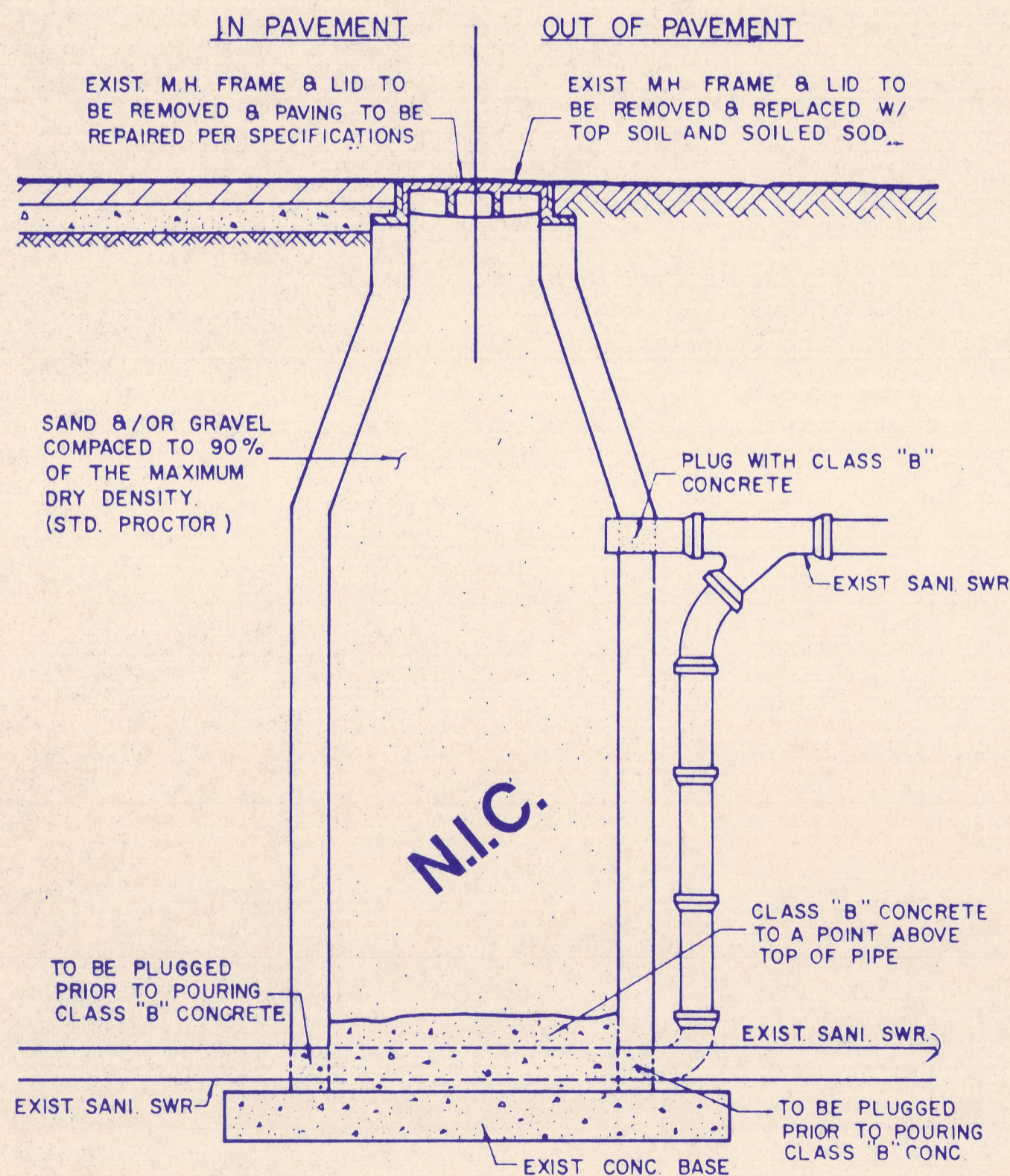


CAST IN PLACE MANHOLE

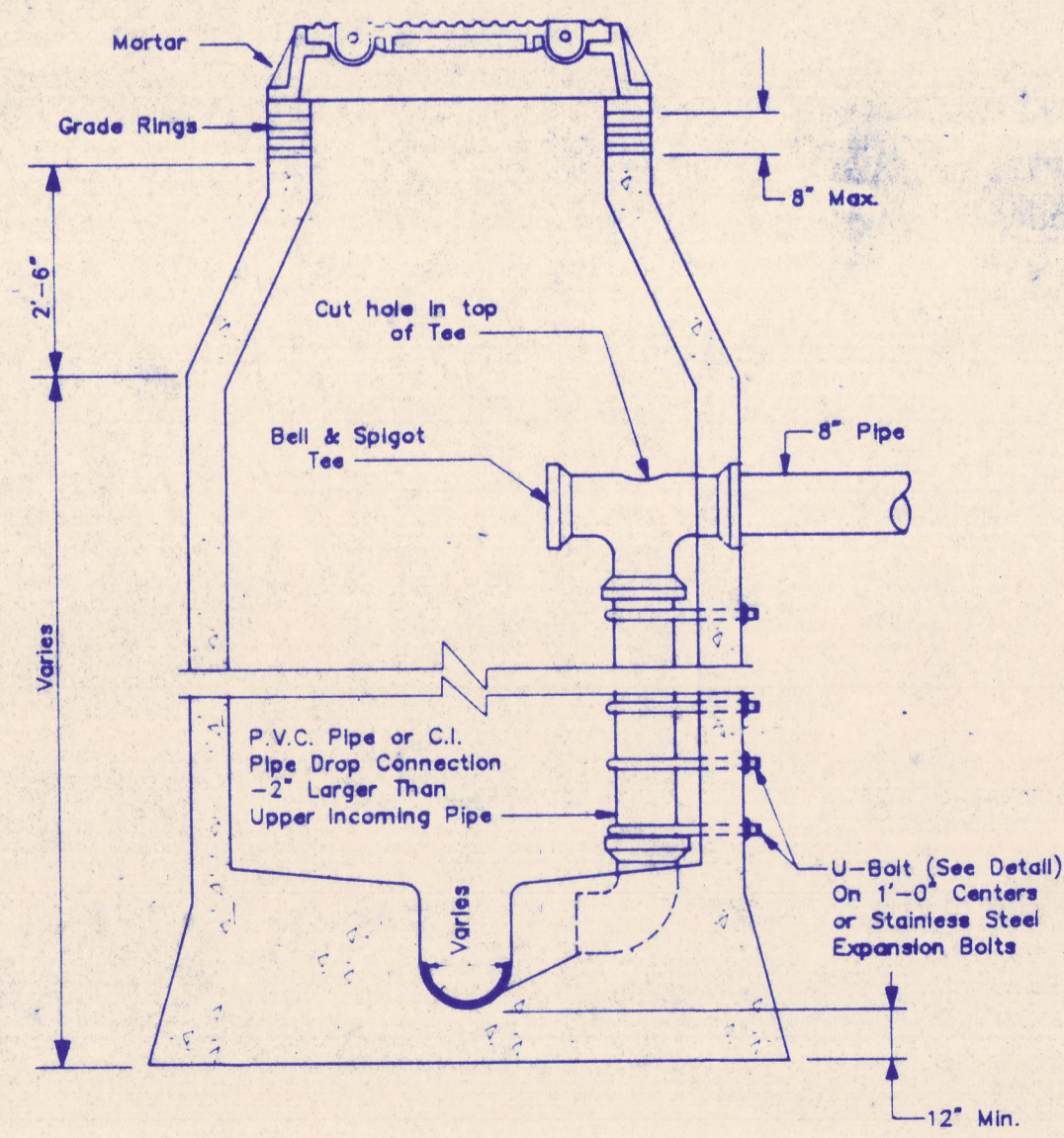
WHERE DROP M.H. IS REQUIRED, USE INSIDE DROP CONNECTION AS PER TOWN OF ADDISON STANDARDS.



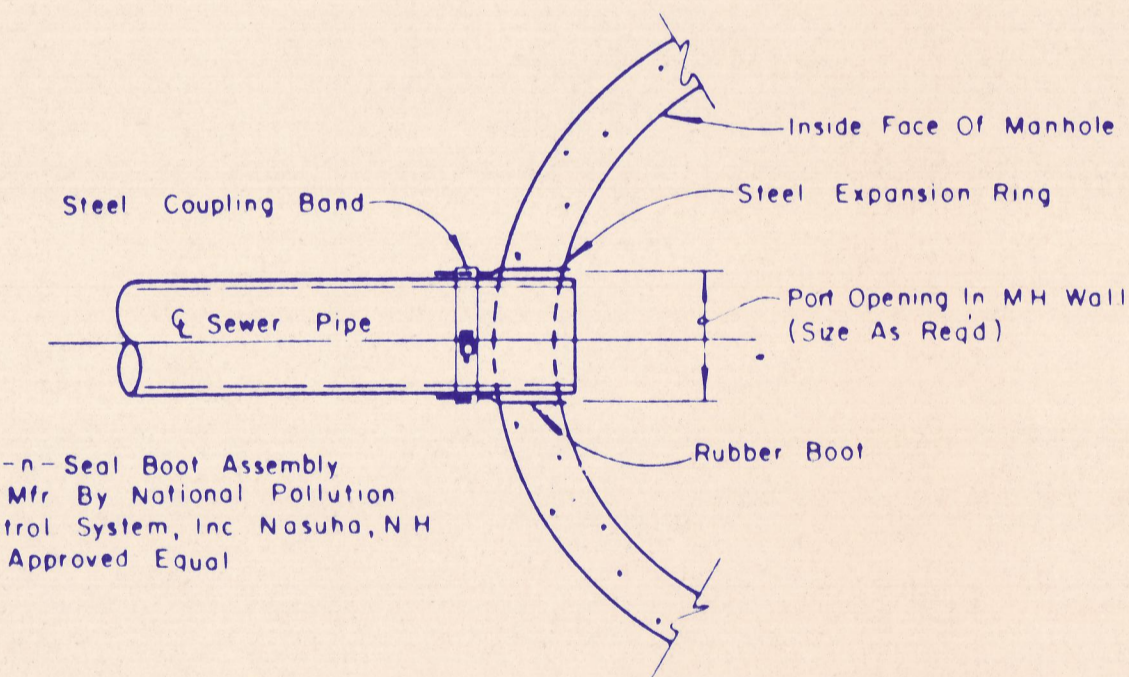
PRECAST MANHOLE



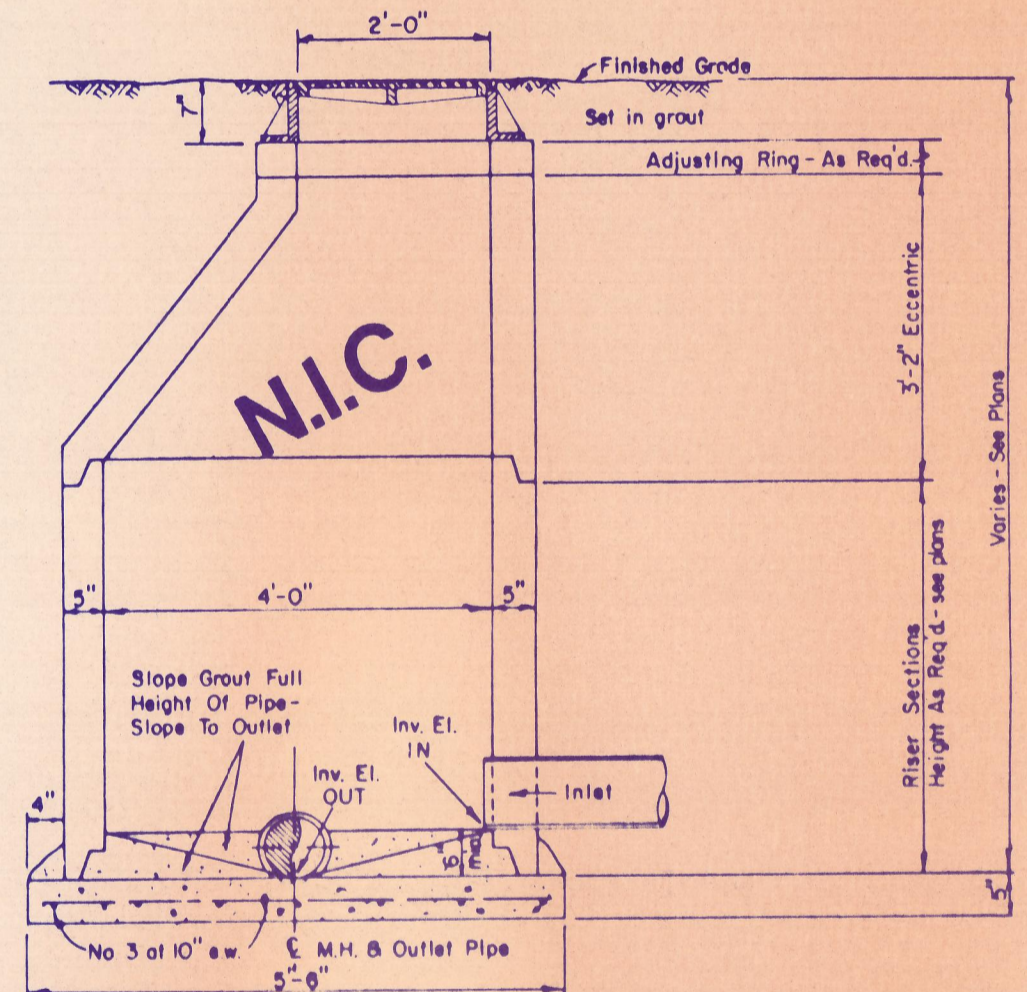
ABANDONMENT OF EXISTING MANHOLE IN AND OUT OF PAVEMENT



DROP CONNECTIONS FOR SANITARY SEWER MANHOLES



TYPICAL SEWER CONNECTION AT MANHOLE



ECCENTRIC MANHOLE DETAIL

CLASS B Conc. - 2000psi at 28 days (Compressive)

TOWN OF ADDISON, TEXAS DEPARTMENT OF ENGINEERING			
STANDARD CONSTRUCTION DETAILS SANITARY SEWER			
MANHOLES AND CONNECTIONS			
Designed -	Drawn -	Date -	Job No. -
Approved -	Checked -	Scale -	Sheet SD-2

