

LOT 3B, BLK D
ADDISON TOWN CENTER

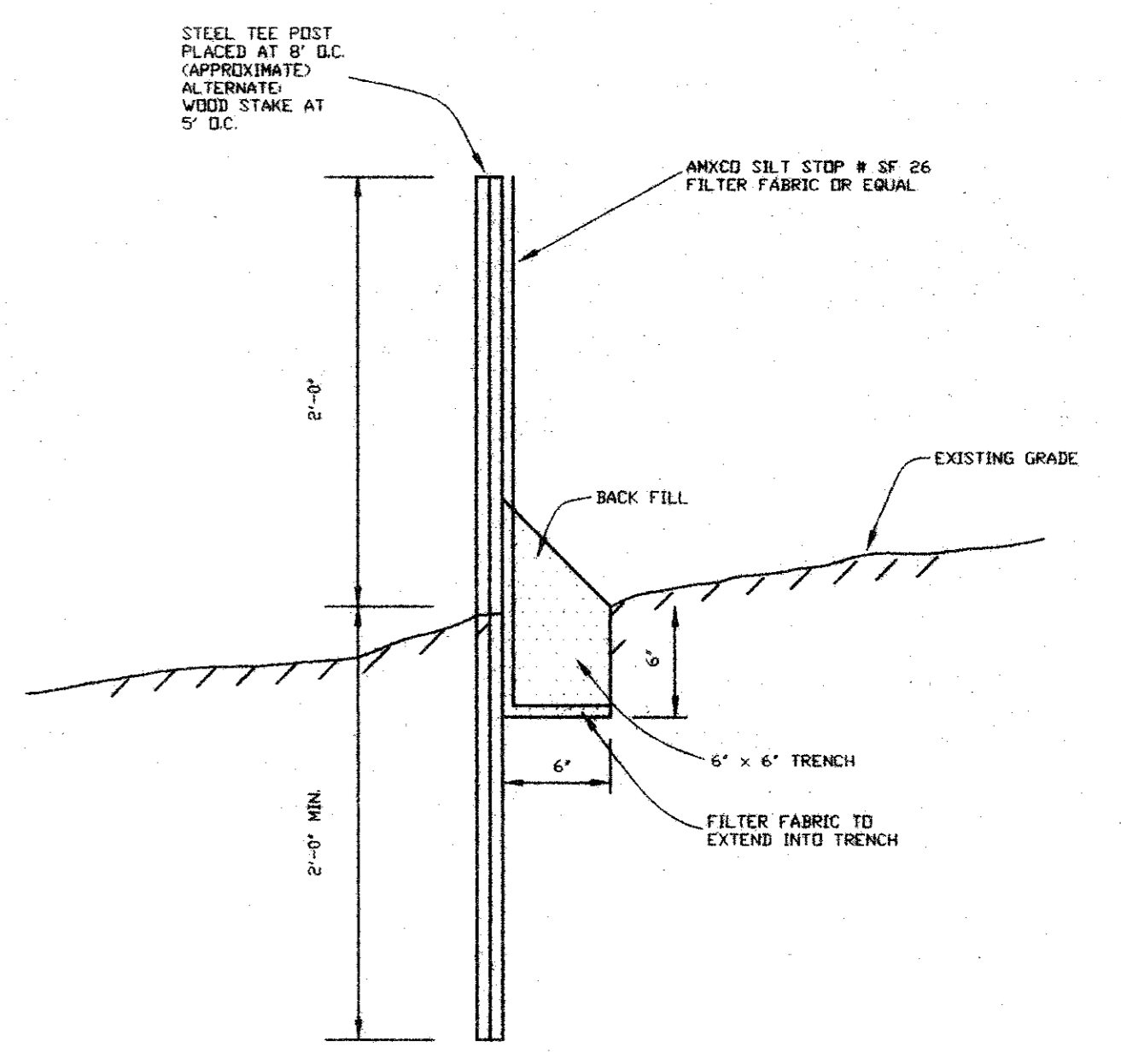
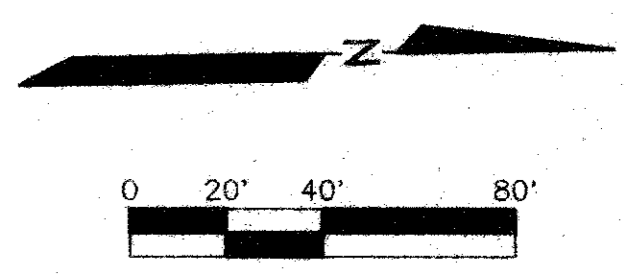
LOT 2, BLK
ADDISON TOWN

COMP USA

SPAGHE WAREHO

LOT 1R, BL
PRINTemps ADDIT

BENCHMARK:
"T" CUT ON STORM SEWER
INLET ON SOUTH SIDE OF
BELTLINE ROAD 70'± WEST
OF COMMERCIAL DRIVE.
ELEV. = 580.56



EROSION CONTROL FENCE

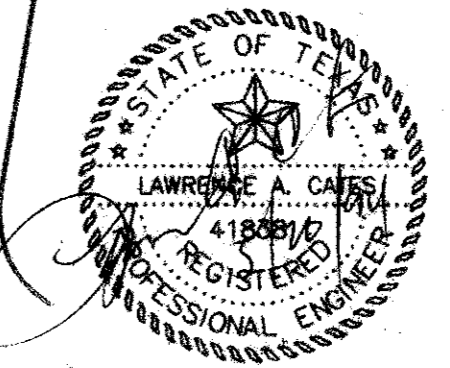
N.T.S.



EROSION CONTROL LOCATION

- CONSTRUCTION SEQUENCE
1. OBTAIN GRADING PERMIT.
 2. INSTALL ALL EROSION CONTROL MEASURES AND DEVICES BEFORE CLEARING SITE IF POSSIBLE.
 3. CLEAR SITE.
 4. INSTALL ANY REMAINING CONTROL MEASURES AND DEVICES NOT INSTALLED PRIOR TO SITE CLEARING.
 5. GRADE SITE.
 6. INSTALL ALL UNDERGROUND UTILITIES.
 7. INSTALL PAVEMENT.
 8. RESTORE AND HYDROMULCH WITH BERMUDA GRASS ALL AREAS OUTSIDE CONSTRUCTION LIMITS DISTURBED DURING CONSTRUCTION.
 9. INSPECT AND MAINTAIN ALL EROSION CONTROL MEASURES AND DEVICES AFTER EACH RAIN AND FOR THE DURATION OF THE PROJECT.
 10. CONTRACTOR TO PROVIDE ADDITIONAL EROSION CONTROL AS NEEDED OR REQUESTED BY THE ENGINEER OR THE CITY IF PROPOSED EROSION CONTROL PROVES INSUFFICIENT.

THE SEAL APPEARING ON THIS DOCUMENT WAS AUTHORIZED BY LAWRENCE A. CATES, P.E. 41838 ON 01/21/94



REV	DATE	REMARKS				
1	5/12/94	ADDED BABY SUPERSTORES				
EROSION CONTROL PLAN						
COMP. U.S.A.						
ADDISON TOWN CENTER						
CITY OF ADDISON, TEXAS						
LAWRENCE A. CATES & ASSOC.		CONSULTING ENGINEERS DALLAS, TEXAS				
DESIGN	DRAWN	DATE	SCALE	NOTES	FILE	NO.
LAC	LAC	01/21/94	1"=40'	D.P.	94044 B-EROS.DWG	C-13