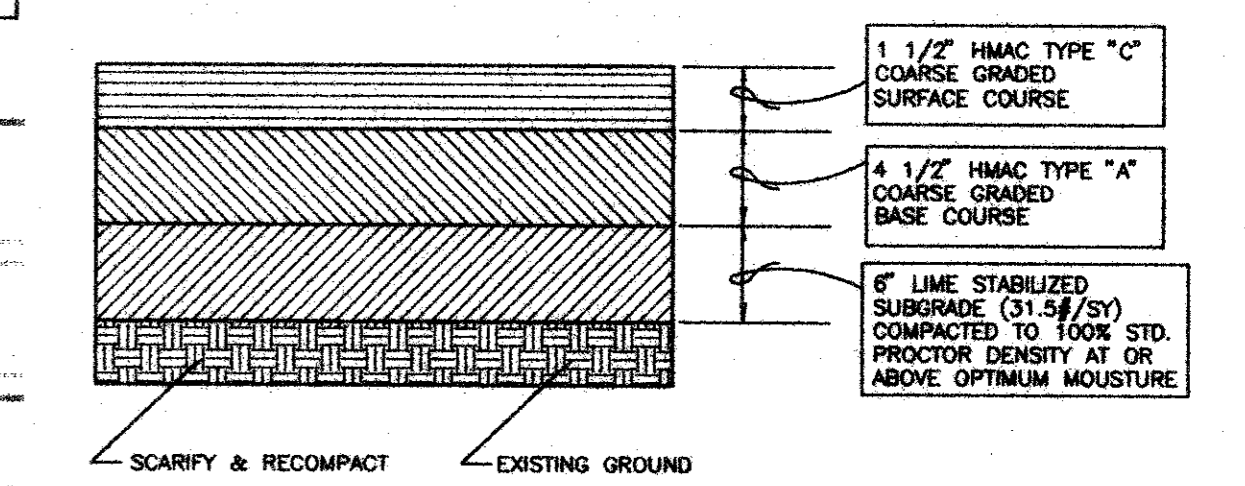
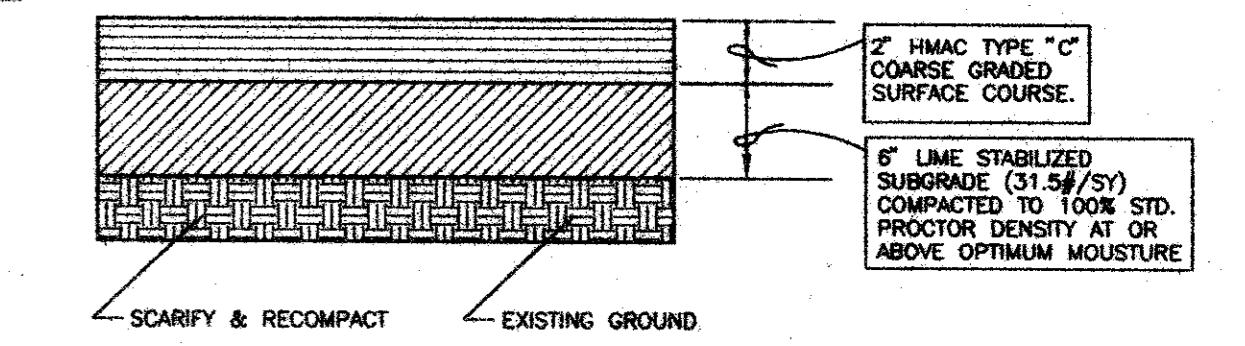


CONCRETE PAVEMENT SECTION
(TRUCK DOCKS & DUMPSTER PADS)
N.T.S.



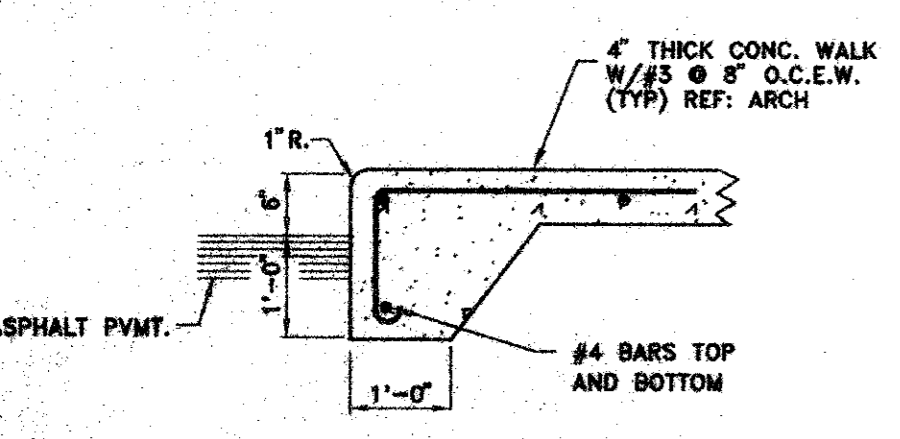
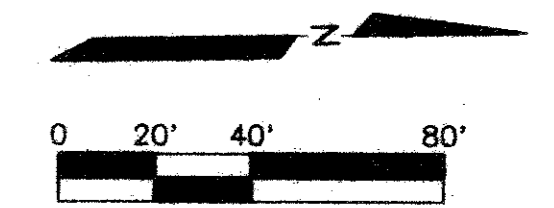
HEAVY DUTY ASPHALT PAVEMENT SECTION
N.T.S.



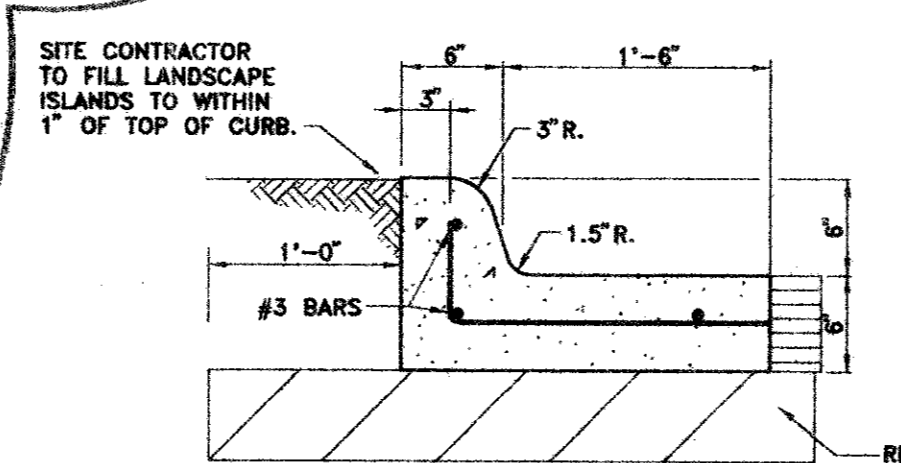
LIGHT DUTY ASPHALT PAVEMENT SECTION
N.T.S.

LEGEND

- REMOVE EXISTING PAVEMENT
- HEAVY DUTY ASPHALT PAVING
- LIGHT DUTY ASPHALT PAVING
- 7\"/> REINFORCED CONCRETE PAVING
- 1\"/> ASPHALT OVERLAY

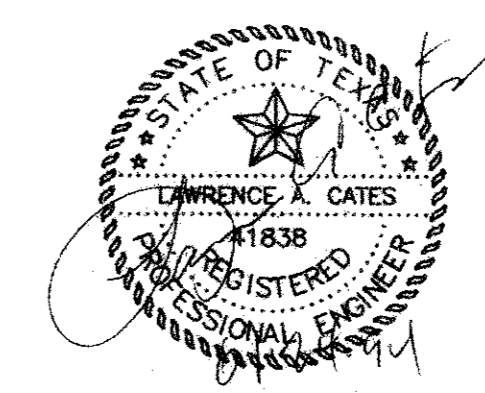


0.2 TURN DOWN SIDEWALK DETAIL
N.T.S.



0.1 MONOLITHIC CURB DETAIL
N.T.S. (W/ASPHALT)

THE SEAL APPEARING ON THIS DOCUMENT WAS AUTHORIZED BY LAWRENCE A. CATES, P.E. 41838 ON 01/21/94



REV	DATE	DESCRIPTION
1	12/07/94	REV. LIMITS OF SITE CONSTR. ADDED CONC. PAD @ COMPUSA SE CORNER
2	12/24/94	ADDED 1\"/> ASP. OVERLAY
3	5/12/94	ADDED BABY SUPERSTORES
4	6/06/94	ADDED DUMPSTER PAD WEST SIDE OF BABY SUPERSTORES

PAVING PLAN					
COMP USA					
ADDISON TOWN CENTER					
TOWN OF ADDISON, TEXAS					
LAWRENCE A. CATES & ASSOC. CONSULTING ENGINEERS DALLAS, TEXAS					
DESIGN	DRAWN	DATE	SCALE	NOTES	FILE NO.
LAC	LAC	1/21/94	1\"/>=40'	D.P.	93059 PAVPLAN.DWG
					C-4