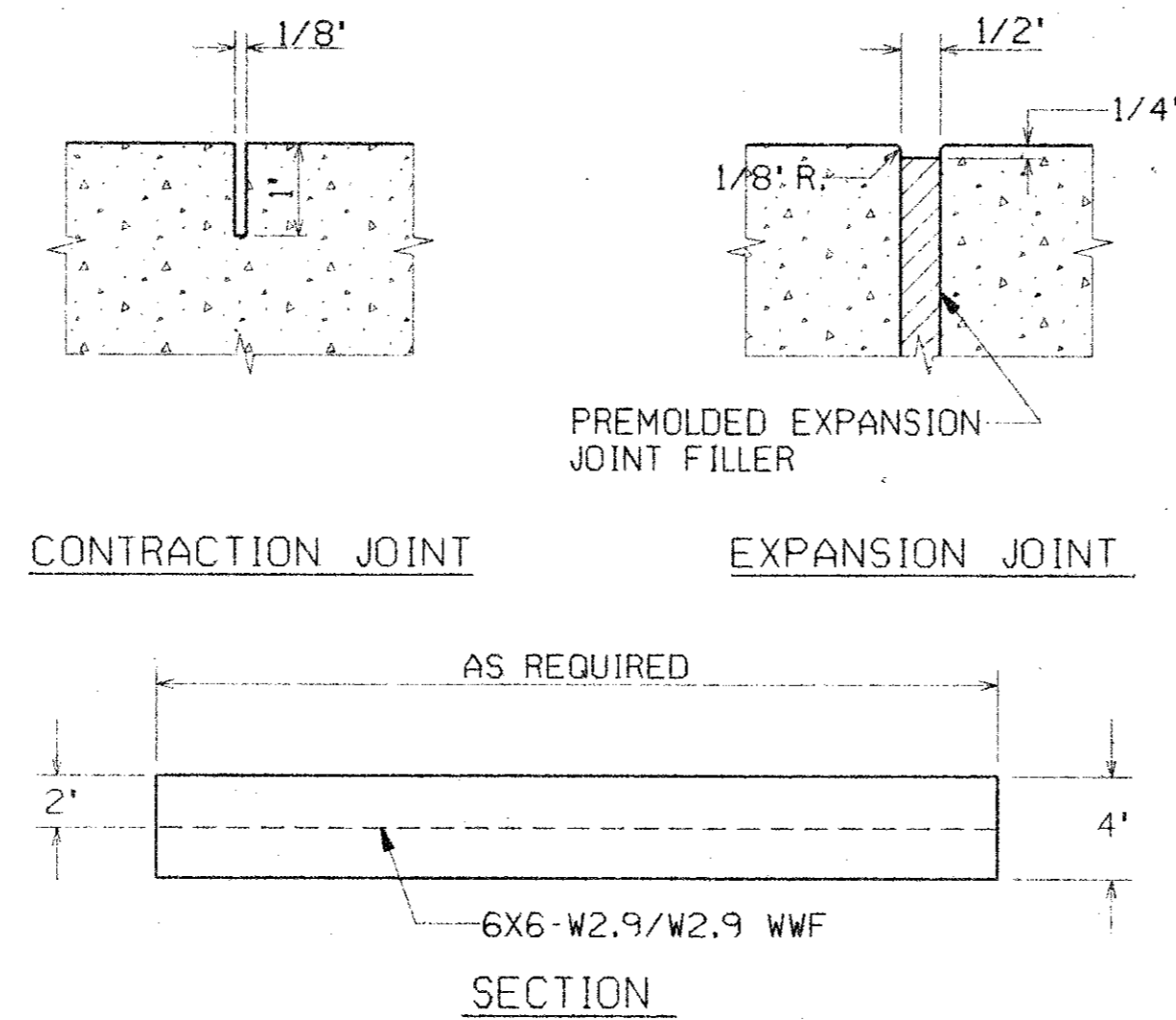


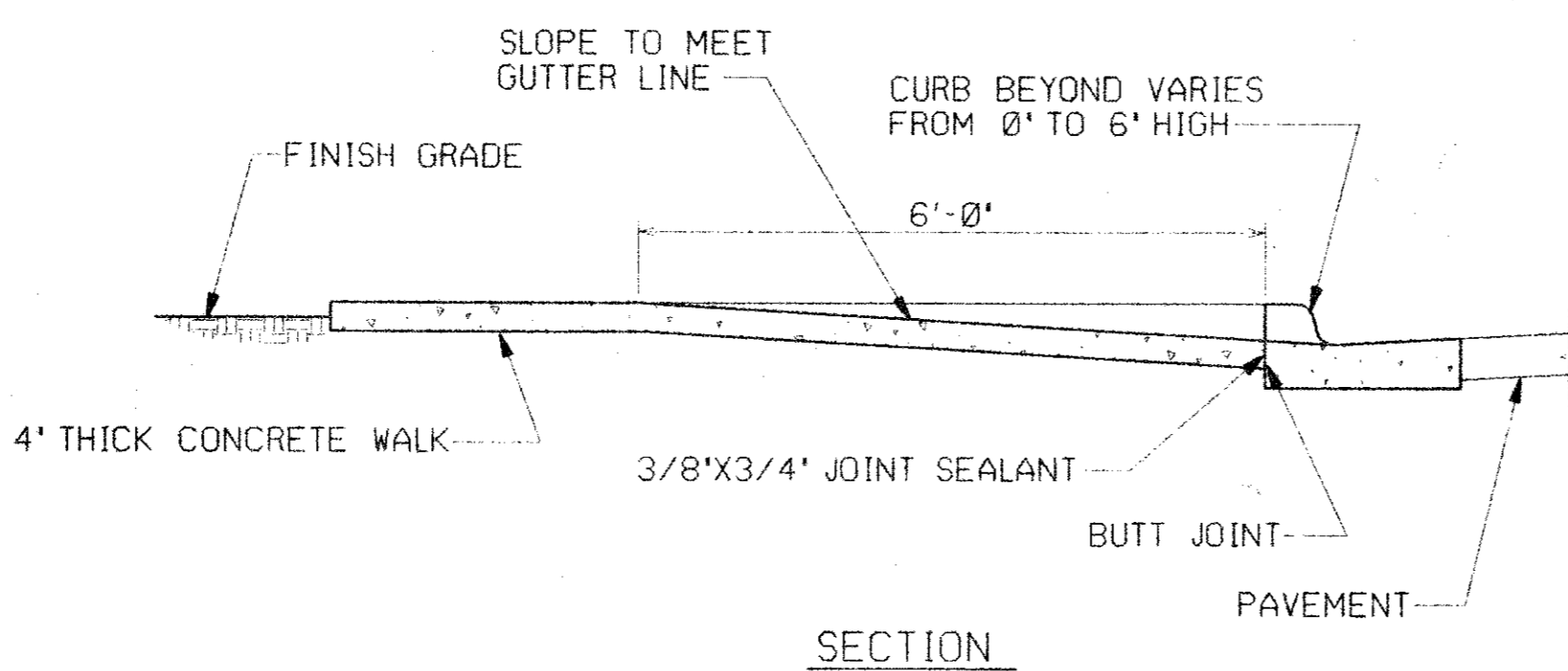
### 1 CONCRETE PAVEMENT W/ CURB AND GUTTER

1 N.T.S.



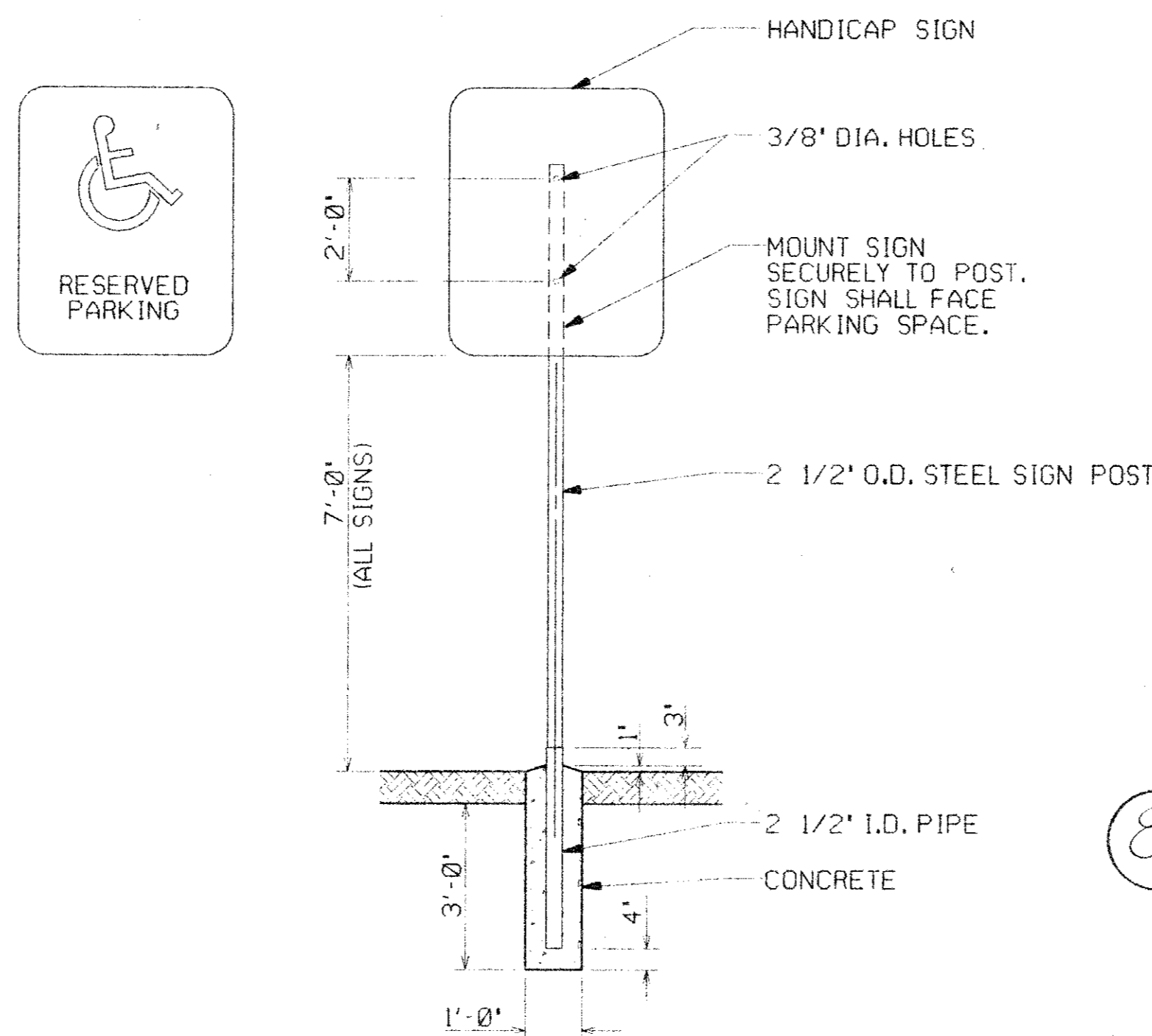
### 2 SIDEWALK DETAILS

2 N.T.S.



### 5 HANDICAPPED CURB-RAMP DETAIL

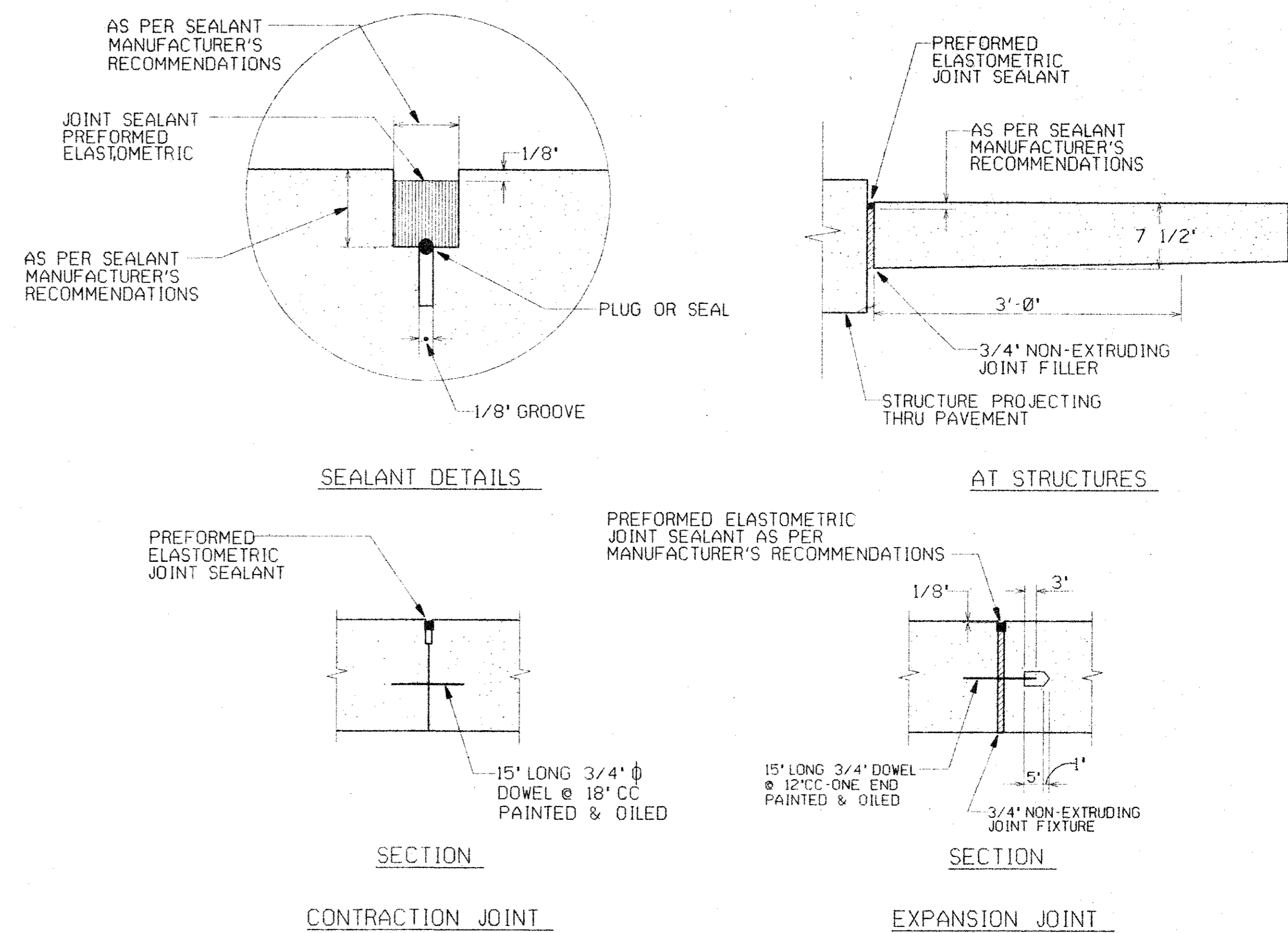
5 N.T.S.



### 7 HANDICAP SIGN MOUNTING DETAILS

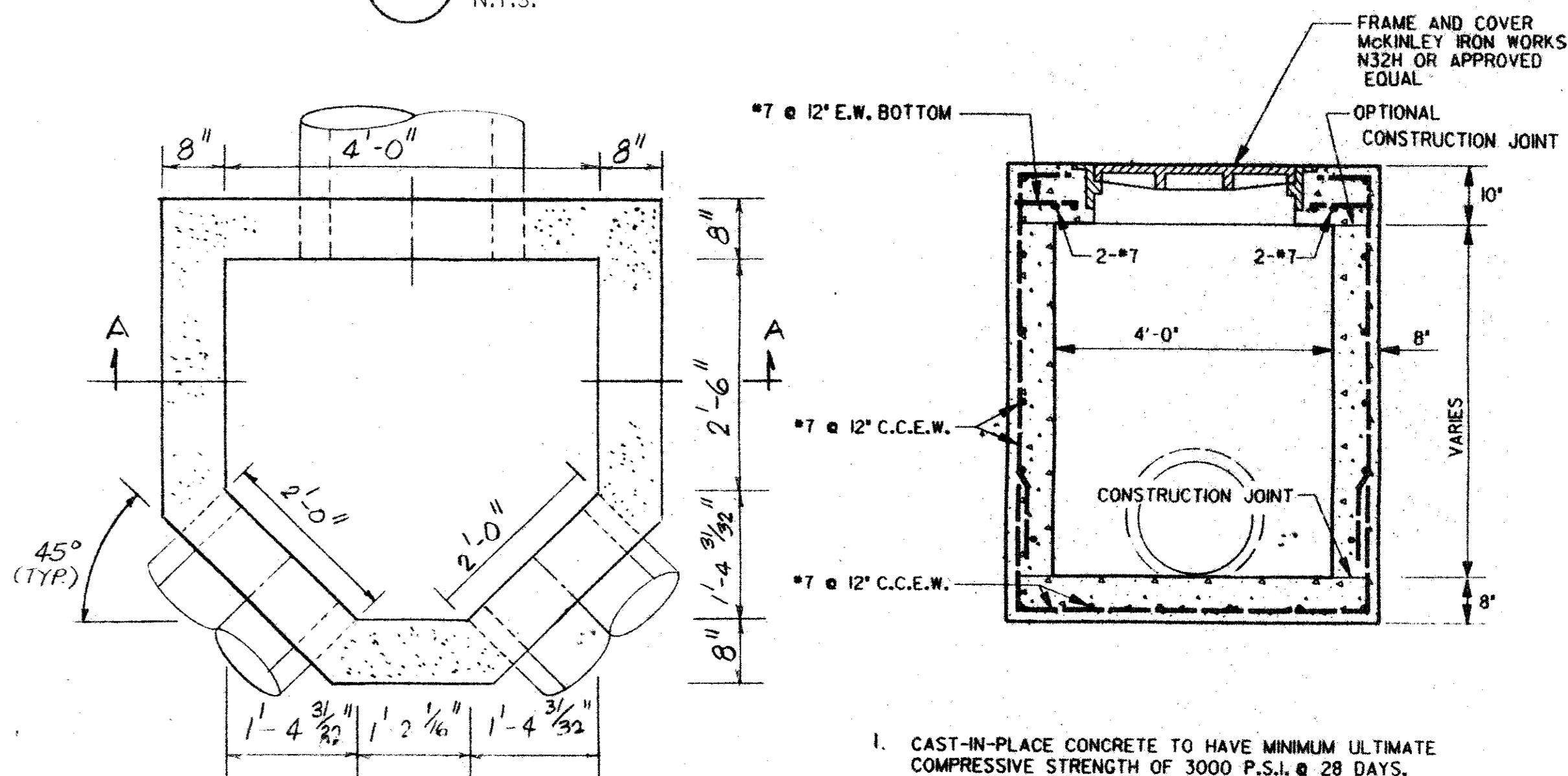
7 N.T.S.

HANDICAP SIGN SHALL CONFORM TO THE MANUAL ON UNIFORM TRAFFIC CONTROL DEVICES (DEPARTMENT OF TRANSPORTATION)



### 3 PAVEMENT JOINT DETAILS

3 N.T.S.



### 8 PLAN - 5 SIDE MANHOLE

SCALE: 3/4" = 1'-0"

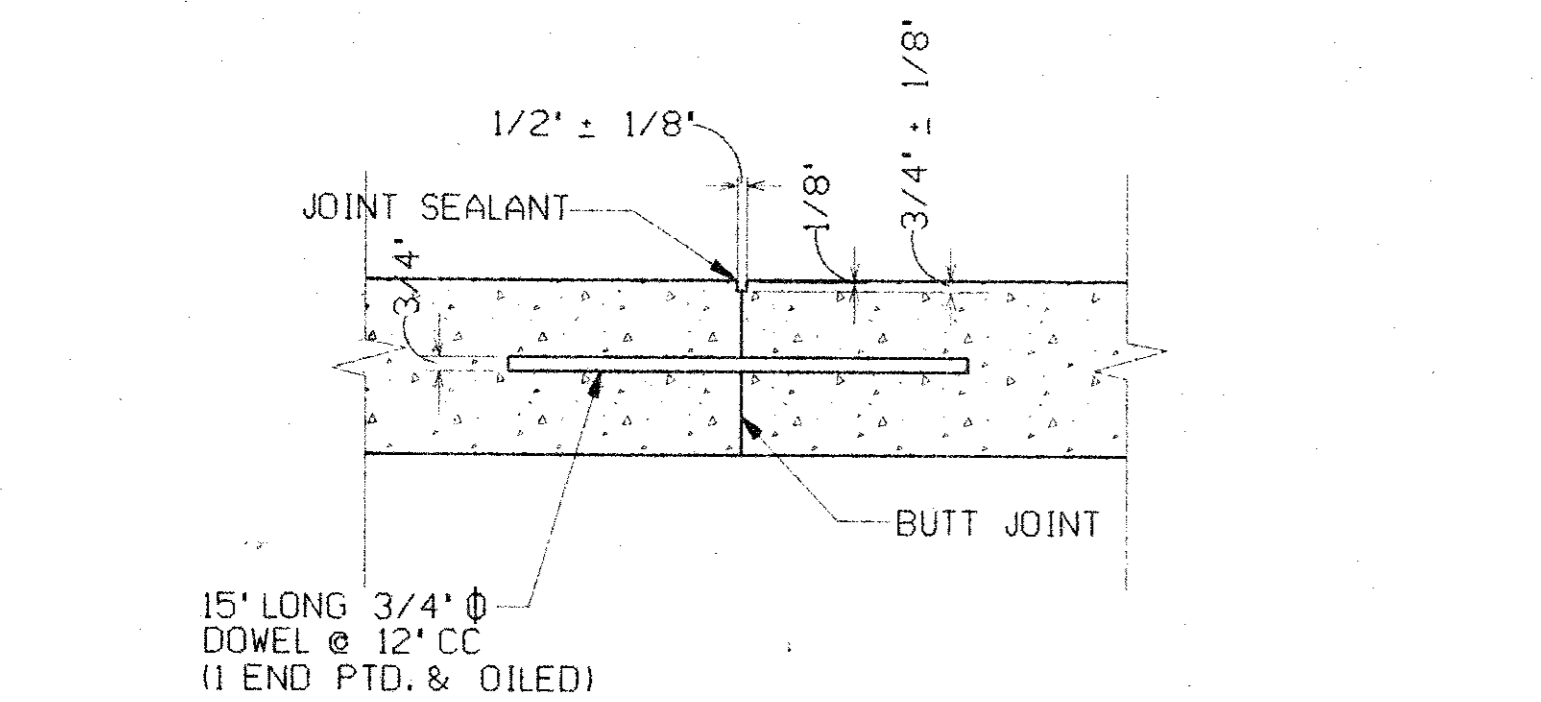
### SECTION A-A

N.T.S.

1. CAST-IN-PLACE CONCRETE TO HAVE MINIMUM ULTIMATE COMPRESSIVE STRENGTH OF 3000 P.S.I. @ 28 DAYS.
2. ALL LAPS AND EXTENSIONS OF REINFORCING BARS SHALL BE 30 DIA. MIN. EXCEPT AS OTHERWISE NOTED.

### 4 STANDARD CURB AND GUTTER

4 N.T.S.

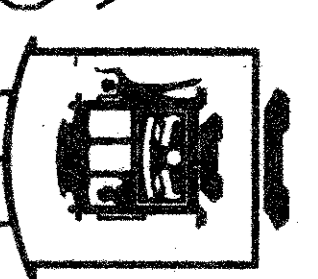


### 6 CONSTRUCTION JOINT

6 N.T.S.

REVISION DATA

SPAGHETTI WAREHOUSE, INC.  
6120 ALDWICK DRIVE GARLAND, TEXAS 75043  
1214226-6000 CONTACT - JAMES AITKEN



PROJECT DATA

ADDRESS 3820 BELT LINE ROAD  
CITY ADDISON  
STATE TEXAS

DATE 7/31/92

SHEET

A-1E

OF 20 A SHEETS



*James Aitken*