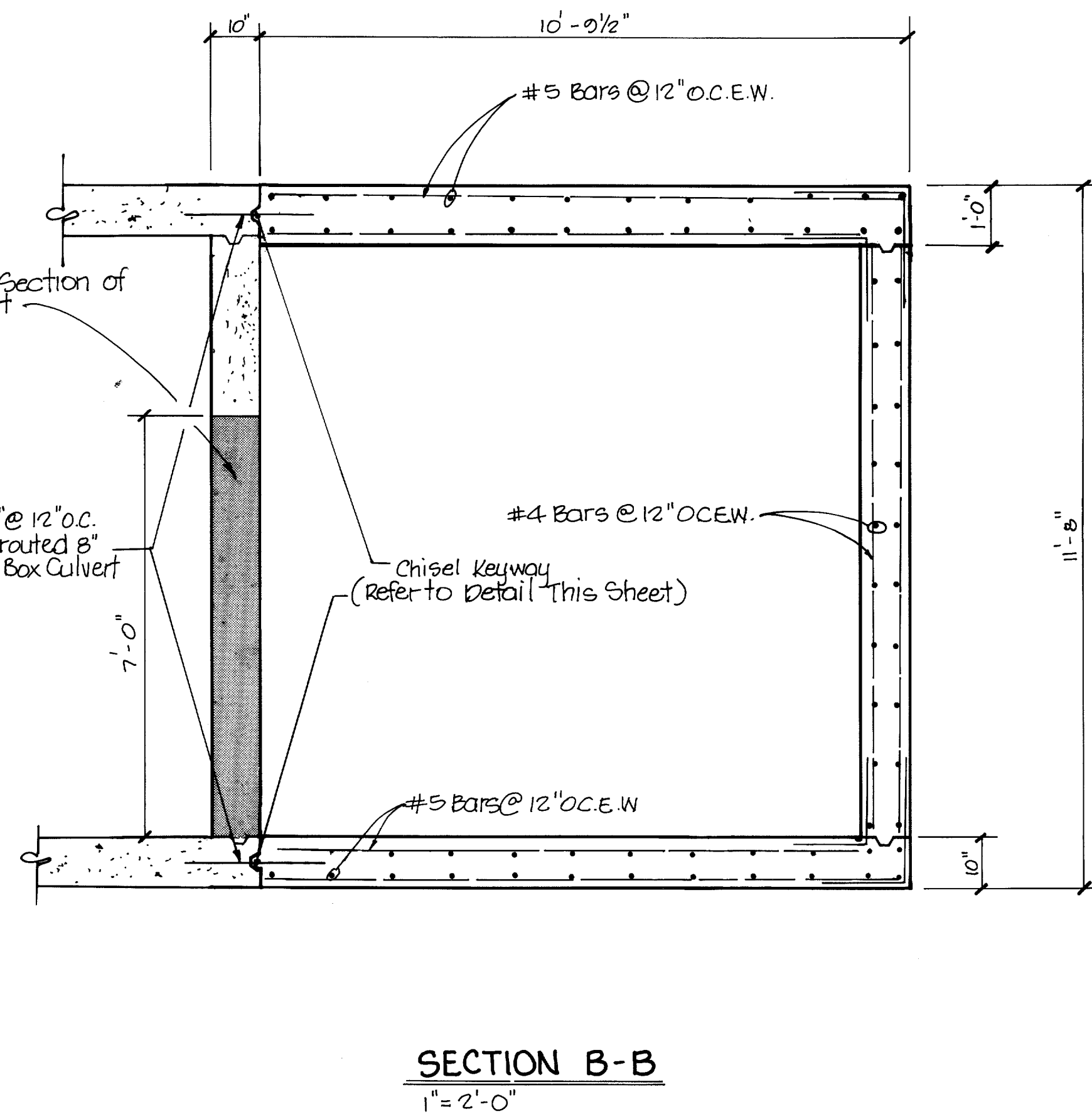
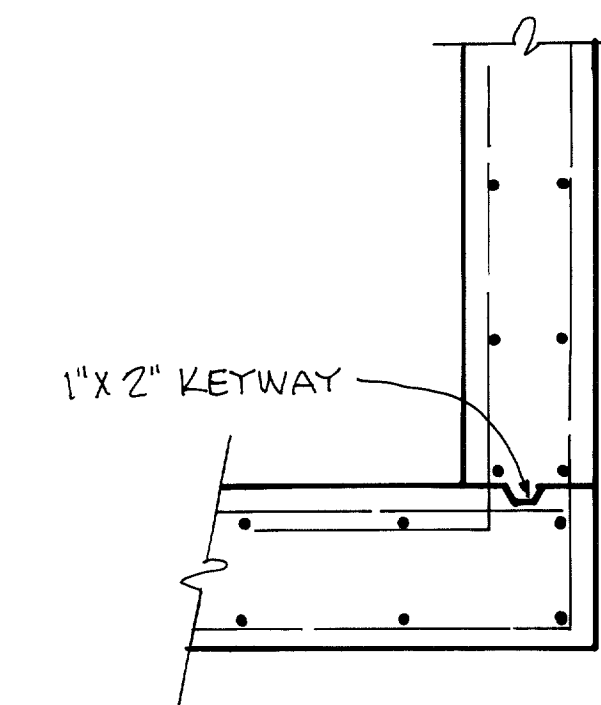


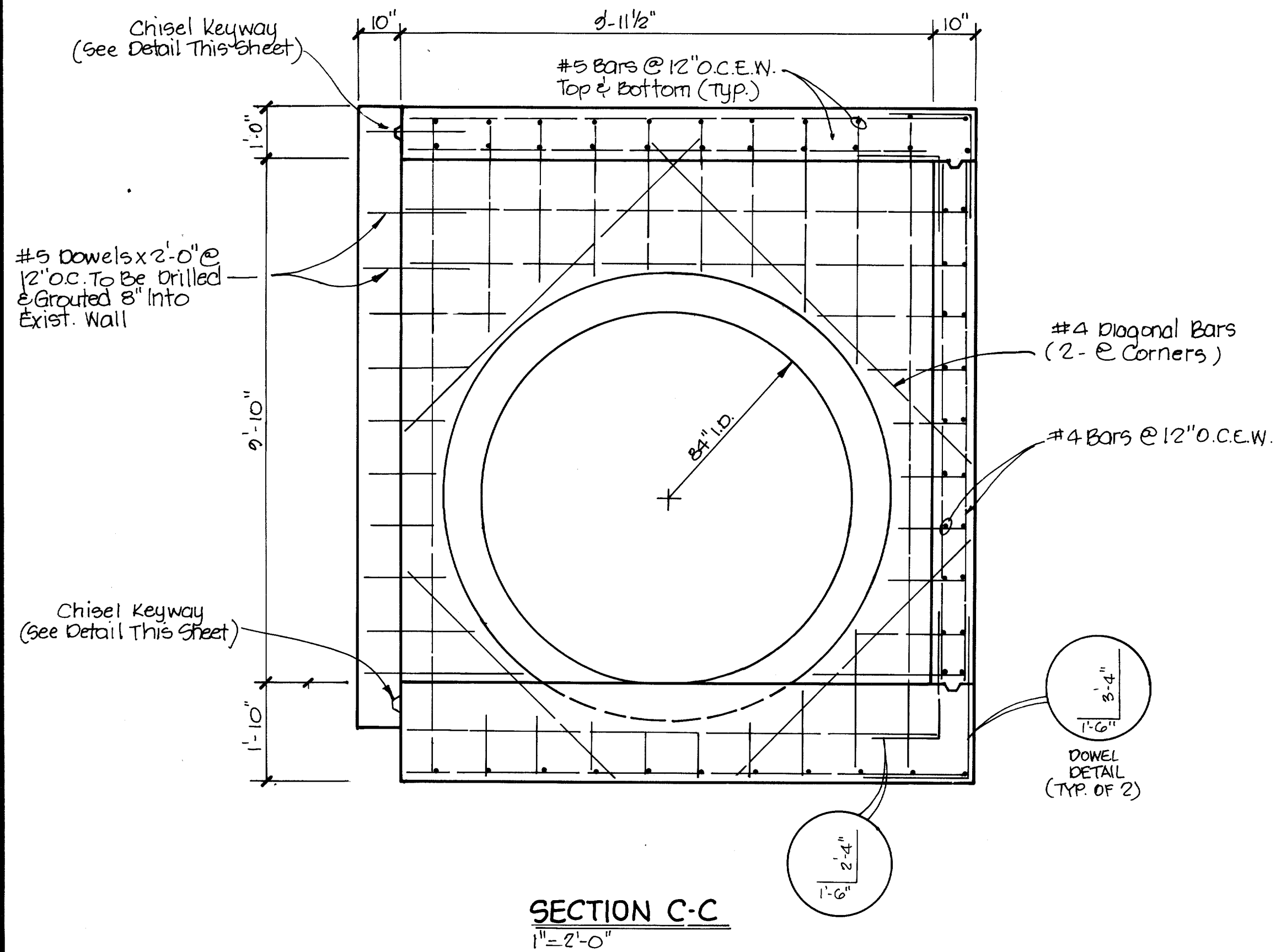
**SECTION A-A**  
1" = 2'-0"



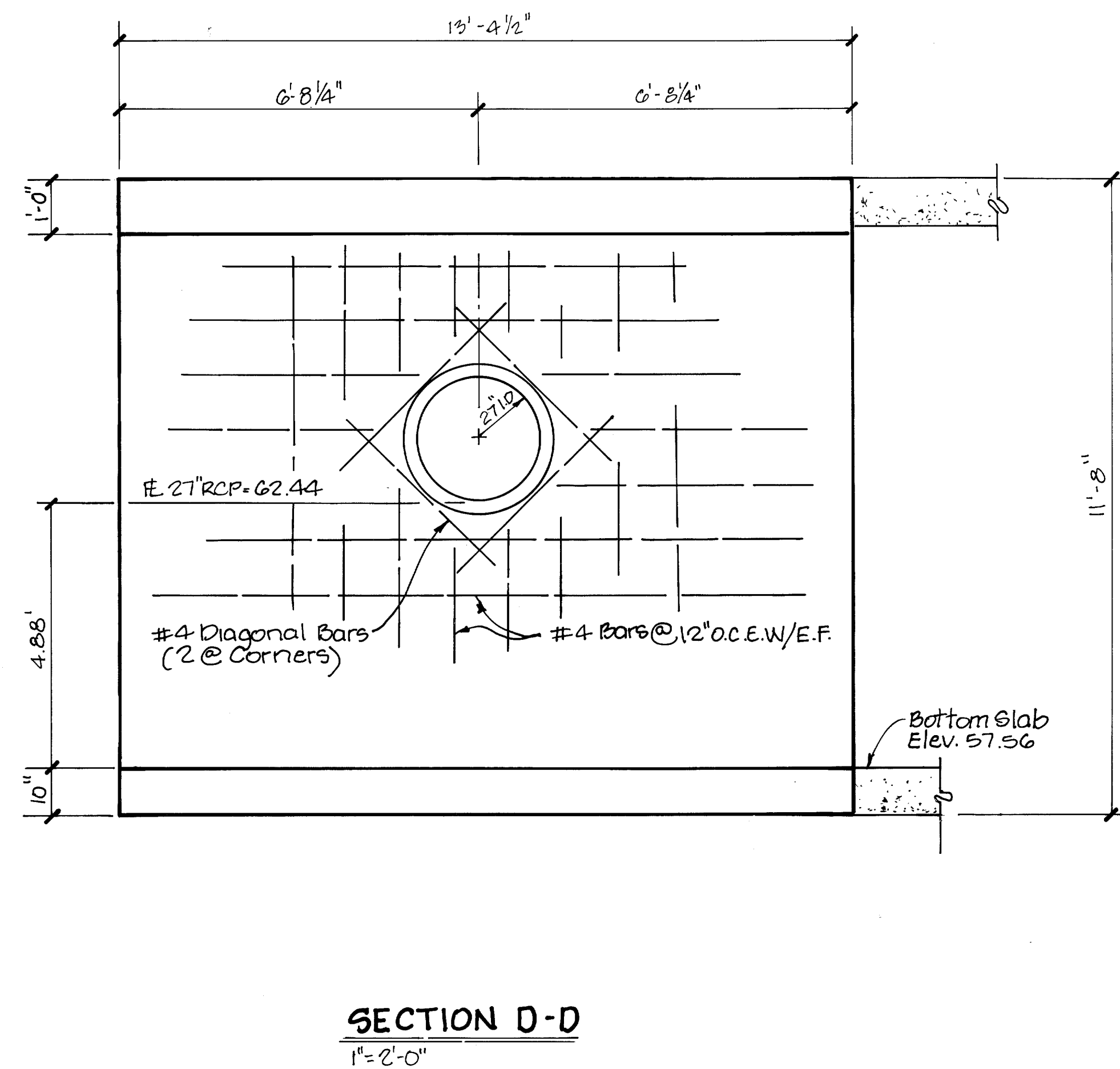
**SECTION B-B**  
1" = 2'-0"



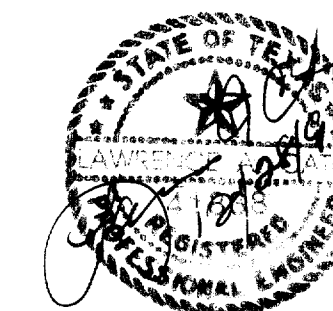
**TYPICAL KEYWAY DETAIL**  
NTS



**SECTION C-C**  
1" = 2'-0"



**SECTION D-D**  
1" = 2'-0"



AS-BUILTS  
I CERTIFY THIS PROJECT WAS CONSTRUCTED IN GENERAL CONFORMANCE WITH THESE CONSTRUCTION PLANS AND WILL FUNCTION AS DESIGNED.

• DENOTES CONCRETE REMOVAL

Rev: 6-10-93 Added 27" RCP To Junc. Box

84" RCP JUNCTION BOX DETAILS						
KMART NO. 4885						
BELTLINE AND MARSH						
ADDISON, TEXAS						
LAWRENCE A. CATES & ASSOC.					CONSULTING ENGINEERS DALLAS, TEXAS	
DESIGN	DRAWN	DATE	SCALE	NOTES	FILE	NO.
LAC	LAC	6-4-93	1" = 2'-0"		9102	C-17A



6-4-93