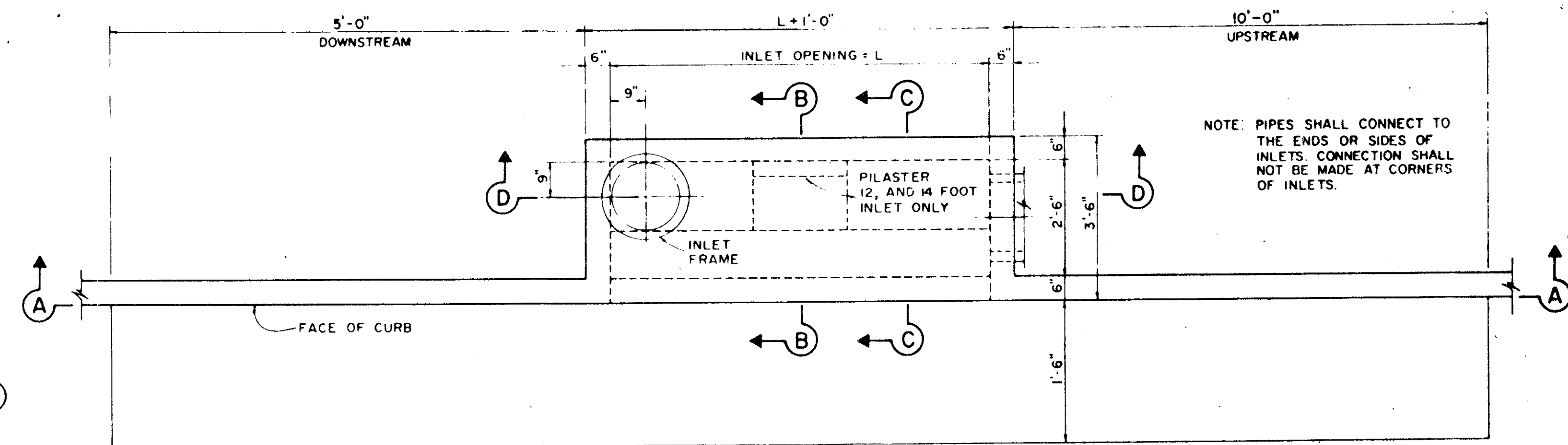
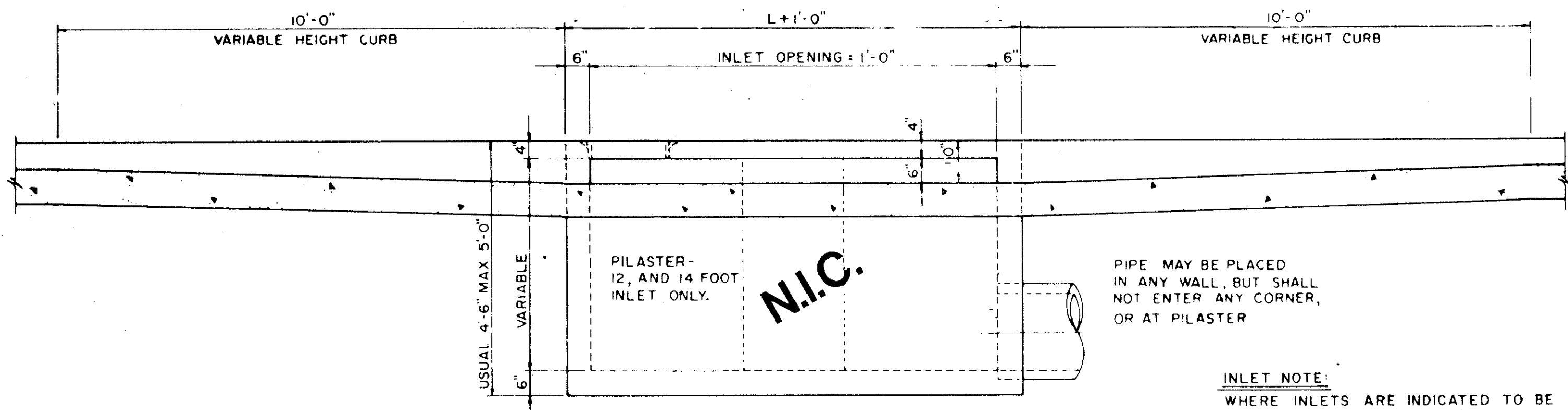


PLAN - RECESSED INLET

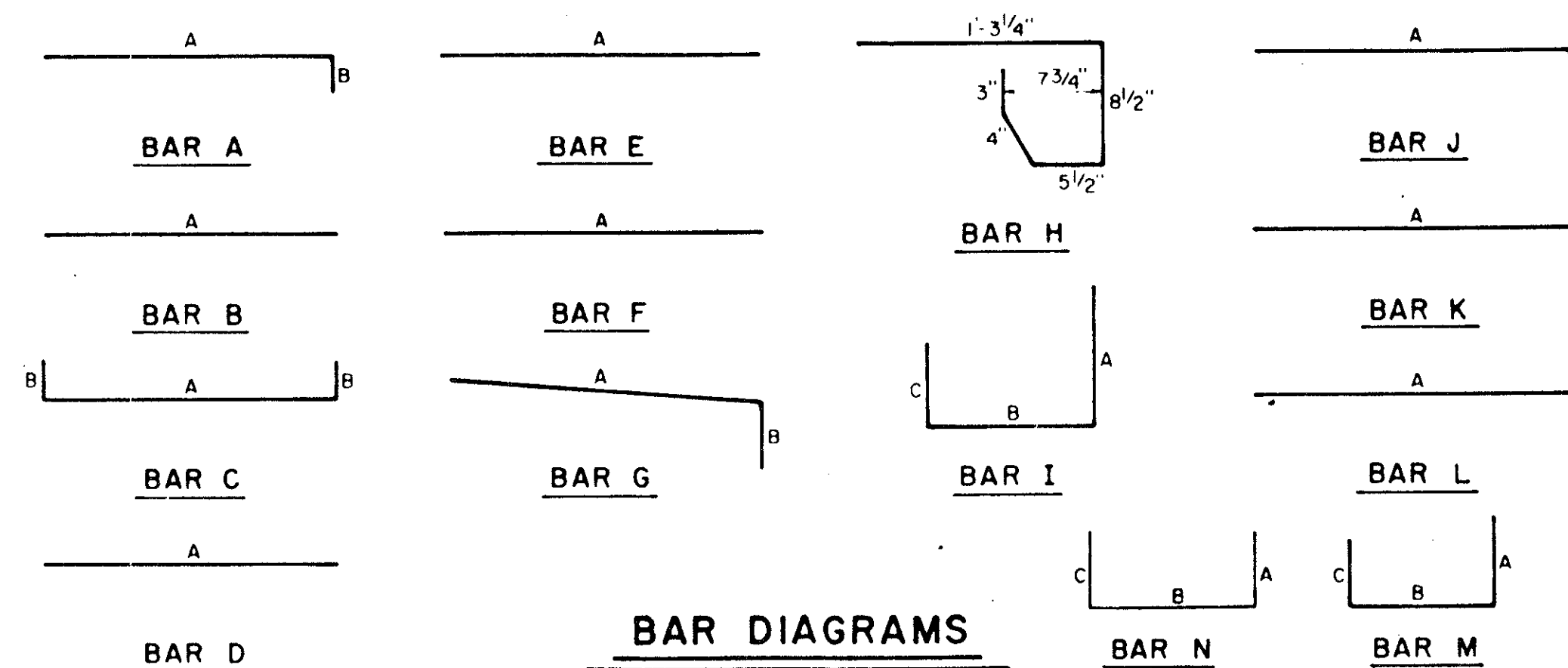


PLAN - STANDARD INLET



SECTION A-A-RECESSED AND STANDARD INLETS  
4, 6, 8, 10, 12, AND 14 FOOT INLETS

**INLET NOTE:**  
WHERE INLETS ARE INDICATED TO BE MODIFIED, REFER TO PLAN/PROFILE SHEETS FOR ELEV. DIFFERENT SIZES ON MODIFICATIONS. ALL OTHER ITEMS SHALL REMAIN AS SHOWN ON THIS STANDARD DETAIL SHEET



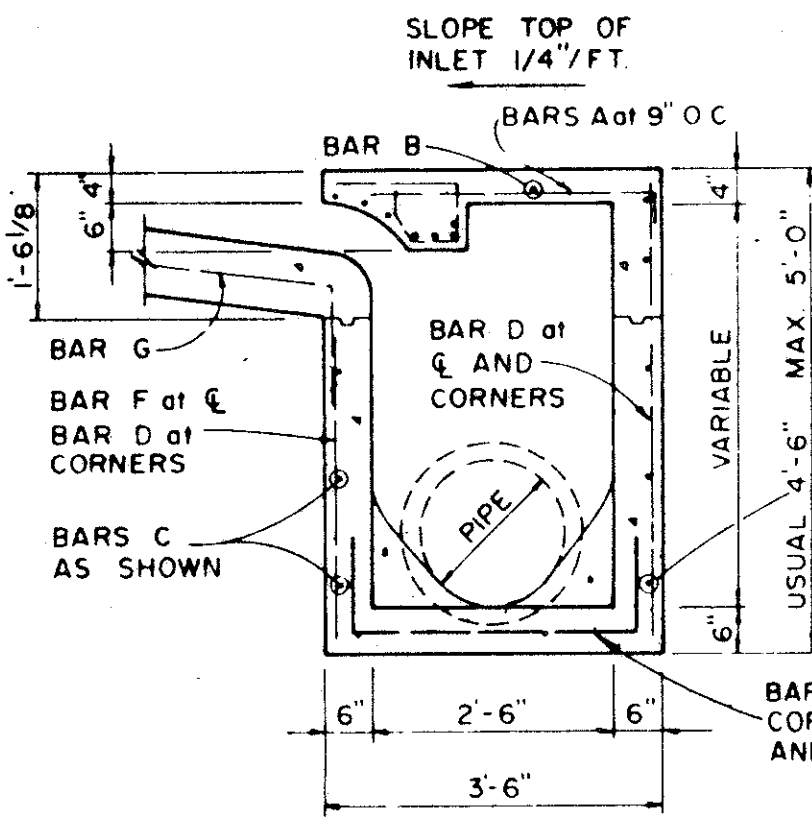
BAR DIAGRAMS

**REINFORCING STEEL SCHEDULE**

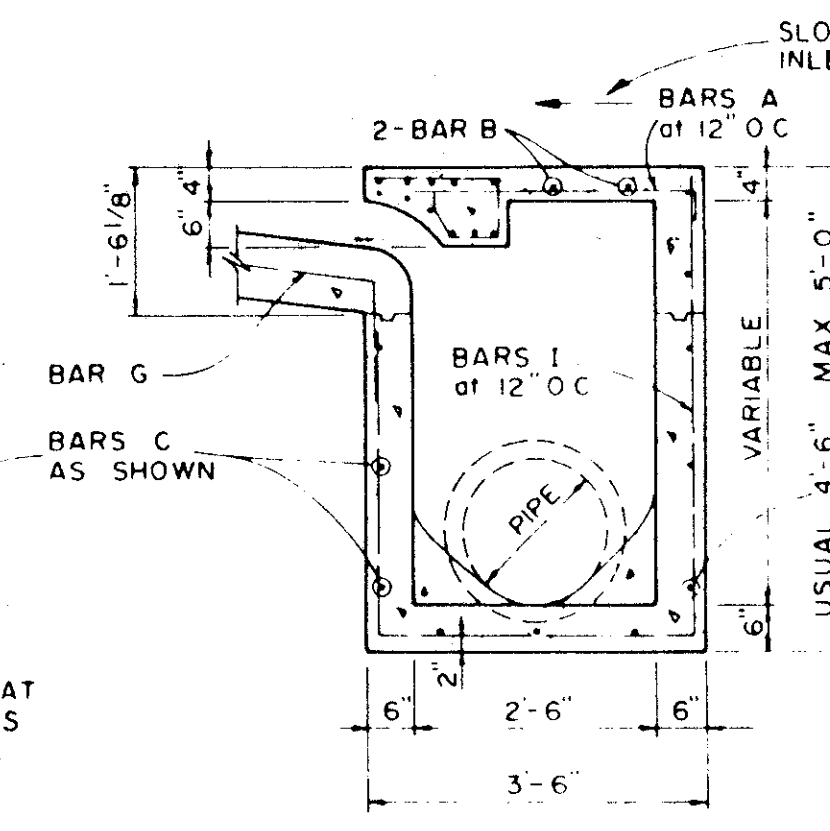
DIMENSIONS SHOWN ARE FOR MAXIMUM SIZE INLETS

INLET LENGTH	BAR TYPE	BAR DIA (1/8 IN)	NO. REQ'D	BAR DIMENSIONS			
				A	B	C	
4	A	3	6	3'-2"	0'-3"	-	
	B	3	1	2'-10"	-	-	
	C	4	15	4'-8"	0'-6"	-	
	D	4	5	4'-8"	-	-	
	F	4	1	3'-2"	-	-	
	G	3	5	2'-0"	1'-3"	-	
	H	3	4	*	*	*	
	N	3	3	3'-2"	3'-2"	3'-2"	
	A	3	9	3'-2"	0'-3"	-	
6	B	3	1	4'-10"	-	-	
	C	4	15	6'-8"	0'-6"	-	
	D	4	5	4'-8"	-	-	
	F	4	1	3'-2"	-	-	
	G	3	5	2'-0"	1'-3"	-	
	H	3	6	*	*	*	
	N	3	3	3'-2"	3'-2"	3'-2"	
	A	3	12	3'-2"	0'-3"	-	
	B	3	1	6'-10"	-	-	
8	C	4	15	8'-8"	0'-6"	-	
	D	4	5	4'-8"	-	-	
	F	4	1	3'-2"	-	-	
	G	3	5	2'-0"	1'-3"	-	
	H	3	8	*	*	*	
	N	3	3	3'-2"	3'-2"	3'-2"	
	A	3	10	3'-2"	0'-3"	-	
	B	3	2	8'-10"	-	-	
	C	4	16	10'-8"	0'-6"	-	
10	D	4	4	4'-8"	-	-	
	E	5	6	10'-8"	-	-	
	G	3	5	2'-0"	1'-3"	-	
	H	3	15	*	*	*	
	I	4	8	4'-8"	3'-2"	3'-2"	
	L	4	5	4'-3"	-	-	
	12	A	3	12	3'-2"	0'-3"	-
		B	3	2	10'-10"	-	-
		C	4	16	12'-8"	0'-6"	-
D		4	4	4'-8"	-	-	
E		5	6	12'-8"	-	-	
G		3	5	2'-0"	1'-3"	-	
H		3	18	*	*	*	
J		4	10	4'-8"	3'-2"	3'-2"	
J		5	9	3'-2"	1'-3"	-	
14	K	4	5	2'-3"	-	-	
	L	4	5	4'-3"	-	-	
	M	5	9	4'-3"	3'-2"	3'-9"	
	A	3	14	3'-2"	0'-3"	-	
	B	3	2	10'-10"	-	-	
	C	4	16	14'-8"	0'-6"	-	
	D	4	4	4'-8"	-	-	
	E	5	6	14'-8"	-	-	
	G	3	5	2'-0"	1'-3"	-	
16	H	3	21	*	*	*	
	I	4	12	4'-8"	3'-2"	3'-2"	
	J	5	9	3'-2"	1'-3"	-	
	K	4	5	2'-3"	-	-	
	L	4	5	4'-3"	-	-	
	M	5	9	4'-3"	3'-2"	3'-9"	
	A	3	14	3'-2"	0'-3"	-	
	B	3	2	10'-10"	-	-	
	C	4	16	14'-8"	0'-6"	-	

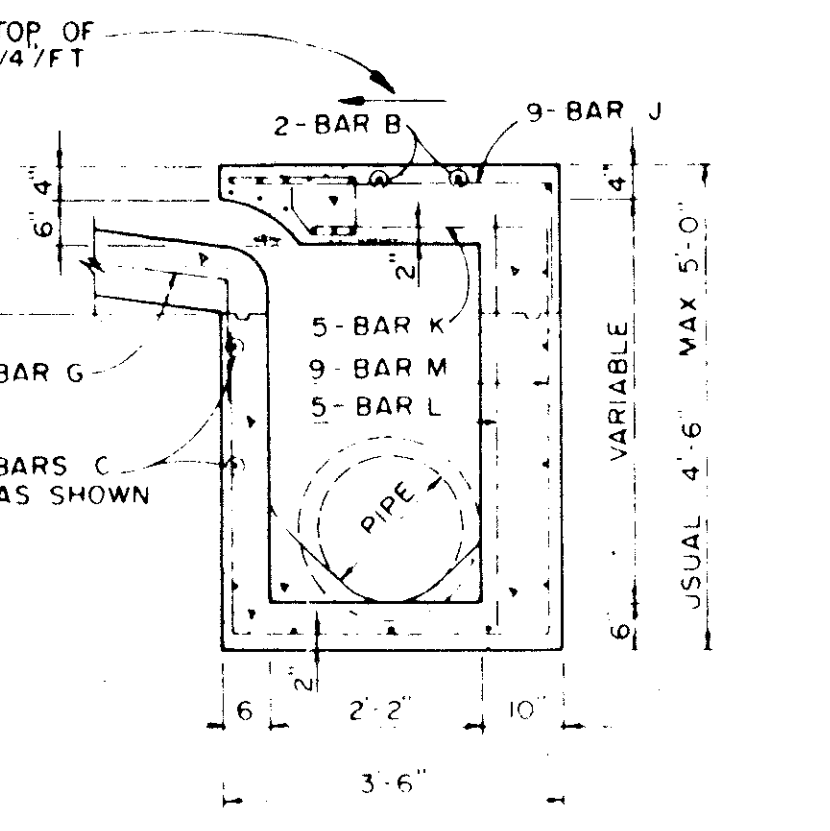
\* SEE DIAGRAM FOR DIMENSIONS



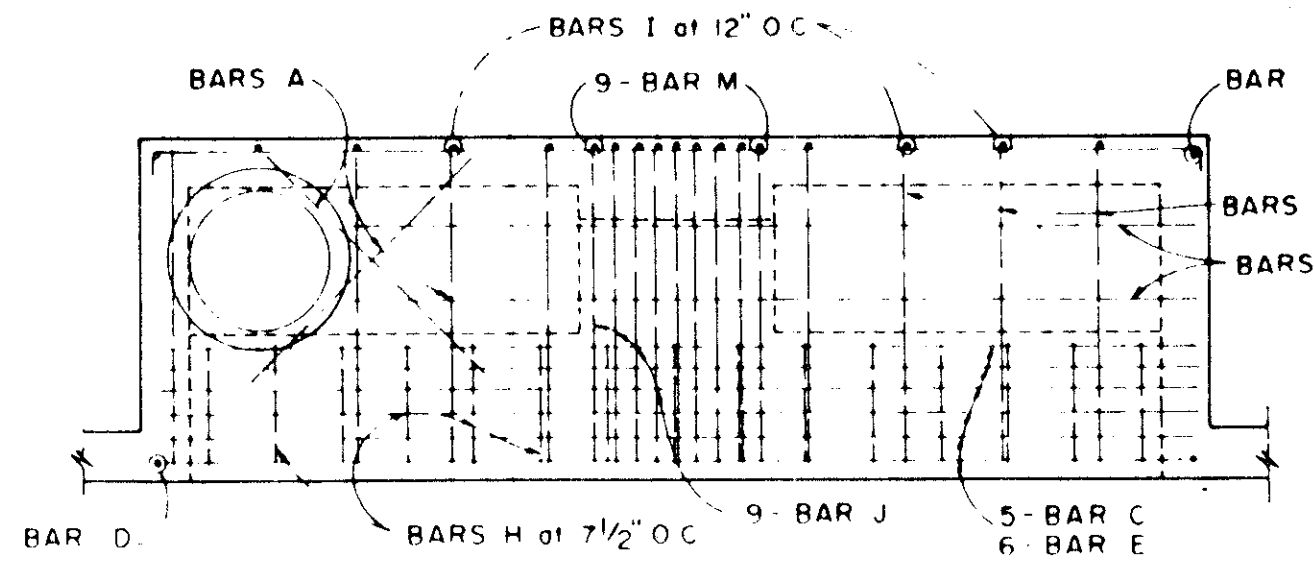
SECTION B-B



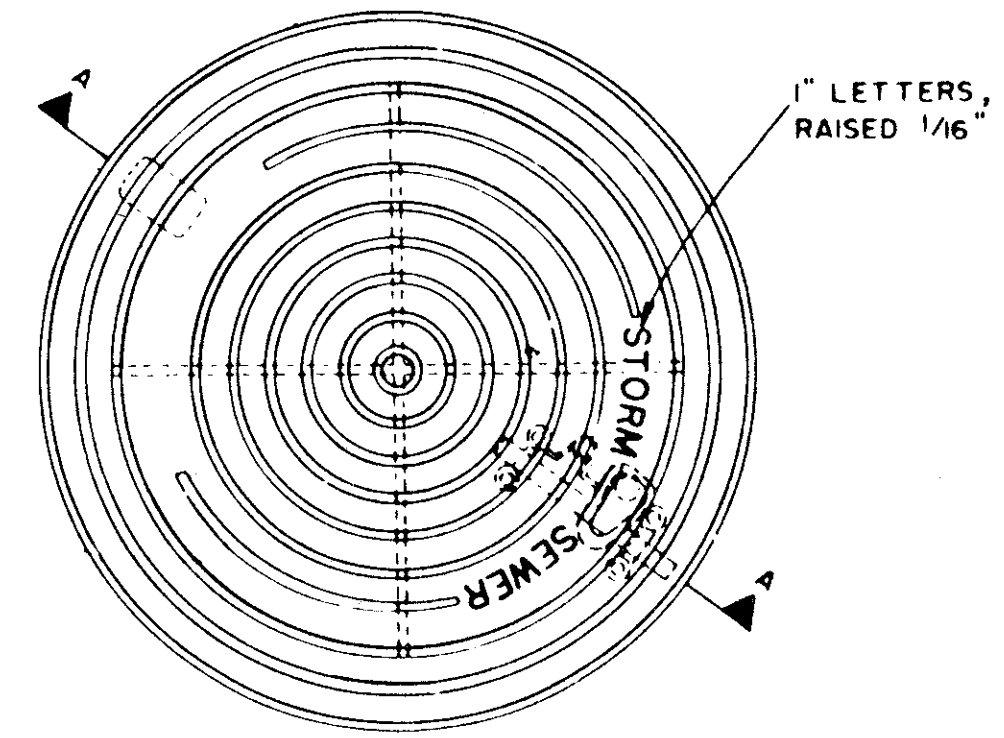
SECTION C-C



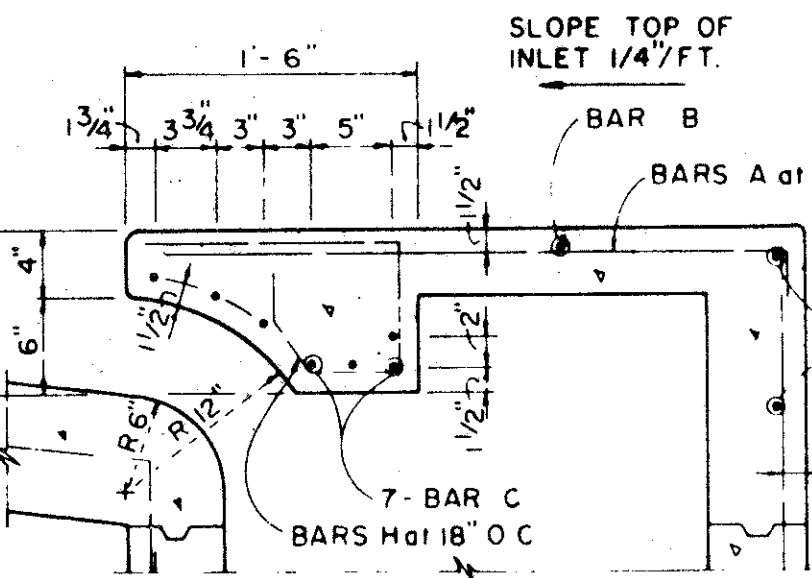
SECTION B-B



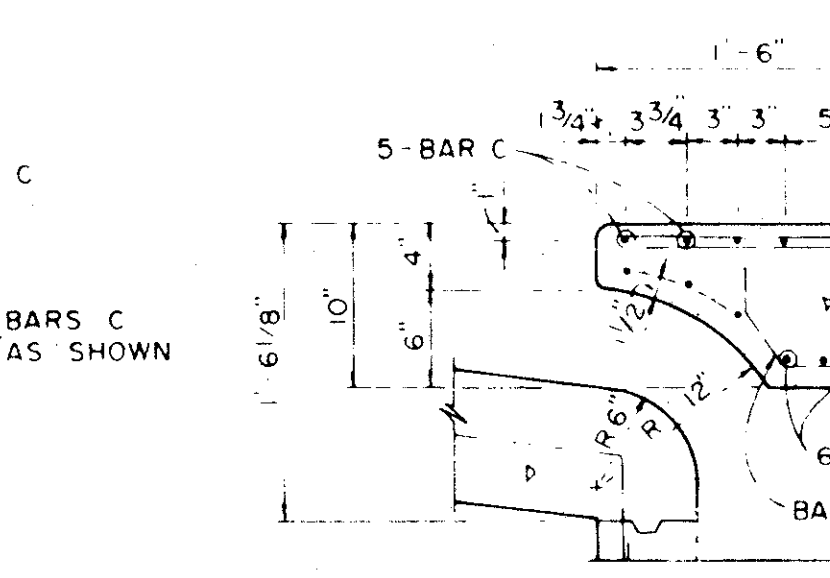
PLAN



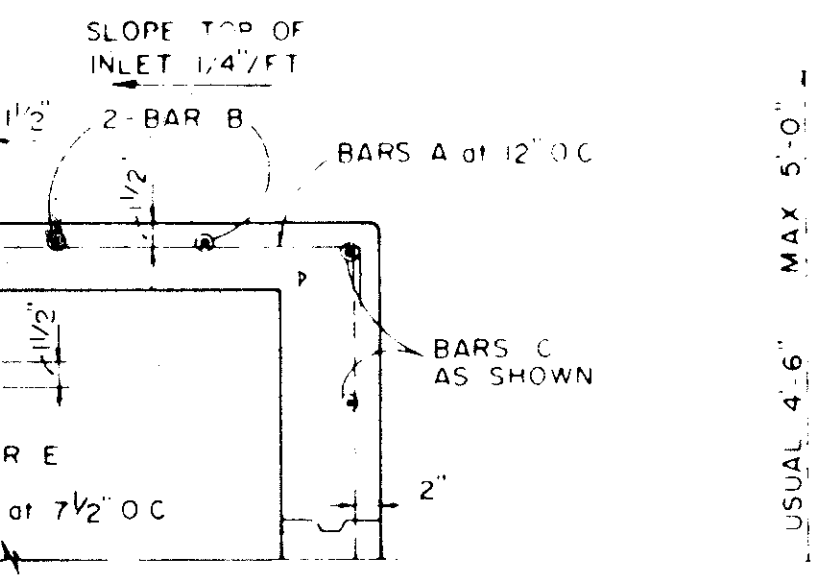
PLAN OF FRAME



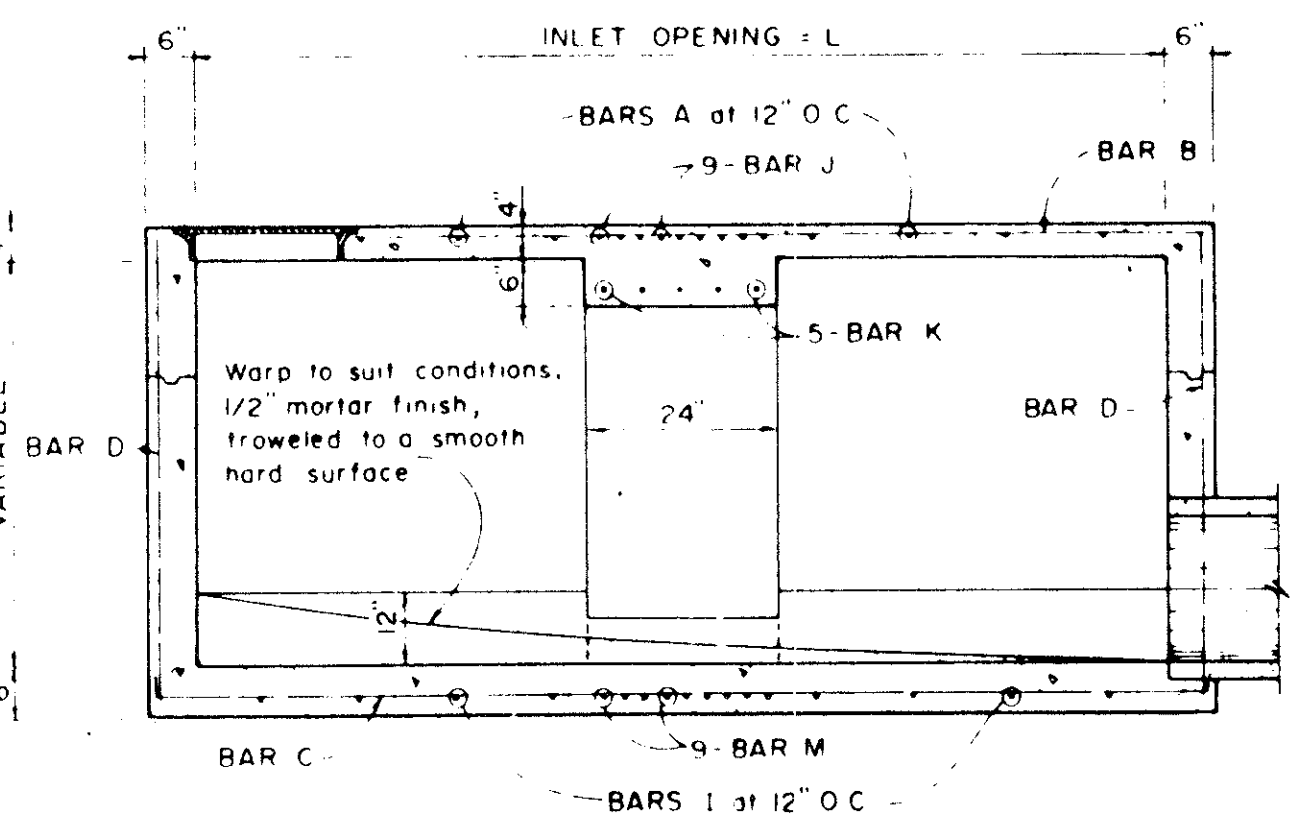
SECTION C-C



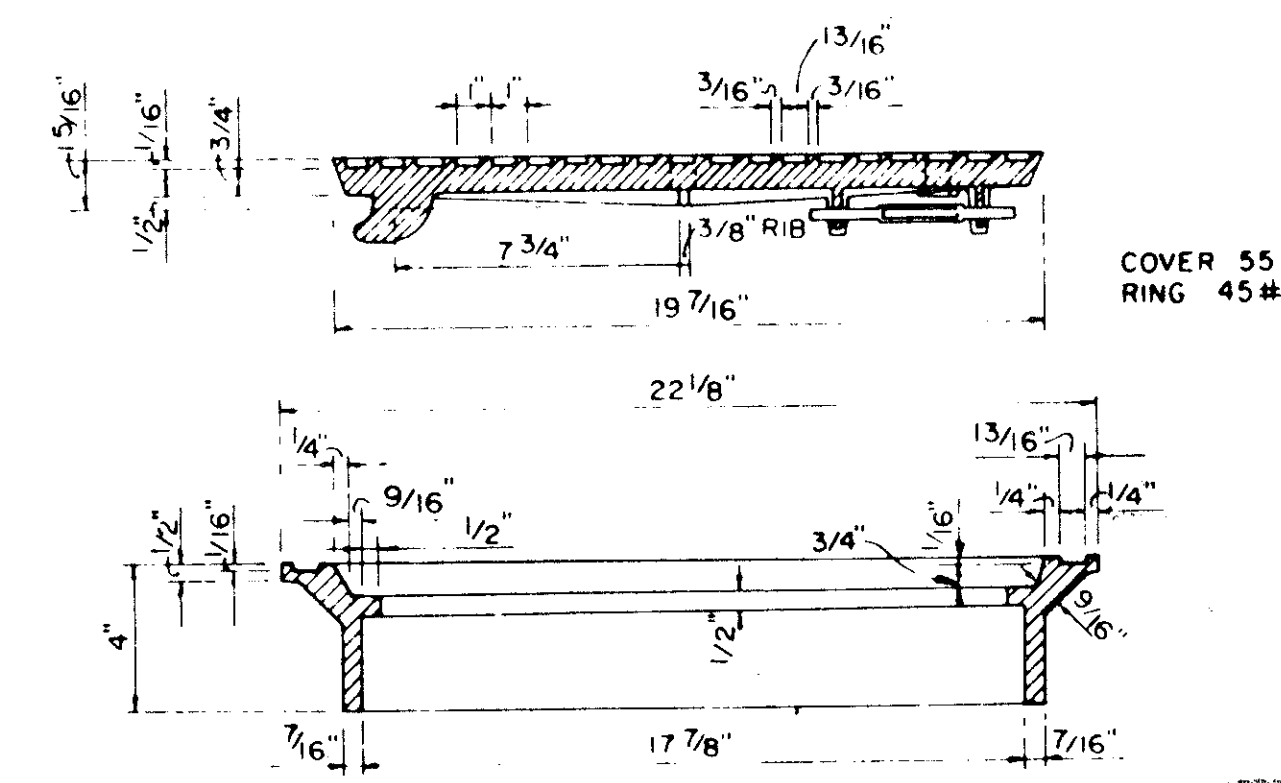
SECTION C-C



SECTION C-C



SECTION D-D FOR 12' & 14' ONLY



SECTION OF FRAME AND COVER

INLET FRAME AND COVER

TOWN OF ADDISON, TEXAS  
DEPARTMENT OF ENGINEERING  
**STANDARD CONSTRUCTION DETAILS**  
**STORM DRAINAGE**  
**CURB INLETS**

Designed -	Drawn -	Date -	Job No. -
Approved -	Checked -	Scale -	Sheet SD-3

